



# ROHRFLEX

**KATALOG PROIZVODA  
PRODUCT CATALOGUE**



[www.rohrflex.hr](http://www.rohrflex.hr)

**HYDRA®**

**Xtraflex**



**SEMPERIT** 

<b>1 METALNA FLEKSIBILNA CRIJEVA (METAL FLEXIBLE HOSES)</b> .....	<b>1</b>
1.1 VALOVITA METALNA FLEKSIBILNA CRIJEVA (CORRUGATED HOSES) .....	1
1.1.1 RS 330/331 .....	2
1.1.2 RS 321 .....	4
1.1.3 RS 341 .....	6
1.1.4 RS 531 .....	8
1.1.5 RS 430 .....	10
1.1.6 RZ 331 .....	12
1.1.7 RS 351 .....	14
1.2 SPIRALNO PLETENE FLEKSIBILNE CIJEVI (STRIPWOUND HOSES) .....	15
1.2.1 SG TYPE WITHOUT COATING .....	16
1.2.2 SG TYPE WITH PVC COATING .....	21
1.2.3 TYPE SD .....	24
1.2.4 TYPE SV .....	28
<b>2 PTFE CRIJEVA (PTFE HOSES)</b> .....	<b>30</b>
2.1 GLATKA PTFE CRIJEVA (SMOOTH PTFE HOSES) .....	32
2.1.1 TUBE-FLOW-T (A/T) .....	32
2.1.2 TUBE-FLOW-P (A/P) .....	34
2.1.3 SPEED-FLOW-B (A/B) .....	36
2.1.4 SPEED-FLOW-SI (A/SI) .....	38
2.1.5 SPEED-FLOW-D/1/B (D/1/A/B) .....	40
2.1.6 SPEED-FLOW-S (A/S) .....	42
2.1.7 SPEED-FLOW-S/B1 (A/S/B1) .....	44
2.2 VALOVITA PTFE CRIJEVA (CONVOLUTED PTFE HOSES) .....	46
2.2.1 CONVO-FLOW-S .....	46
2.2.2 CONVO-FLOW-S/B1 .....	48
2.2.3 CONVO-FLOW-S/W1 .....	50
2.2.4 CONVO-FLOW-S/W1/B1 .....	52
2.2.5 CONVO-FLOW-S/W1/B6 .....	54
<b>3 HIDRAULIČNA CRIJEVA (HYDRAULIC HOSES)</b> .....	<b>56</b>
3.1 HIDRAULIČNA CRIJEVA DIN EN 853 .....	56
3.2 HIDRAULIČNA CRIJEVA ZA VRUĆA ULJA (HYDRAULIC HOSES FOR HOT OIL APPLICATION) .....	59
3.3 KOMPAKTNA HIDRAULIČNA CRIJEVA (COMPACT HYDRAULIC HOSES) .....	60
3.4 MULTISPIRALNA HIDRAULIČNA CRIJEVA (MULTISPIRALS HYDRAULIC HOSES) .....	66
<b>4 INDUSTRIJSKA CRIJEVA (INDUSTRIAL HOSES)</b> .....	<b>69</b>
4.1 PREHRAMBENE TEKUĆINE (FOOD LIQUIDS) .....	69

4.2 CRIJEVA OTPORNA NA HABANJE (ABRASION RESISTANT HOSES).....	75
4.3 TOPLA VODA I VODENA PARA (HOT WATER AND STEAM) .....	80
4.4 CRIJEVA ZA KEMIKALIJE (CHEMICAL PRODUCTS HOSES).....	86
4.5 NAFTA I NAFTNI DERIVATI, HIDRAULIČNO ULJE(PETROLEUM AND PETROLEUM PRODUCTS) 93	
4.6 ZRAK I PLIN (AIR AND GAS HOSES) .....	97
<b>5 PRIKLJUČNI ELEMENTI (COUPLINGS).....</b>	<b>100</b>
5.1 VISOKOTLAČNI HIDRAULIČNI PRIKLJUČCI (HYDRAULIC HIGH PRESSURE HOSE FITTINGS) ....	100
5.2 PRIKLJUČCI ZA METALNA FLEKSIBILNA CRIJEVA ( METAL FLEXIBLE HOSE FITTINGS) .....	142
5.3 BRZE SPOJKE (QUICK RELEASE COUPLINGS) .....	146
5.4 NIPELI I REDUKCIJE (FITTINGS AND REDUCTIONS) .....	152

# 1 METALNA FLEKSIBILNA CRIJEVA (METAL FLEXIBLE HOSES)

---

## 1.1 Valovita metalna fleksibilna crijeva (Corrugated hoses)

Zbog svoje valovite strukture, metalna crijeva su fleksibilna i otporna na tlak.

Crijeva su nepropusna, otporna na temperaturu i koroziju, kao i na uvijanje i koriste se u sljedećim primjenama:

- za prijenos tekućina i plinova pod tlakom,
- Kao vakuumska cijev i
- Kao ekonomična, fleksibilna veza za apsorpciju gibanja, širenja topline i vibracija.

Kada su ispravno konfigurirana, HYDRA metalna crijeva su robusne komponente koje gotovo ne zahtijevaju održavanje s visokim stupnjem sigurnosti u radu i dugim vijekom trajanja.

Through their corrugated structure, metal hoses are flexible and pressure resistant. They are leakproof, temperature and corrosion resistant as well as torsionally rigid and are used in the following applications:

- For transport of liquids and gases under pressure,
- As vacuum pipe and
- As economic, flexible connection for absorbing movements, heat expansion and vibrations

When configured correctly, HYDRA metal hoses are robust and nearly maintenancefree components with a high degree of operational safety and a long service life.



Slika 1. Valovita metalna fleksibilna crijeva  
*Corrugated hoses*

### 1.1.1 RS 330/331

---

- Debljina stijenke: standard
- Valovitost: standard

#### Izvedbe:

- RS 330 / RS 331 S00 bez opleta
- RS 330 / RS 331 S12 sa jednim opletom

#### Standardna vrsta materijala:

- Valovite cijevi 1.4404 ili 1.4541
- Oplet 1.4301
- Ostale vrste materijala dostupne su na upit.

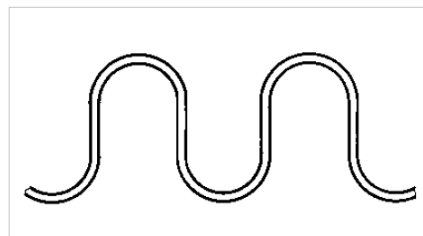
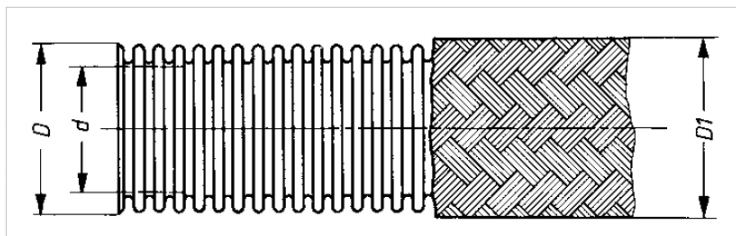
- Wall thickness: standard
- Corrugation: standard

#### Versions:

- RS 330 / RS 331 S00 without braid
- RS 330 / RS 331 S12 with single braid

#### Standard materials:

- Annularly corrugated hose 1.4404 or 1.4541, braid 1.4301
- Other materials are available on request



DN	Type	Inside diameter	Outside diameter	Permissible deviation	Minimum bending radius Single bend	Nominal bending radius Frequent movements	Permissible static operating pressure at 20 °C SF4	Nominal pressure ISO 10380 SF4	Weight approx.	
-	-	d	D,D1	d, D,D1	r <sub>min</sub>	r <sub>n</sub>	p <sub>perm</sub>	PN	-	
-	-	mm	mm	mm	mm	mm	bar	-	kg/m	
4	RS331S00	4,3	7,1	± 0,1	15	80	40		0,06	
	RS331S12		8,2		25		100		0,11	
6	RS331S00	6,2	9,7	± 0,2	15	80	28		0,08	
	RS331S12		10,8		25		150		0,14	
8	RS331S00	8,3	12,3		16	120	20		0,1	
	RS331S12		13,7				32		125	0,21
10	RS331S00	10,2	14,3		18	130	16		0,11	
	RS331S12		15,7				38		100	0,23
12	RS331S00	12,2	16,8		20	140	10		0,12	
	RS331S12		18,2				45		75	0,25
16	RS331S00	16,2	21,7		28	160	8		0,19	
	RS331S12		23,3				58		65	0,4
20	RS331S00	20,2	26,7	± 0,3	32	170	5		0,27	
	RS331S12		28,3		70		40		0,49	
25	RS331S00	25,5	32,2		40	190	4		0,38	
	RS331S12		34,2				85		65	0,79
32	RS331S00	34,2	41		50	260	2,5		0,49	
	RS331S12		43				105		25	0,96
40	RS331S00	40,1	49,7		60	300	2,5		0,77	
	RS331S12		52				130		40	1,46
50	RS331S00	50,4	60,3		± 0,4	70	320	1		0,91
	RS331S12		62,3			160		30		1,67
65	RS331S00	65,3	78	115		460	1	1	1,51	
	RS331S12		81,2				200	35	25	2,88
80	RS331S00	80,2	94,8	130		660	2	2	2,28	
	RS331S12		98				240	32	16	4,08
100	RS331S00	100	116,2	160		750	1	1	2,53	
	RS331S12		119,4				290	16	10	4,54
125	RS330S00	126,2	145	± 0,6		350	1000	0,5	0,5	2,68
	RS330S12		148,2					10	6	5,25
150	RS330S00	151,6	171	± 1,4	400	1250	0,5	0,5	3,41	
	RS330S12		174,2				10	6	6,48	



- Debljina stijenke: standard
- Valovitost: usko

Izvedbe:

- RS 321 S00 bez opleta
- RS 321 S12 sa jednim opletom

Standardna vrsta materijala:

- Valovite cijevi 1.4404 ili 1.4541
- Oplet 1.4301
- Ostale vrste materijala dostupne su na upit.

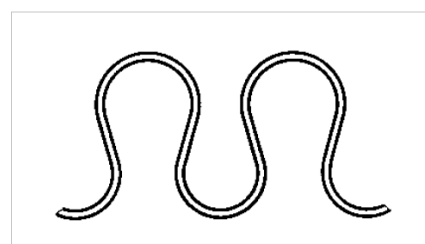
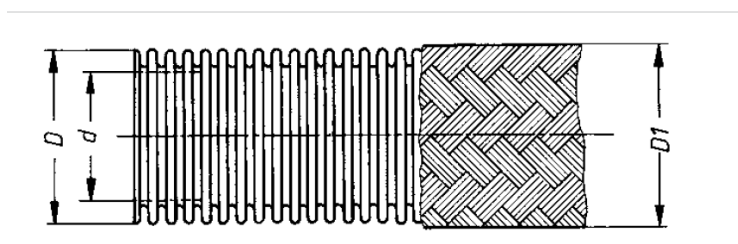
- Wall thickness: standard
- Corrugation: narrow

Versions:

- RS 321 S00 without braid
- RS 321 S12 with single braid

Standard materials:

- Annularly corrugated hose 1.4404 or 1.4541
- braid 1.4301
- Other materials are available on request.



DN	Type	Inside diameter	Outside diameter	Permissible deviation	Minimum bending radius Single bend	Nominal bending radius Frequent movements	Permissible static operating pressure at 20 °C SF4	Nominal pressure ISO 10380 SF4	Weight approx.
-	-	d	D,D1	d,D,D1	r <sub>min</sub>	r <sub>n</sub>	p <sub>perm</sub>	PN	-
-	-	mm	mm	mm	mm	mm	bar	-	kg/m
6	RS321S00	6,1	9,9	± 0,2	20	70	25	25	0,1
	RS321S12		11		25		100		
8	RS321S00	8,2	12,5		25	80	16	100	0,14
	RS321S12		13,9		30		100		
10	RS321S00	10,1	14,4		30	90	10	80	0,14
	RS321S12		15,8		35		80		
12	RS321S00	12,1	17		35	100	8	50	0,17
	RS321S12		18,4		40		50		
16	RS321S00	16,2	22		40	110	6	50	0,26
	RS321S12		23,6		50		50		
20	RS321S00	20,2	26,8		50	130	4	40	0,31
	RS321S12		28,4		55		40		
25	RS321S00	25,5	32,2	60	150	4	40	0,49	
	RS321S12		34,2	65		40			0,9
32	RS321S00	34,2	41	70	200	2,5	20	0,5	
	RS321S12		43	75		20			0,97
40	RS321S00	40	49,8	80	210	1	1	1,13	
	RS321S12		52,1	90		30			20
50	RS321S00	50,1	60,5	100	240	1	1	1,34	
	RS321S12		62,8	110		25			16
65	RS321S00	65	78,2	145	280	1	1	1,96	
	RS321S12		81,4	200		20			16
80	RS321S00	80	95	200	400	1	1	3,12	
	RS321S12		98,2	240		16			10
100	RS321S00	99,4	116,8	240	500	1	1	3,7	
	RS321S12		120	290		16			4



- Debljina stijenke: standard
- Valovitost: široka

Izvedbe:

- RS 341 S00 bez opleta
- RS 341 S12 sa jednim opletom

Standardna vrsta materijala:

- Valovite cijevi 1.4404 ili 1.4541
- Oplet 1.4301
- Ostale vrste materijala dostupne su na upit.

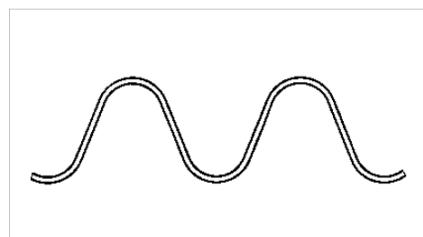
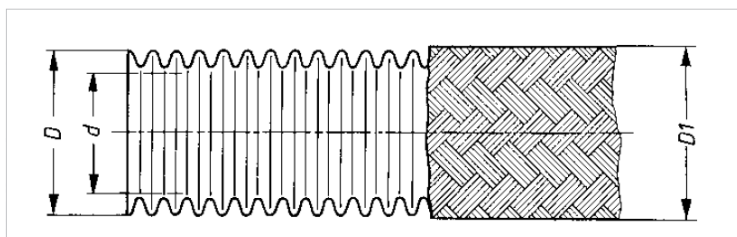
- Wall thickness: standard
- Corrugation: wide

Versions:

- RS 341 S00 without braid
- RS 341 S12 with single braid

Standard materials:

- Annularly corrugated hose 1.4404 or 1.4541
- braid 1.4301
- Other materials are available on request



### 1.1.3 RS 341

DN	Type	Inside diameter	Outside diameter	Permissible deviation	Minimum bending radius Single bend	Nominal bending radius Frequent movements	Permissible static operating pressure at 20 °C SF4	Nominal pressure ISO 10380 SF4	Weight approx.	
-	-	d	D,D1	d,D,D1	r <sub>min</sub>	r <sub>n</sub>	p <sub>perm</sub>	PN	-	
-	-	mm	mm	mm	mm	mm	bar	-	kg/m	
6	RS341S00	6,3	9,5	± 0,3	11	110	65	65	0,05	
	RS341S12		10,6		25		135	100	0,12	
8	RS341S00	8,5	12		15	130	25	25	0,07	
	RS341S12		13,4		32		150	100	0,18	
10	RS341S00	10,3	14,1	± 0,2	18	150	16	16	0,09	
	RS341S12		15,5		38		90	65	0,2	
12	RS341S00	12,5	16,4		20	165	18	18	0,1	
	RS341S12		18		45		80	65	23	
16	RS341S00	16,3	21,4	± 0,3	25	195	13	13	0,15	
	RS341S12		23		58		65	65	0,36	
20	RS341S00	20,7	26,5		30	225	20	20	0,31	
	RS341S12		28,1		70		40	40	0,54	
25	RS341S00	25,8	31,7	± 0,4	35	260	16	16	0,39	
	RS341S12		33,7		85		60	50	0,8	
32	RS341S00	34,6	41		± 0,5	40	300	2,5	2,5	0,36
	RS341S12		43			105		35	25	0,82
40	RS341S00	40,5	49,5	50		340	3	3	0,57	
	RS341S12		51,5	130			40	40	1,26	
50	RS341S00	50,8	60,2	± 0,4	60	390	2,5	2,5	0,71	
	RS341S12		62,5		160		30	25	1,47	
65	RS341S00	65,7	77,7		75	460	4	4	1,07	
	RS341S12		80,9		200		32	25	2,44	
80	RS341S00	80,6	94,2	± 0,5	90	660	4	4	1,72	
	RS341S12		97,4		240		30	25	3,52	
100	RS341S00	100,4	115		± 0,6	110	750	3	3	1,95
	RS341S12		118,2			290		16	16	3,94



- Debljina stijenke: veća
- Valovitost: standard

Izvedbe:

- RS 531 S00 bez opleta
- RS 531 S12 sa jednim opletom
- RS 531 S22 sa dva opleta

Standardna vrsta materijala:

- Valovite cijevi 1.4404 ili 1.4541
- Oplet 1.4301
- Ostale vrste materijala dostupne su na upit.

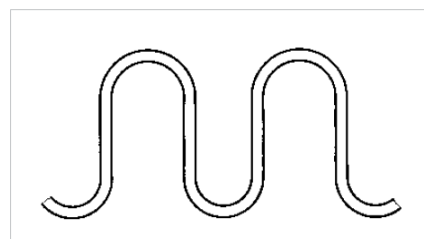
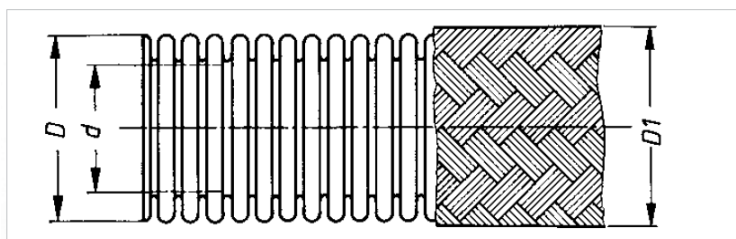
- Wall thickness: increased
- Corrugation: standard

Versions:

- RS 341 S00 without braid
- RS 341 S12 with single braid
- RS 341 S22 with double braid

Standard materials:

- Annularly corrugated hose 1.4404 or 1.4541
- braid 1.4301
- Other materials are available on request



## 1.1.4 RS 531

DN	Type	Inside diameter	Outside diameter	Permissible deviation	Minimum bending radius  Single bend	Nominal bending radius  Frequent movements	Permissible static operating pressure at 20 °C SF4	Nominal pressure  ISO 10380 SF4	Weight approx.		
-	-	d	D,D1	d,D,D1	r <sub>min</sub>	r <sub>n</sub>	p <sub>perm</sub>	PN	-		
-	-	mm	mm	mm	mm	mm	bar	-	kg/m		
5	RS531S00	5,3	9,1	±0,2	15	100	25	25	0,1		
	RS531S12		10,2		25		150	150	0,14		
	RS531S22		11,3		35		200	200	0,2		
6	RS531S00	6,2	10,2		±0,2	15	110	50	50	0,12	
	RS531S12		11,6			25		200	200	0,23	
	RS531S22		13			40		250	250	0,33	
8	RS531S00	8	12,9			±0,2	20	130	50	50	0,2
	RS531S12		14,5				32		200	200	0,35
	RS531S22		16,1				50		250	250	0,49
10	RS531S00	10	15,9	±0,3			25	150	25	25	0,29
	RS531S12		17,5				38		150	150	0,48
	RS531S22		19,1				60		225	225	0,66
12	RS531S00	12,1	18,7		±0,3		30	165	25	25	0,41
	RS531S12		20,3				45		100	100	0,62
	RS531S22		21,9				70		200	200	0,82
16	RS531S00	16,1	23,8			±0,3	40	195	20	20	0,55
	RS531S12		25,8				58		150	150	0,92
	RS531S22		27,8				90		200	200	1,29



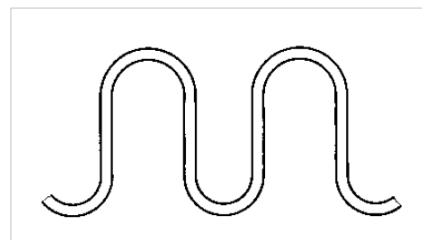
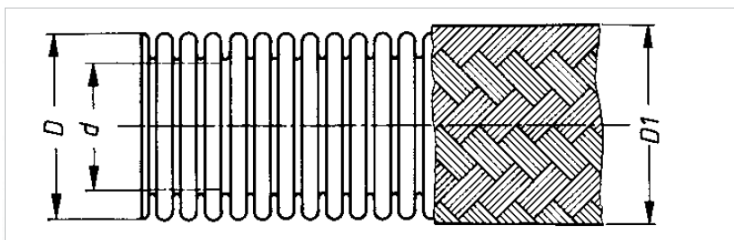
- Debljina stijenke: veća
- Valovitost: standard

### Izvedbe:

- RS 430 S00 bez opleta
- RS 430 S12 sa jednim opletom
- RS 430 S22 sa dva opleta
- RS 430 S42 sa jednim opletom, dodatno upleten
- RS 430 S52 sa dva opleta, dodatno upleten
- RS 430 S92 sa dva opleta, oplet specijalne izvedbe

### Standardna vrsta materijala:

- Valovite cijevi 1.4404 ili 1.4541
- Oplet 1.4301 standard, dodatno upleteni 1.4306
- Ostale vrste materijala dostupne su na upit.



- Wall thickness: increased
- Corrugation: standard

### Versions:

- RS 430 S00 without braid
- RS 430 S12 with single braid
- RS 430 S22 with double braid
- RS 430 S42 with single braid, knurled
- RS 430 S52 with double braid, knurled
- RS 430 S92 with double special braid

### Standard materials:

- Annularly corrugated hose 1.4404 or 1.4541
- standard braid 1.4301, knurled 1.4306
- Other materials are available on request

## 1.1.5 RS 430

DN	Type	Inside diameter	Outside diameter	Permissible deviation	Minimum bending radius	Nominal bending radius	Permissible static operating pressure at 20 °C SF4	Nominal pressure	Weight approx.		
-	-	d	D,D1	d,D,D1	r <sub>min</sub>	r <sub>n</sub>	p <sub>perm</sub>	PN	-		
-	-	mm	mm	mm	mm	mm	bar	-	kg/m		
20	RS430S00	20,2	29,2	± 0,3	45	285	6	6	0,54		
	RS430S12		31,2		70		90	65	0,93		
	RS430S22		33,2		70		125	100	1,31		
25	RS430S00	25,2	34,2		50	325	6	6	0,65		
	RS430S12		36,2		85		65	50	1,07		
	RS430S22		38,2		85		100	100	1,49		
32	RS430S00	33,7	42,7		60	380	4	4	0,77		
	RS430S12		45		105		65	65	1,41		
	RS430S22		47,2		105		80	80	2,05		
40	RS430S00	40	55	± 0,4	75	130	2,5	2,5	1,37		
	RS430S12		57,3		130		40	40	2,09		
	RS430S22		59,5		130		65	65	2,81		
50	RS430S00	50	65		90	190	2,5	2,5	1,616		
	RS430S12		68,2		160		50	50	2,91		
	RS430S22		71,3		160		80	65	4,15		
65	RS430S00	65	81		110	580	0,5	0,5	2,06		
	RS430S12		84,2		200		35	25	3,46		
	RS430S22		87,3		200		50	50	4,89		
80	RS430S00	79,8	98,3	± 0,5	135	800	0,5	0,5	2,82		
	RS430S12		101,5		240		25	16	4,64		
	RS430S22		104,6		240		50	25	6,46		
100	RS430S00	99,8	117,8		160	1000	0,5	0,5	3,59		
	RS430S12		121		290		30	10	5,97		
	RS430S22		124,1		290		40	16	8,25		
125	RS430S00	125,6	146		± 0,6	350	1250	1	0,5	5,23	
	RS430S12		149,2					25	10	7,8	
	RS430S22		152,4					45	16	10,4	
150	RS430S00	151,9	177,4	± 1,4		400	800	0,2	-	4,97	
	RS430S12		180,6					6	6	8,1	
	RS430S42		181,4					10	10	8,27	
	RS430S22		183,7					12	10	11,2	
	RS430S92		184,6					16	16	11,37	
200	RS430S00	202,2	231,4	± 1,6		520	1100	0,2	-	7,92	
	RS430S12		235		6			6	12,32		
	RS430S42		236,9		10			10	12,42		
	RS430S22		238,5		12			10	16,72		
	RS430S92		239,7		16			16	16,82		
	RS430S52		242,4		16			16	16,92		
250	RS430S00	248,4	284,2		± 1,6	620	1350	102	-	13	
	RS430S42		289,7					8	6	17,96	
	RS430S52		295,2					12	10	22,96	
300	RS430S00	298,6	335,8			± 1,6	1000	1600	0,1	-	17,2
	RS430S42		341,3						4	4	23,03
	RS430S52		346,8						6	6	28,83



## 1.1.6 RZ 331

---

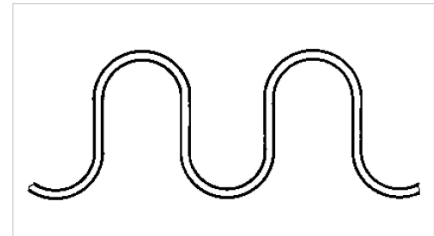
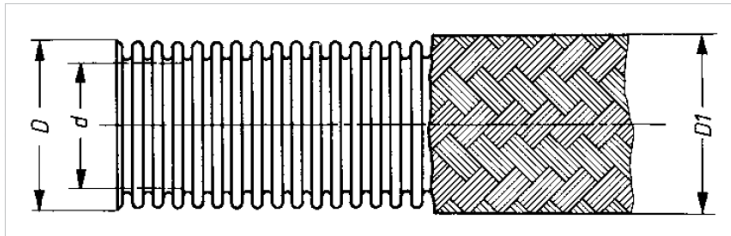
- Debljina stijenke: standard
- Valovitost: standard

Izvedbe:

- RZ 331 S00 bez opleta
- RZ 331 S13 sa jednim opletom

Standardna vrsta materijala:

- Valovite cijevi 2.1010 (CuSn2)
- Oplet 2.1016 (CuSn4)



- Wall thickness: standard
- Corrugation: standard

Versions:

- RZ 331 S00 without braid
- RZ 331 S13 with single braid

Standard materials:

- Annularly corrugated hose 2.1010 (CuSn2)
- standard braid 2.1016 (CuSn4)



DN	Type	Inside diameter	Outside diameter	Permissible deviation	Minimum bending radius Single bend	Nominal bending radius Frequent movements	Nominal pressure ISO 10380 SF4	Weight approx.	
-	-	d	D,D1	d,D,D1	r <sub>min</sub>	r <sub>n</sub>	PN	-	
-	-	mm	mm	mm	mm	mm	-	kg/m	
8	RZ331S00	8,6	12,6	± 0,2	16	90	6	0,11	
	RZ331S13		14		32		60	0,23	
10	RZ331S00	10,7	15,1		18	130	6	0,13	
	RZ331S13		16,5		38		45	0,27	
12	RZ331S00	12,7	17,7		20	150	4	0,14	
	RZ331S13		19,1		45		35	0,31	
16	RZ331S00	16,7	22,2		28	170	4	0,24	
	RZ331S13		23,6		58		32	0,47	
20	RZ331S00	20,6	27,1		32	200	4	0,44	
	RZ331S13		28,5		70		30	0,71	
25	RZ331S00	25,6	33,2		± 0,3	40	230	2,5	0,46
	RZ331S13		35,5			85		30	0,97
32	RZ331S00	32,6	42	50		260	2,5	0,72	
	RZ331S13		44,3	105			30	1,43	
40	RZ331S00	40,5	52	60		310	1,6	0,95	
	RZ331S13		54	130			25	1,83	
50	RZ331S00	50,5	63	70	360	1,6	1,35		
	RZ331S13		66,2	160		28	2,77		



## 1.1.7 RS 351

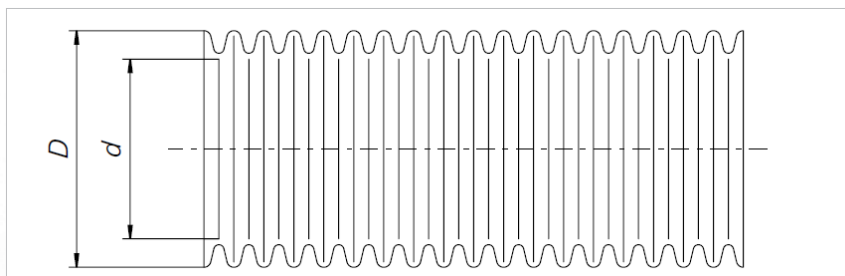
- Debljina stijenke: standard
- Valovitost: vrlo široka

Izvedbe:

- RS 351 S00 bez opleta

Standardna vrsta materijala:

- Valovite cijevi 1.4404



- Wall thickness: standard
- Corrugation: very wide

Versions:

- RS 351 S00 without braid

Standard materials:

- Annularly corrugated hose 1.4404

DN	Type	Inside diameter	Outside diameter	Permissible deviation	Minimum bending radius Single bend	Permissible static operating	Weight approx.
-	-	<b>d</b>	<b>D</b>	<b>d,D</b>	<b>r<sub>min</sub></b>	<b>p<sub>perm</sub></b>	-
-	-	mm	mm	mm	mm	bar	kg/m
20	RS351S00	12,5	16,6	± 0,3	20	18	0,095
25	RS351S00	16,7	21,3		16	17	0,125
32	RS351S00	20,5	26,4	± 0,4	20	9	0,165
40	RS351S00	25,8	31,7		35	10	0,36



## 1.2 SPIRALNO PLETENE FLEKSIBILNE CIJEVI (STRIPWOUND HOSES)

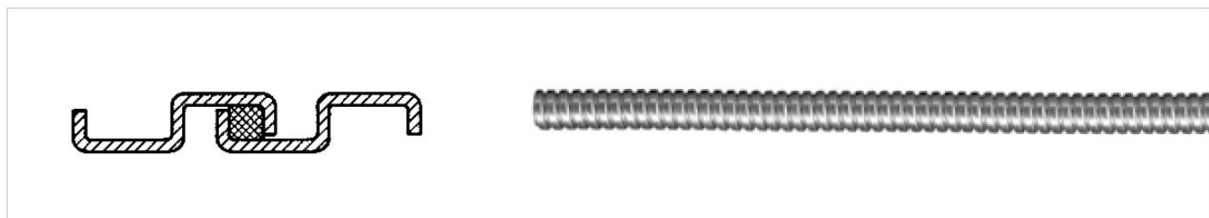
Prednosti spiralno pletenih crijeva su visoka otpornost na napetosti i transverzalni tlak te kemijska i toplinska stabilnost. Koriste se:

- Kao zaštitno crijevo za svjetlosne vodiče i električne instalacije,
- Kao zaštita od prekomjernog savijanja za sklopove valovitog crijeva,
- Kao usisno i transportno crijevo za dim, strugotine i granulate,
- Kao crijevo za ispušne plinove,
- Kao oplet za optimizaciju uvjeta protoka
- U strojarstvu, tehnologiji mjerenja i upravljanja i medicinskoj tehnologiji.
- Za razdvajanje ispušnih sustava automobila i teretnih vozila.



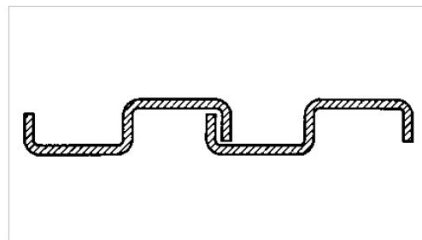
The advantages of stripwound hoses are a high resistance to tension and transversal pressure as well as chemical and thermal stability. They are, for example, used

- As protective hose for light conductors and electrical wiring,
- As over-bending protection for corrugated hose assemblies,
- As suction and conveying hose for smoke, shavings and granulates,
- As exhaust gas hose or
- As liner to optimise flow conditions
- in mechanical engineering, measurement and control technology, communications technology and fibre optics as well as medical technology.
- as a liners in decoupling elements for car and HGV exhaust systems.



## 1.2.1 SG TIP BEZ PREVLAKA (SG TYPE WITHOUT COATING)

---



### Primjena:

- Zaštitno crijevo prema normi DIN EN ISO 15465
- Standardno zaštitno crijevo za električne instalacije prema normi DIN EN 50086-2-3
- Zaštitno crijevo za gumena i plastična crijeva

### Karakteristike:

- Vrlo fleksibilno
- Otporno na napetosti
- Visoka otpornost na drobljenje

### Izvedbe:

- Zaštitno crijevo, pocinčani čelik, tip SG-S-O
- Zaštitno crijevo, mesing, tip SG-M-O
- Zaštitno crijevo, kromirani mesing, tip SG-M-C
- Zaštitno crijevo, poniklani mesing tip SG-M-N
- Zaštitno crijevo, nehrđajući čelik, tip SG-E-O

### Standardna vrsta materijala:

- Pocinčani čelik (1.0330) do DN 18
- Vruće pocinčani čelik (1.0226) od DN 20
- Mesing (2.0321)
- Nehrđajući čelik (1.4301)

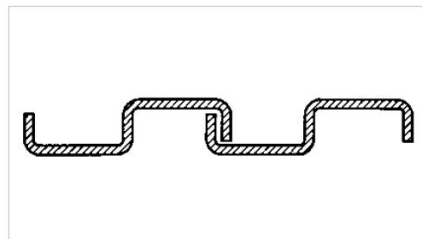
### Radna temperatura:

- Mesing: 250 °C
- Pocinčani čelik: 400 °C
- Nehrđajući čelik: 600 °C



### 1.2.1 SG TIP BEZ PREVLAKA (SG TYPE WITHOUT COATING)

---



#### Applications:

- Protective hose according to DIN EN ISO 15465 (type SOU)
- Standard protective hose for electrical installations according to DIN EN 50086-2-3
- Protective hose for rubber and plastic hoses

#### Characteristics:

- Very flexible
- Tension-proof
- With high crushing strength

#### Types:

- Protective hose, galvanised steel, type SG-S-O
- Protective hose, bright brass, type SG-M-O
- Protective hose, chromium-plated brass, type SG-M-C
- Protective hose, nickel-plated brass, type SG-M-N
- Protective hose, stainless steel, type SG-E-O

#### Materials:

- Galvanised steel (1.0330) to DN 18
- Hot-dip galvanised steel (1.0226) from DN 20
- Brass (2.0321)
- Stainless steel (1.4301)

#### Operating temperature:

- Brass: 250 °C
- Zinc-plated steel: 400 °C
- Stainless steel: 600 °C

## 1.2.1 SG-S-O

<i>DN</i>	<i>Nominal size</i>	<i>Inside diameter</i>	<i>Outside diameter</i>	<i>Permissible deviation</i>	<i>Minimum bending radius</i>	<i>Weight approx.</i>
-	PG	<b>d</b>	<b>D</b>	<b>d,D</b>	<b>r<sub>min</sub></b>	-
-	DIN 40430	<i>mm</i>	<i>mm</i>	<i>mm</i>	<i>mm</i>	<i>kg/m</i>
3	-	3	4,6	± 0,2	18	0,028
4	-	4	5,8	± 0,3	19	0,035
5	-	5	6,8	± 0,4	20	0,045
6	-	6	8	± 0,3	21	0,05
7	-	7,1	9,1	± 0,3	23	0,06
8	7	8	10	± 0,3	25	0,065
9	-	9	11	± 0,3	30	0,075
10	-	10	13	± 0,3	32	0,11
11	9	11	14	± 0,3	34	0,12
12	-	12	15	± 0,3	36	0,13
13	-	13	16	± 0,3	40	0,14
14	11	13,5	16,5	± 0,3	40	0,135
15	-	14	17	± 0,3	40	0,145
16	13,5	15	18	± 0,3	45	0,155
17	-	16	19	± 0,3	45	0,165
18	16	17	20	± 0,3	50	0,175
19	-	18	21	± 0,3	50	0,185
20	-	20	24	± 0,3	60	0,28
21	-	21	25	± 0,3	62	0,295
22	-	21,8	25,8	± 0,3	65	0,305
23	21	23	27	± 0,3	67	0,32
25	-	25	29	± 0,3	75	0,345
28	-	28	32	± 0,3	80	0,385
29	-	29,2	34,2	± 0,4	85	0,415
30	-	30	35	± 0,4	85	0,43
31	29	31	36	± 0,4	90	0,445
32	-	32	37	± 0,4	90	0,455
35	-	35	40	± 0,4	95	0,495
36	-	36	41	± 0,4	100	0,51
37	-	37	42	± 0,4	105	0,53
38	-	38,2	43,2	± 0,4	105	0,54
40	36	40	45	± 0,4	110	0,56
45	-	45,2	50,2	± 0,4	120	0,63
47	42	47	52	± 0,4	125	0,66
48	-	48	53	± 0,5	125	0,67
49	-	49,2	54,2	± 0,5	125	0,68
50	-	50	55	± 0,5	125	0,7
51	48	51	56	± 0,5	130	0,71



### 1.2.1 SG-M-C, SG-M-N

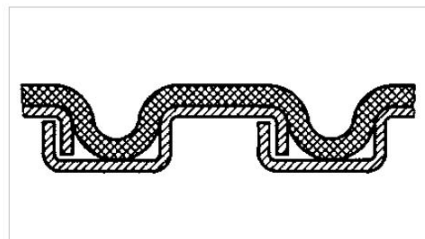
<i>DN</i>	<i>Inside diameter</i>	<i>Outside diameter</i>	<i>Permissible deviation</i>	<i>Minimum bending radius</i>	<i>Weight approx.</i>
-	<b>d</b>	<b>D</b>	<b>d,D</b>	<b>r<sub>min</sub></b>	-
-	<i>mm</i>	<i>mm</i>	<i>mm</i>	<i>mm</i>	<i>kg/m</i>
3	2,4	3,8	± 0,2	15	0,03
3	2,6	3	± 0,2	15	0,03
3	3	4,5	± 0,2	15	0,031
3	3,2	4,7	± 0,2	15	0,032
4	3,5	5	± 0,2	15	0,033
4	4	6	± 0,2	20	0,044
5	5	7	± 0,2	20	0,05
6	6	8	± 0,2	20	0,056
7	7	9	± 0,2	20	0,074
8	8	9	± 0,2	25	0,084
9	9	11	± 0,2	25	0,105
10	10	13	± 0,3	25	0,104
12	11,5	14	± 0,3	30	0,103
12	12	15	± 0,3	30	0,115
13	13	16	± 0,3	35	0,119
14	14	17,4	± 0,3	35	0,148
15	15	18	± 0,3	40	0,157
16	16	19,2	± 0,3	40	0,205
17	17	20	± 0,3	45	0,218
18	18	21,3	± 0,3	45	0,238
19	19	22	± 0,3	45	0,268
20	20	23	± 0,3	50	0,282



<i>DN</i>	<i>Inside diameter</i>	<i>Outside diameter</i>	<i>Permissible deviation</i>	<i>Minimum bending radius</i>	<i>Weight approx.</i>
-	<b>d</b>	<b>D</b>	<b>d,D</b>	<b>r<sub>min</sub></b>	-
-	<i>mm</i>	<i>mm</i>	<i>mm</i>	<i>mm</i>	<i>kg/m</i>
2	1,4	3	± 0,1	16	0,02
3	3	4,6	± 0,2	18	0,03
4	4	5,8	± 0,2	19	0,035
5	5	6,8	± 0,2	20	0,04
6	6	8	± 0,3	25	0,05
7	7	9	± 0,3	27	0,06
8	8	10	± 0,3	29	0,065
9	9	11	± 0,3	30	0,075
10	10	13	± 0,3	25	0,105
11	11	14	± 0,3	30	0,115
12	12	15	± 0,3	30	0,125
13	13	16	± 0,3	35	0,135
14	14	17,4	± 0,3	35	0,14
15	15	18	± 0,3	40	0,16
16	16	19,2	± 0,3	40	0,17
17	17	20	± 0,3	45	0,175
18	18	21,3	± 0,3	45	0,185
19	19	23	± 0,3	45	0,235
20	20	24	± 0,3	50	0,25
20	21,5	25,5	± 0,3	50	0,265
22	22	26	± 0,3	50	0,27
23	23	27	± 0,3	55	0,285
25	24,5	28,5	± 0,3	55	0,305
25	25	29	± 0,3	60	0,315
26	26	30	± 0,3	60	0,325
27	27	31	± 0,3	60	0,335
28	28	32	± 0,3	60	0,35

## 1.2.2 SG TIP SA PVC PREVLAKOM (SG TYPE WITH PVC COATING)

---



### Primjena:

- Standardno zaštitno crijevo za električne instalacije prema normi DIN EN 61386-2-3
- Zaštitno crijevo za gumena i plastična crijeva

### Karakteristike:

- Vrlo fleksibilno
- Otporno na napetosti
- Visoka otpornost na drobljenje
- PVC prevlaka

### Izvedbe:

- Zaštitno crijevo, pocinčani čelik sa crnom PVC prevlakom, tip SG-S-P

### Standardna vrsta materijala:

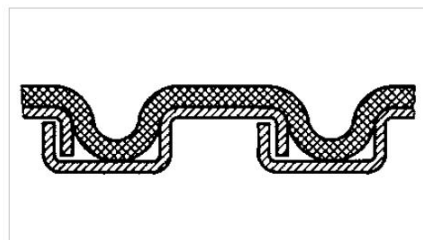
- Pocinčani čelik (1.0330) do DN 18
- Vruće pocinčani čelik (1.0226) od DN 20

### Radna temperatura:

- Pocinčani čelik sa PVC prevlakom: -20 do 80 °C

## 1.2.2 SG TIP SA PVC PREVLAKOM (SG TYPE WITH PVC COATING)

---



### Applications:

- Standard protective hose for electrical installations according to DIN EN 61386-2-3
- Protective hose for rubber and plastic hoses

### Characteristics:

- Very flexible
- Tension-proof
- With high crushing strength
- Liquid-tight
- With PVC coating

### Types:

- Protective hose, zinc-plated steel with black PVC coating, type SG-S-P

### Materials:

- Galvanised steel (1.0330) to DN 18
- Hot-dip galvanised steel (1.0226) from DN 20

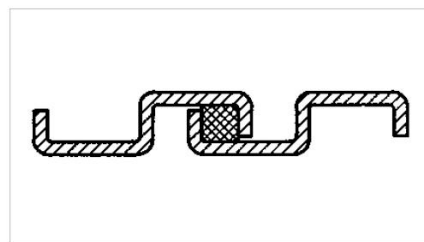
### Operating temperature:

- Galvanised steel with PVC coating: -20 to 80 °C

<i>DN</i>	<i>Nominal size</i>	<i>Inside diameter</i>	<i>Outside diameter</i>	<i>Permissible deviation</i>	<i>Minimum bending radius</i>	<i>Weight approx.</i>
-	PG	<b>d</b>	<b>D</b>	<b>d,D</b>	<b>r<sub>min</sub></b>	-
-	DIN 40430	<i>mm</i>	<i>mm</i>	<i>mm</i>	<i>mm</i>	<i>kg/m</i>
4	-	4	6,6	± 0,2	23	0,05
5	-	5	7,6	± 0,3	25	0,055
6	-	6	8,8	± 0,3	28	0,7
7	7	7,1	9,9	± 0,3	30	0,75
8	-	8	10,8	± 0,3	34	0,85
9	-	9	11,8	± 0,3	38	0,95
10	9	10	14	± 0,3	42	0,14
11	-	11	15	± 0,3	46	0,155
12	-	12	16	± 0,3	48	0,165
13	11	13	17	± 0,3	51	0,175
14	-	13,5	17,5	± 0,3	51	0,185
14	-	14	18,2	± 0,3	53	0,195
15	13,5	15	19,2	± 0,3	56	0,21
16	-	16	20,2	± 0,3	58	0,22
17	16	17	21,2	± 0,3	60	0,235
18		18	22,2	± 0,3	64	0,245
20	-	20	25,4	± 0,3	69	0,37
21	-	21	26,4	± 0,3	74	0,385
22	21	21,8	27,2	± 0,3	75	0,4
23	-	23	28,4	± 0,3	77	0,42
25	-	25	30,4	± 0,3	82	0,45
28	-	28	33,4	± 0,3	90	0,5
29	29	29,2	35,8	± 0,4	93	0,56
30	-	30	36,6	± 0,4	96	0,58
31	-	31	37,6	± 0,4	98	0,6
32	-	32	38,6	± 0,4	101	0,615
35	-	35	41,6	± 0,4	109	0,665
36	-	36	42,6	± 0,4	112	0,685
38	36	38,2	44,8	± 0,4	117	0,73
40	-	40	46,6	± 0,4	122	0,765
45	42	45,2	51,8	± 0,4	136	0,85
47	-	47	53,8	± 0,4	138	0,905
48	-	48	54,8	± 0,5	142	0,92
49	48	49,2	56	± 0,5	145	0,95
50	-	50	56,8	± 0,5	148	0,955
51	-	51	57,8	± 0,5	151	0,975

### 1.2.3 TYPE SD

---



#### Primjena:

- Univerzalno zaštitno crijevo s brtvom, također se može koristiti kao crijevo za odvod i ispušne plinove

#### Karakteristike:

- Vrlo fleksibilno
- Otporno na napetosti
- Visoka otpornost na drobljenje

#### Izvedbe:

- Usisno crijevo, pocinčani čelik, tip SD-S-B
- Usisno crijevo, nehrđajući čelik, tip SD-E-K

#### Standardna vrsta materijala:

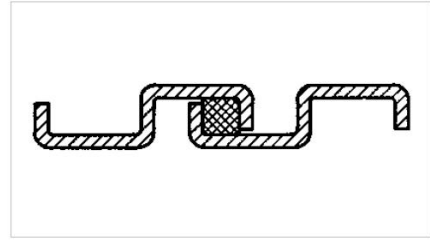
- Pocinčani čelik (1.0330) do DN 18
- Vruće pocinčani čelik (1.0226) od DN 20
- Nehrđajući čelik (1.4301)

#### Radna temperatura:

- Pocinčani čelik: 350 °C
- Nehrđajući čelik: 600 °C

### 1.2.3 TYPE SD

---



#### Applications:

- Universal protective hose with gasket, also usable as extraction and exhaust gas hose

#### Characteristics:

- Very flexible
- Tension-proof
- With high crushing strength

#### Types:

- Extraction hose, zinc-plated steel, type SD-S-B
- Extraction hose, stainless steel, type SD-E-K

#### Materials:

- Galvanised steel (1.0330) to DN 18
- Hot-dip galvanised steel (1.0226) from DN 20
- Stainless steel (1.4301)

#### Operating temperature:

- Zinc-plated steel: 350°C
- Stainless steel: 600 °C

### 1.2.3 TYPE SD

DN	Inside diameter	Outside diameter	Permissible deviation	Minimum bending radius	Weight approx.
-	d	D	d,D	r <sub>min</sub>	-
-	mm	mm	mm	mm	kg/m
3	3	5	± 0,2	40	0,06
4	4	6	± 0,2	40	0,07
5	5	7	± 0,2	40	0,085
6	6	8	± 0,2	35	0,095
7	7	9	± 0,2	35	0,105
8	8	10	± 0,2	40	0,115
9	9	11	± 0,2	40	0,14
10	10	13	± 0,2	45	0,18
11	10,5	13	± 0,2	45	0,19
11	11	14	± 0,2	55	0,2
12	12	15	± 0,2	55	0,21
13	13	16	± 0,2	60	0,215
14	14	17,4	± 0,2	60	0,22
15	15	18	± 0,2	70	0,24
16	16	18,7	± 0,2	70	0,26
16	16	19,2	± 0,2	70	0,265
17	17	20	± 0,2	80	0,28
18	18	21,3	± 0,3	80	0,29
19	19	23	± 0,3	80	0,315
20	20	24	± 0,3	90	0,335
22	21,5	25,5	± 0,3	90	0,37
23	23	27	± 0,3	95	0,395
25	24,5	28,5	± 0,3	95	0,415
25	25	29	± 0,4	105	0,43
26	26	30	± 0,4	105	0,46
30	30	34	± 0,4	110	0,525
31	30,5	34,5	± 0,4	110	0,54
32	31,5	35,7	± 0,4	120	0,57
32	32	36	± 0,4	120	0,58
34	34	38,5	± 0,4	125	0,585
35	35	39,5	± 0,4	130	0,6
36	36	41,5	± 0,4	130	0,64
37	37	42,5	± 0,4	140	0,68
38	38	43,5	± 0,4	145	0,72
39	38,5	44	± 0,4	145	0,76
40	40	45	± 0,4	150	0,83
41	40,5	45,7	± 0,4	150	0,68
44	44	49,5	± 0,4	170	1,01
45	45	50,5	± 0,4	175	1,03
47	46,5	52,5	± 0,4	180	1,07
48	48	53,5	± 0,5	190	1,1



### 1.2.3 TYPE SD

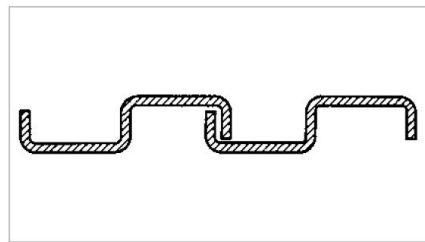
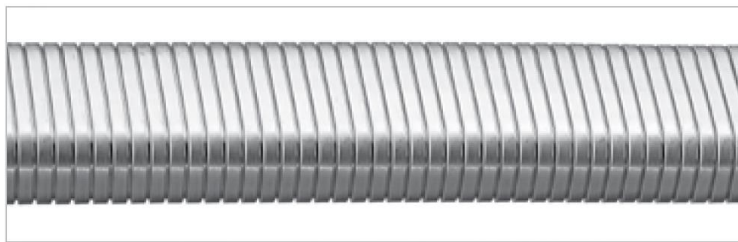
---

<i>DN</i>	<i>Inside diameter</i>	<i>Outside diameter</i>	<i>Permissible deviation</i>	<i>Minimum bending radius</i>	<i>Weight approx.</i>
-	<b>d</b>	<b>D</b>	<b>d,D</b>	<b>r<sub>min</sub></b>	-
-	<i>mm</i>	<i>mm</i>	<i>mm</i>	<i>mm</i>	<i>kg/m</i>
50	50	56	± 0,5	200	1,16
52	52	58	± 0,5	210	1,3
53	53	59	± 0,5	220	1,35
55	55	61	± 0,5	250	1,4
60	60	66	± 0,6	260	1,59
65	65	72	± 0,6	270	1,95
70	70	77	± 0,6	280	2,1
75	75	82	± 0,6	290	2,25
80	80	87	± 0,6	300	2,4
90	90	100	± 0,7	315	2,62
100	100	110,5	± 0,7	330	2,85
110	110	120,5	± 0,7	360	3,11
120	120	131,5	± 0,7	400	3,4
125	125	136,5	± 0,7	400	3,45



## 1.2.4 TYPE SV

---



### Primjena:

- Zaštitno crijevo za energetske vodiče, hidraulične vodove te kao transportno crijevo

### Karakteristike:

- Vrlo fleksibilno
- Otporno na napetosti
- Visoka otpornost na poprečni tlak

### Izvedbe:

- Pravokutno zaštitno crijevo, pocinčani čelik bez brtve, tip SV-S-O
- Pravokutno zaštitno crijevo, pocinčani čelik sa gumenom brtvom, tip SV-S-O
- Pravokutno zaštitno crijevo, pocinčani čelik sa pamučnom brtvom, tip SV-S-B

### Standardna vrsta materijala:

- Pocinčani čelik (1.0333)

### Applications:

- Protective hose for energy guide chains, hydraulic lines and as conveying hose

### Characteristics:

- Very flexible
- Tension-proof
- Resistant to transversal pressure

### Types:

- Rectangular protective hose, zinc-plated steel without seal, type SV-S-O
- Rectangular protective hose, zinc-plated steel with rubber joint, type SV-S-G
- Rectangular protective hose, zinc-plated steel with cotton packing, type SV-S-B

### Materials:

- Galvanised steel (1.0333)



## 1.2.4 TYPE SV

Nominal size		Outside diameter		Inside diameter		Minimum bending radius		Weight approx.
NS	D <sub>1</sub> , D <sub>2</sub>	Permissible deviation	d <sub>1</sub> , d <sub>2</sub>	Permissible deviation	r <sub>min</sub>	Permissible deviation	-	
mm	mm	mm	mm	mm	mm	mm	kg/m	
15	30 x 50	± 1	27 x 47	± 1	70	-10	0,64	
25	50 x 50	± 1	46,8 x 46,8	± 1	120	-10	0,82	
38	45 x 85	± 1	40,8 x 81	± 1	100	-10	1,28	
42	65 x 65	± 1	60,8 x 60,8	± 1	130	-10	1,26	
51	60 x 85	± 1	55,8 x 81	± 1	130	-10	1,44	
69	60 x 115	± 1	54,8 x 110,2	± 1	130	-20	2,37	
92	80 x 115	± 1	74,6 x 110	± 1	170	-20	2,66	
126	90 x 140	± 1	84,6 x 135	± 1	180	-20	3,15	
140	80 x 175	± 1	74,4 x 169,8	± 1	170	-20	3,54	
154	110 x 140	± 1	104,2 x 135,2	± 1	250	-20	3,6	
193	110 x 175	± 1	104,2 x 169,6	± 1	250	-20	3,97	
242	110 x 220	± 1,5	104,4 x 214,4	± 1,5	250	-20	4,6	



## 2. PTFE CRIJEVA (PTFE HOSES)

---

Metalna crijeva nisu prikladna za svaku industriju ili svako okruženje. PTFE crijeva su, naprotiv, savršena za gotovo sve tekuće, krute i plinovite medije. Crijeva od PTFE-a imajuće izvrsnu kemijsku otpornost, bit će bez mirisa i okusa (važno za odobrenje FDA) i nizak koeficijent trenja tako da se medij ne može pričvrstiti na crijevo. Ostale prednosti uključuju širok raspon temperatura, otpornost na UV-svjetlo i habanje te antistatička svojstva.

Važna svojstva:

- Izvrsna otpornost na kemikalije i koroziju
- Širok raspon temperature i tlaka
- Nizak koeficijent trenja
- Bez okusa i mirisa
- Otporan na udarce
- Antistatička svojstva
- Odobrenje FDA

Primjena:

- Prigušivači vibracija
- Sustavi goriva i hlađenja
- Prijenos medija u prehrambenoj i farmaceutskoj industriji
- Izolacijska cijev u električnim primjenama

U našem programu nudimo:

- Glatka PTFE crijeva
- Valovita PTFE crijeva



## 2. PTFE CRIJEVA (PTFE HOSES)

---

Metal hoses aren't fit for every industry or every environment. PTFE hoses, on the contrary, are the perfect fit for almost all liquid, solid and gaseous media. Hoses out of PTFE will have an excellent chemical resistance, will be odorless and tasteless (important for FDA approval) and will exhibit a low coefficient of friction so media cannot attach itself to the hose.

Other benefits include the wide temperature range, the resistance to UV-light and wear and the anti-static properties.

Key properties:

- Excellent chemical and corrosion resistance
- Wide temperature and pressure range
- Low coefficient of friction
- Tasteless and odorless
- Shock resistant
- Anti-static properties
- FDA approval

Applications:

- Vibration dampers
- Fuel and cooling systems
- Transporting media in food and pharmaceutical industry
- Cryogenic media
- Insulating tube in electrical applications

In our program we offer:

- Smooth PTFE hoses
- Convuluted PTFE hoses



## 2.1 GLATKA PTFE CRIJEVA (SMOOTH PTFE HOSES)

---

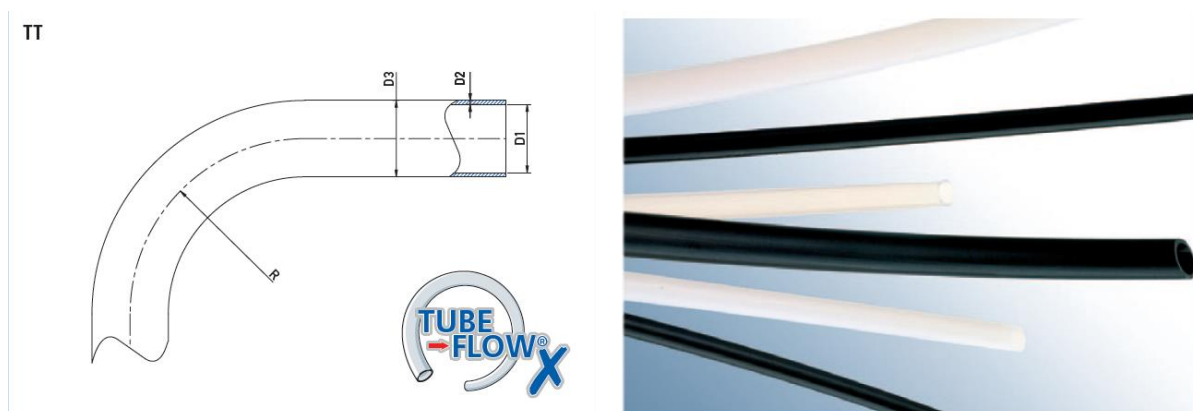
### 2.1.1 Tube-Flow-T (A/T)

PTFE tankoslojna cijev

PTFE (politetrafluoroetilenske) cijevi standardne debljine stijenke za prijenos proizvoda visoke čistoće, kemikalija, mliječnih i kozmetičkih proizvoda. Prikladan i za izmjenjivače topline i kao zaštitni sloj za kabele.

Radna temperatura: od  $-70\text{ }^{\circ}\text{C}$  do  $260\text{ }^{\circ}\text{C}$ .

Ostale vrste materijala: na upit.



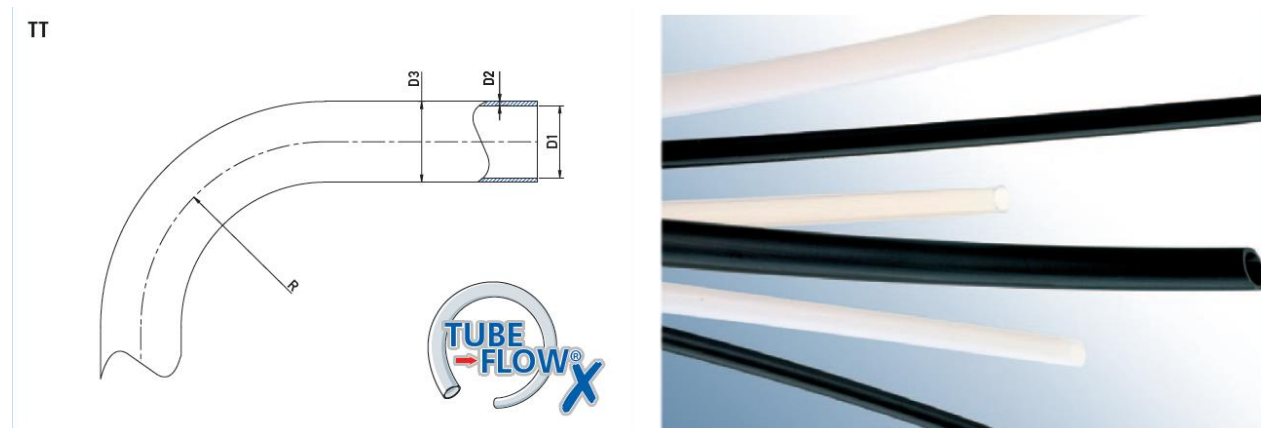
PTFE thin wall tube

Standard wall PTFE (polytetrafluorethylene) tubing for transfer of high purity products, chemicals, dairy and cosmetic products. Also suitable for heat exchangers and as protective sleeve for cables.

Operating temperature: from  $-70\text{ }^{\circ}\text{C}$  to  $260\text{ }^{\circ}\text{C}$ .

Other materials: on request.

## 2.1.1 Tube-Flow-T (A/T)



D1	Max	D2	D3	Max	L <sub>max</sub>	WP bar 20 °C
mm	mm	mm	mm	mm	m	mm
1	1,2	1	3	3,15	100	30
2	2,2	1	4	4,15	100	23
3	3,2	1	5	5,15	100	18
4	4,2	1	6	6,15	250	15
5	5,25	1	7	7,15	225	13
6	6,25	1	8	8,15	200	11
8	8,3	1	10	10,15	150	9
10	10,3	1	12	12,15	125	8
12	12,35	1	14	14,15	100	7
14	14,35	1	16	16,15	85	6
16	16,4	1	18	18,15	75	5
18	18,4	1	20	20,15	70	5
20	20,4	1	22	22,2	60	4
22	22,5	1,5	25	25,2	35	6
25	25,5	1,5	28	28,2	33	5
26	26,5	1	28	28,2	20	3
30	30,5	2	34	34,2	20	6
32	32,5	2	36	36,2	20	5
38	38,5	2	42	42,2	20	4
40	40,5	2	44	44,2	20	4
44	44,5	3	50	50,2	20	6
48	48,5	2	52	52,2	20	4
50	50,5	2	54	54,2	15	3

## 2.1.2 Tube-Flow-P (A/P)

---

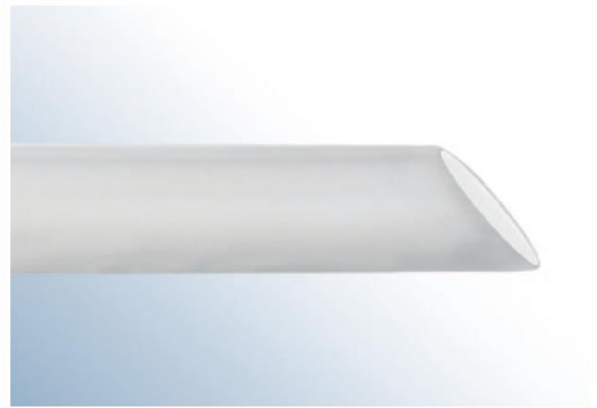
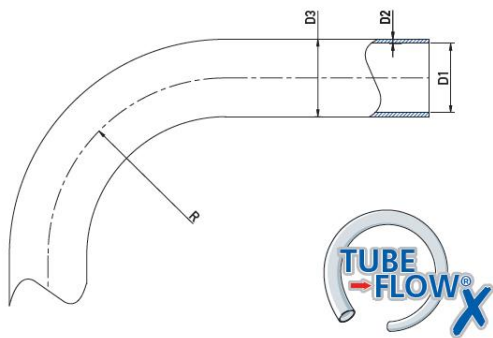
### PFA tankoslojna cijev

PFA cijevi standardne debljine stijenke za prijenos proizvoda visoke čistoće, kemikalija, mliječnih i kozmetičkih proizvoda. Prikladan i za izmjenjivače topline i kao zaštitni omot za kabele.

Radna temperatura: od -70 °C do 260 °C.

Ostale vrste materijala: na upit.

PT



### PFA thin wall tube

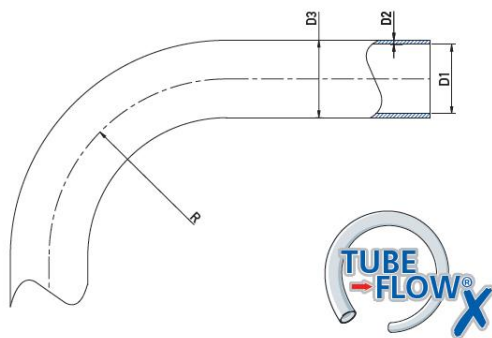
Standard wall PFA tubing for transfer of high purity products, chemicals, dairy and cosmetic products. Also suitable for heat exchangers and as protective sleeve for cables.

Operating temperature: from -70 °C to 260 °C.

Other materials: on request.

## 2.1.2 Tube-Flow-P (A/P)

PT



D1	Max	D2	D3	Max	L <sub>max</sub>	WP bar 20 °C
mm	mm	mm	mm	mm	m	mm
1	1,2	1	3	4	100	30
2	2,2	1	4	5	100	23
3	3,2	1	5	6	100	18
4	4,2	1	6	7	250	15
5	5,25	1	7	8	225	13
6	6,25	1	8	9	200	11
8	8,3	1	10	11	150	9
10	10,3	1	12	13	125	8
12	12,35	1	14	15	100	7
14	14,35	1	16	17	85	6
16	16,4	1	18	19	75	5
18	18,4	1	20	21	70	5
20	20,4	1	22	23	60	4
22	22,5	1,5	25	26,5	35	6
25	25,5	1,5	28	29,5	33	5

### 2.1.3 Speed-Flow-B (A/B)

---

Glatko PTFE crijevo velikog provrta s opletom od nehrđajućeg čelika – standardna debljina stijenke

Speed-Flow-B izražen je od čistog PTFE (politetrafluoretilena) s opletom od nehrđajućeg čelika AISI 304 visoke vlačne čvrstoće.

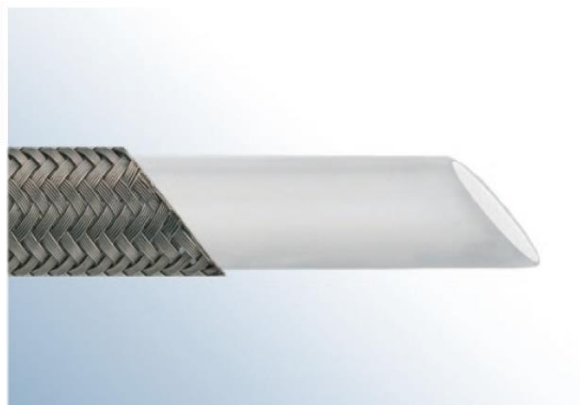
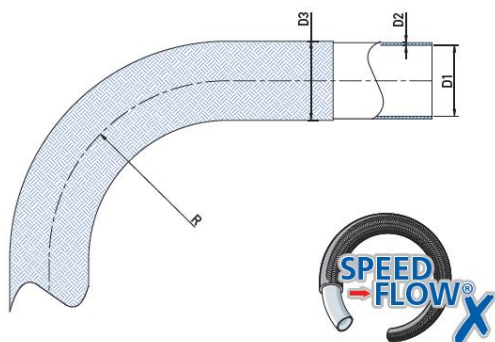
Priključci:

- Hidraulični priključci
- Industrijske spojke

Radna temperatura: od -70 °C do 260 °C.

Ostale vrste materijala: na upit.

T1B



Smooth, big bore PTFE hose, with stainless steel braid - standard wall

Speed-Flow-B is manufactured from virgin PTFE (polytetrafluorethylene) resin with AISI 304 stainless steel, high tensile braid.

Fittings:

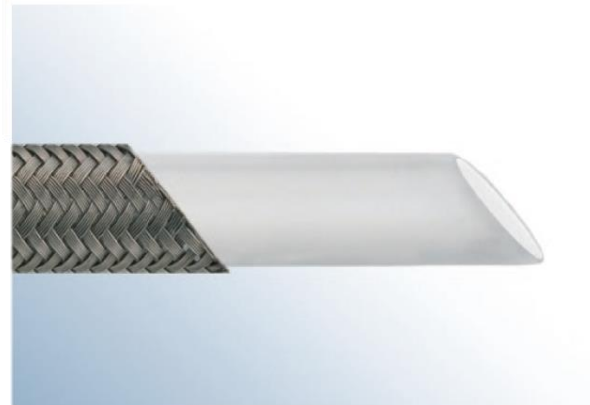
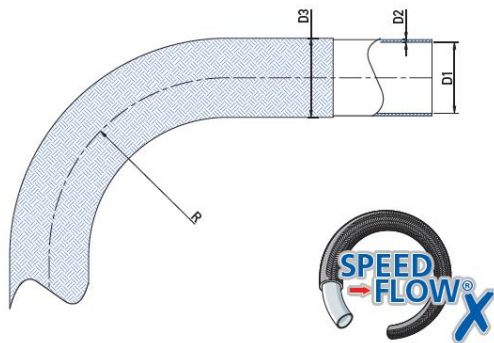
- Fittings with Hydraulic Tail
- Industrial couplings

Operating temperature: from -70 °C to 260 °C.

Other materials: on request.

### 2.1.3 Speed-Flow-B (A/B)

T1B



Size	D1		D2	D3		R	WP	BP	Weight
mm	min	max	min	min	max	mm	bar 20 °C		gr/m
4,9	4,65	5,16	0,9	7,32	8,43	51	276	828	90
5,1	4,85	5,36	0,9	7,49	8,61	64	264	793	94
6,7	6,45	6,96	0,75	8,83	9,86	76	224	672	92
8,4	8,15	8,66	0,65	10,54	11,56	102	207	621	141
10,3	9,93	10,64	0,65	12,78	14,1	133	183	552	148
13,4	13,06	13,36	0,9	15,88	17,22	152	161	483	249
16,6	16,1	17,12	0,9	18,95	20,57	178	114	345	290
19,8	19,3	20,32	1	22,15	23,77	203	103	310	339
22,1	21,59	22,61	1	24,46	26,09	229	92	276	382
26,1	25,6	26,62	1,2	28,45	30,07	305	80	241	461



## 2.1.4 Speed-Flow-SI (A/SI)

---

Glatko PTFE crijevo velikog provtra, s opletom od nehrđajućeg čelika prekriveno ekstrudiranim silikonskom gumom – standardna debljina stijenke

Speed-Flow-SI proizveden je od čiste PTFE (politetrafluoretilenske) smole s opletom od nehrđajućeg čelika AISI 304 visoke vlačne čvrstoće. Oplet je presvučen ekstrudiranim silikonskom gumom koja osigurava visoku fleksibilnost i lako čišćenje. Silikonski poklopac je bijeli, usklađen s FDA-om i platinasto polimeriziran.

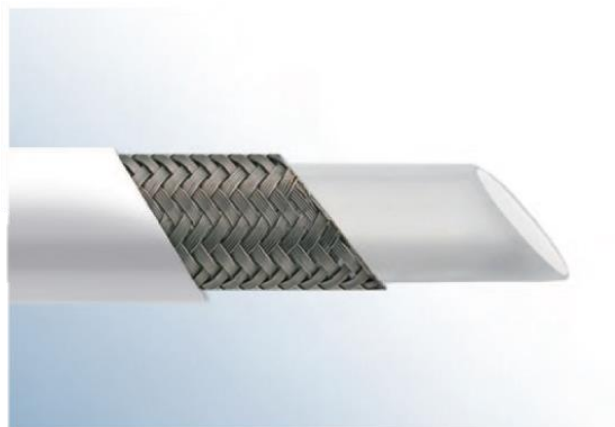
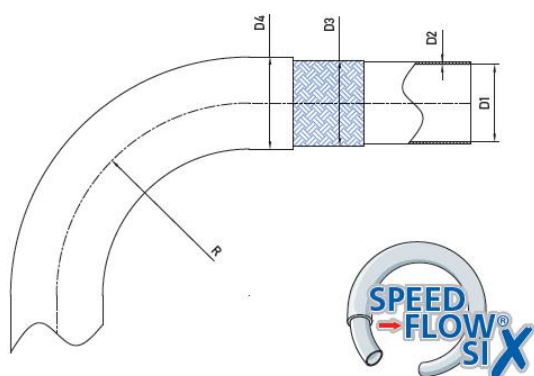
Priključci:

- Hidraulični priključci
- Industrijske spojke
- Za montažu pomoću posebnih ferula

Radna temperatura: od -70 °C do 200 °C.

Ostale vrste materijala: na upit.

T1BSI



Smooth, big bore PTFE hose, stainless steel braid covered with extruded silicone rubber – standard wall

Speed Flow-SI® is manufactured from virgin PTFE (polytetrafluorethylene) resin with AISI 304 stainless steel, high tensile braid. The braid is overlaid with extruded Silicone rubber, which ensures a high flexibility and easy cleanability. The Silicon cover is white, FDA compliant and platinum cured.

Fittings:

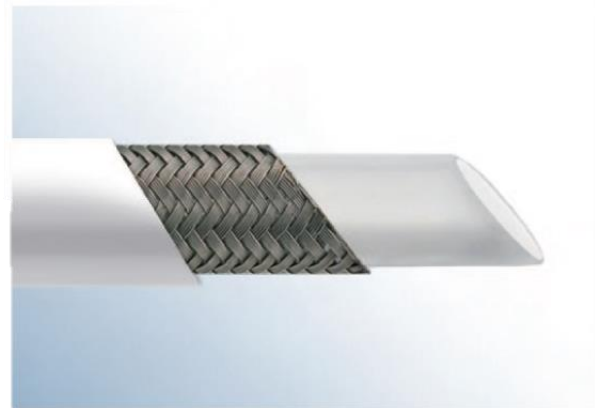
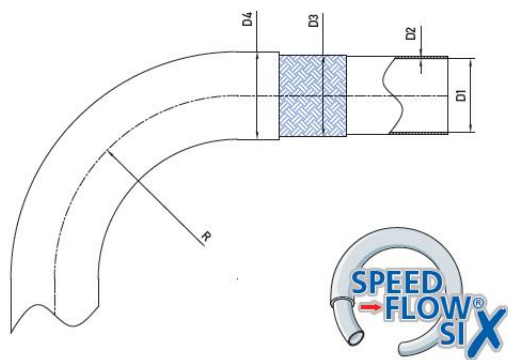
- Fittings with Hydraulic Tail
- Industrial couplings
- To be assembled with special ferrules

Operating temperature: from -70 °C to 200 °C.

Other materials: on request.

## 2.1.4 Speed-Flow-SI (A/SI)

T1BSI



Size	Size	D1	D2	D3	D4	R	WP	BP	Weight
inch	mm	mm	mm	mm	mm	mm	bar 20 °C		gr/m
1/4"	6.7	6,71	0,75	9,35	15,35	76	224	672	252
5/16"	8.4	8,41	0,65	11,05	17,05	102	207	621	323
3/8"	10.3	10,29	0,65	13,44	19,44	133	183	552	361
1/2"	13.4	13,3	0,9	16,55	22,55	152	161	483	503
5/8"	16.6	16,76	0,9	19,76	24,76	178	114	345	531
3/4"	19.8	19,81	1,00	22,96	27,96	203	103	310	614
7/8"	22.1	22,1	1,00	25,28	30,28	229	92	276	683
1"	26.1	26,11	1,20	29,26	34,26	305	80	241	805



### 2.1.5 Speed-Flow-D/1/B (D/1/A/B)

---

Glatko PTFE crijevo velikog provrta, dvostruki oplet od nehrđajućeg čelika – standardna debljina stijenke

Speed-Flow-D/1/B proizveden je od čiste PTFE (politetrafluoretilenske) smole s dvostrukim opletom od nehrđajućeg čelika AISI 304, koji odgovara hidraučkim armaturama u primjeni pri visokim tlakom.

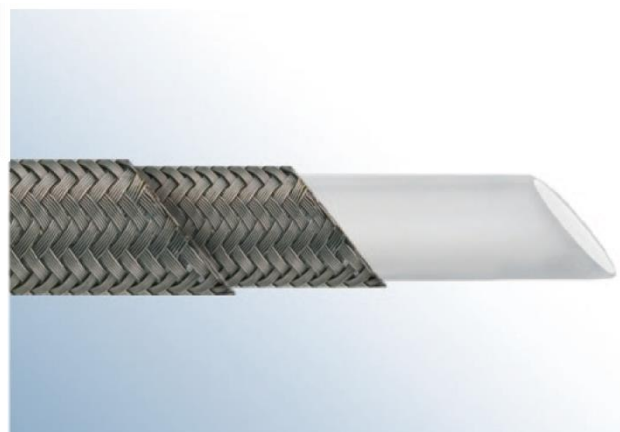
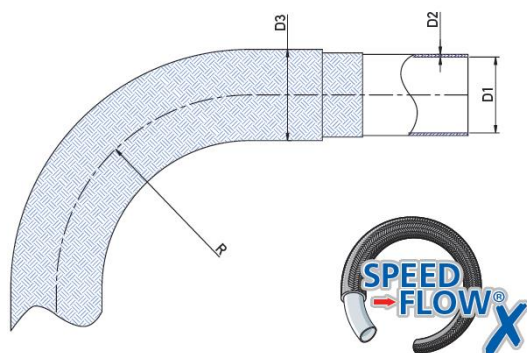
Priključci:

- Hidraulični priključci
- Industrijske spojke

Radna temperatura: od -70 °C do 260 °C.

Ostale vrste materijala: na upit.

TD1B



Smooth big bore PTFE hose, double stainless steel braid – standard wall

Speed-Flow-D/1/B is manufactured from virgin PTFE (polytetrafluorethylene) resin with a double AISI 304 stainless steel, high tensile braid to suit hydraulic fittings in high pressure applications.

Fittings:

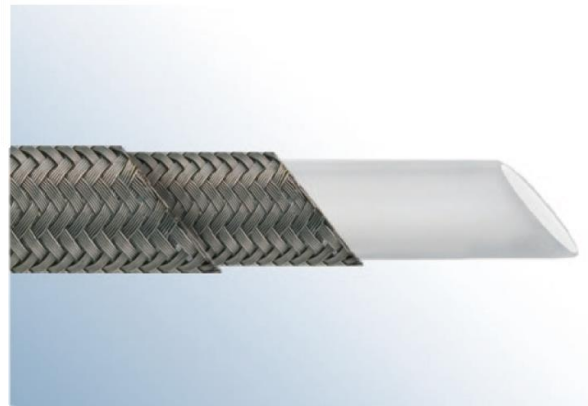
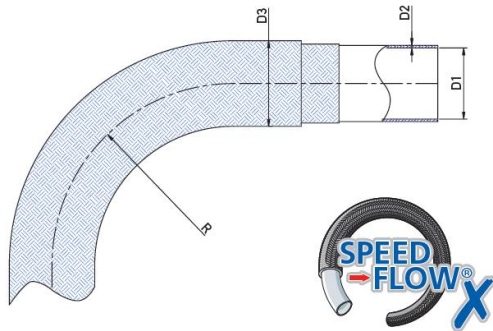
- Fittings with Hydraulic Tail
- Industrial couplings

Operating temperature: from -70 °C to 260 °C.

Other materials: on request.

## 2.1.5 Speed-Flow-D/1/B (D/1/A/B)

TD1B



Size	D <sub>1</sub>		D <sub>2</sub>	D <sub>3</sub>	R	WP	BP	Weight
	min	max	min	min	mm	bar 20 °C		
4,9	4,65	5,16	0,9	8,89	75	322	966	150
5,1	4,85	5,36	0,9	9,07	75	310	931	152
6,7	6,45	6,96	0,76	10,47	85	253	759	179
8,4	8,15	8,66	0,64	12,57	130	237	710	241
10,3	9,93	10,64	0,9	14,68	135	206	621	311
13,4	13,06	13,36	0,9	18,09	165	189	566	411
16,6	16,1	17,12	0,9	20,88	195	133	414	470
19,8	19,3	20,32	1	25,54	225	126	379	551
22,1	21,59	22,61	1	26,8	230	115	345	623
26,1	25,6	26,62	1,2	30,79	305	93	280	732



## 2.1.6 Smooth-Flow-S (A/S)

---

Fleksibilno PTFE crijevo glatkog provrta sa spiralom od nehrđajućeg čelika – standardna debljina stijenke

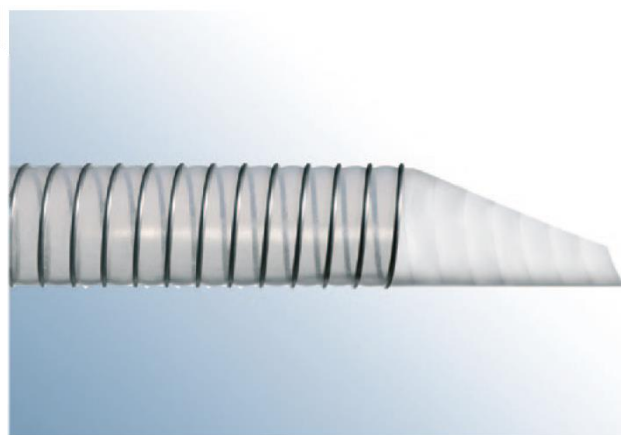
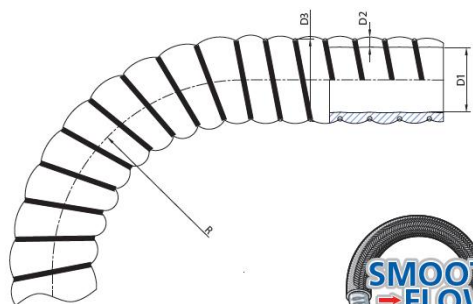
Ultra higijensko PTFE (politetrafluoretilen) crijevo sa spiralom od nehrđajućeg čelika. Crijevo ima iznimno dobra svojstva otpornosti na vakuum i savijanje za ekstremne performanse.

Smooth-Flow-S izvodi se za primjene u kojima je imperativ ultra higijensko crijevo i visoka fleksibilnost, npr. Prehrambena, bio, farmaceutska i kozmetička industrija. Dostupno samo u potpunom obliku crijeva.

Radna temperatura: od -70 °C do 260 °C.

Ostale vrste materijala: na upit.

TWFS



Ultra hygienic non-convoluted PTFE (polytetrafluorethylene) liner with stainless steel helix. The hose has exceptionally good vacuum and kink resistance properties for extreme performance.

Smooth-Flow-S should be specified for applications where Ultra hygienic non-convoluted hose and high flexibility are imperative, e.g. Food, Bio, Pharmaceutical and Cosmetic industry. Only available in complete hose assembly form.

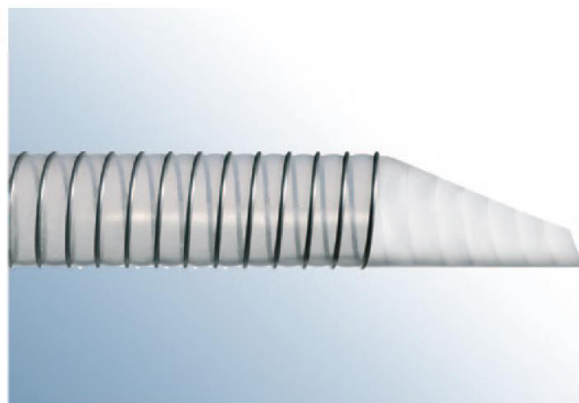
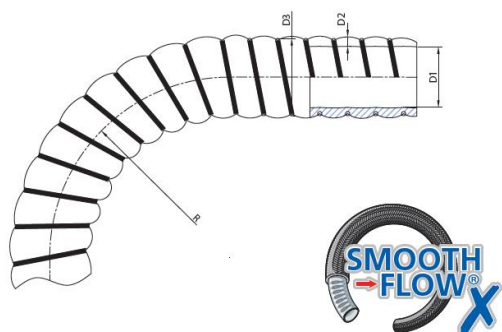
Operating temperature: from -70 °C to 260 °C.

Other materials: on request.



## 2.1.6 Smooth-Flow-S (A/S)

TWFS



Size	D <sub>1</sub>	D <sub>2</sub>	D <sub>3</sub>	R	WP	BP	Weight
inch	min	min	min	mm	bar 20 °C		gr/m
1/2"	11,5	1,25	16,2	38	7	28	150
5/8"	15,5	1,25	20,2	42	5	20	180
3/4"	20	1,5	25,2	50	5	20	200
1"	22,8	1,5	28	70	5	20	360
1 1/4"	30,5	1,5	35,7	85	5	20	450
1 1/2"	36,5	2,00	44,5	100	5	20	660
2"	48,5	2,00	56,5	140	5	20	950



## 2.1.7 Smooth-Flow-S/B1 (A/S/B1)

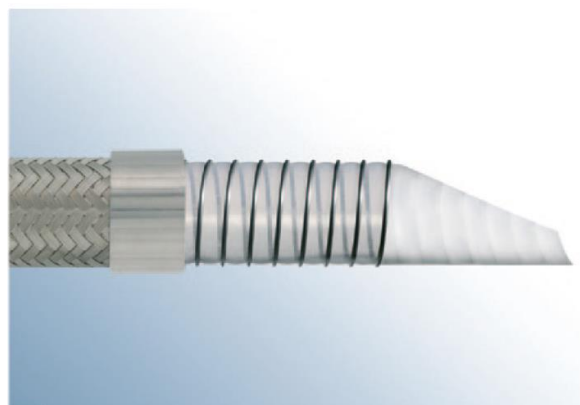
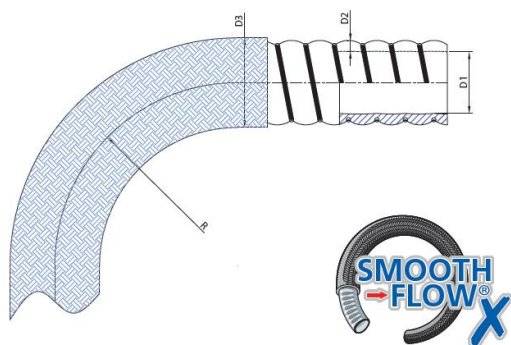
---

Fleksibilno PTFE crijevo glatkog provrta, sa spiralom i opletom od nehrđajućeg čelika – standardna debljina stijenke

Ultra higijensko PTFE (politetrafluoretilensko) crijevo sa spiralom i AISI 304 opletom od nehrđajućeg čelika. Iznimno dobra svojstva otpornosti na vakuum i savijanje za ekstremne performanse.

Smooth-Flow-S/B1 izvodi se za primjene u kojima je imperativ ultra higijensko crijevo i visoka fleksibilnost, npr. prehrambena, bio, farmaceutska i kozmetička industrija. Dostupno samo u potpunom obliku crijeva.

TWFSB1



Smooth bore flexible PTFE hose with stainless steel helix and high tensile stainless steel braid - standard wall

Ultra hygienic non-convoluted PTFE (polytetrafluorethylene) liner with stainless steel helix and a AISI 304 high tensile, stainless steel braid.

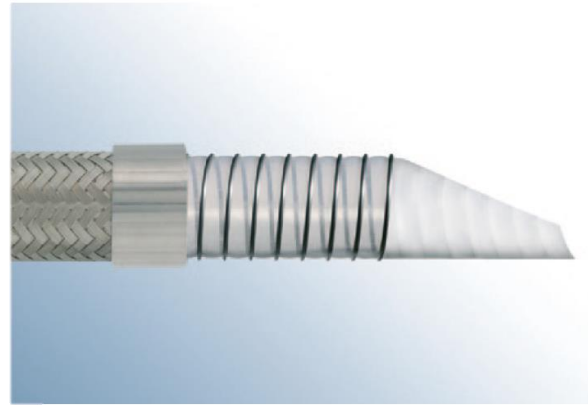
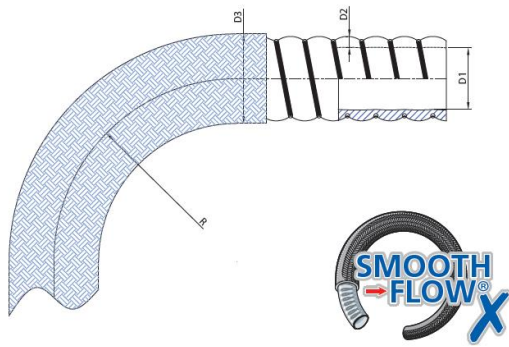
The hose has exceptionally good vacuum- and kink resistance properties for extreme performance.

Smooth-Flow-S/B1 should be specified for applications where Ultra hygienic non-convoluted hose and high flexibility are imperative, e.g. Food, Bio, Pharmaceutical and Cosmetic industry. Only available in complete hose assembly form.



## 2.1.7 Smooth-Flow-S/B1 (A/S/B1)

TWFSB1



Size	D <sub>1</sub>	D <sub>2</sub>	D <sub>3</sub>	R	WP	BP	Weight
<i>inch</i>	<i>average</i>	<i>min</i>	<i>average</i>	<i>mm</i>	<i>bar 20 °C</i>		<i>gr/m</i>
1/2"	11,5	1,25	15,8	38	50	250	290
5/8"	15,5	1,25	20,5	42	50	250	360
3/4"	18,5	1	23,6	50	60	290	430
1"	22,8	1	27,7	70	40	210	650
1 1/4"	30,5	1,5	36,8	85	45	210	750
1 1/2"	36,5	1,50	43,1	100	40	175	800
2"	48,5	1,65	55,2	140	25	135	950

## 2.2 Valovita PTFE crijeva (Convolute PTFE hoses)

---

### 2.2.1 Convo-Flow-S

Valovito PTFE crijevo – standardna debljina stijenke

Spiralno zavijeno PTFE (politetrafluoretilen) niskotlačno crijevo, daje dobru fleksibilnost i otpornost na savijanje

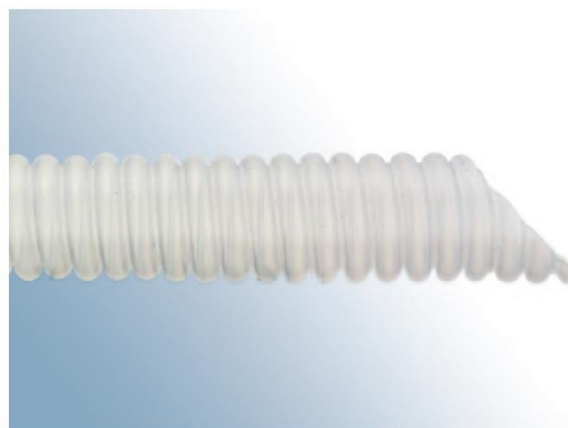
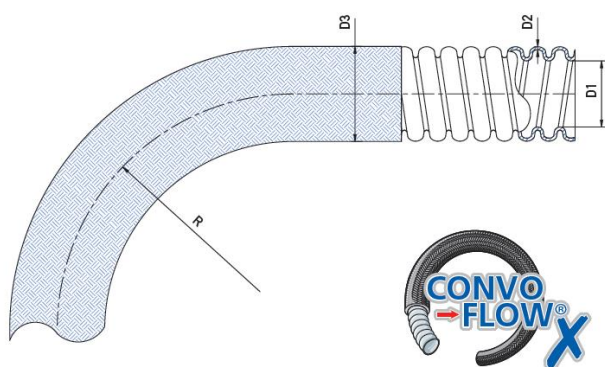
Priključci:

- Priključci sa PTFE nogicom
- Pruključci sa hidrauličnom nogicom
- Industrijski priključci

Radna temperatura: od -70 °C do 260 °C.

Ostale vrste materijala: na upit.

TCSB1



Convolute PTFE hose – standard wall

A helically convoluted PTFE (polytetrafluorethylene) low pressure hose giving good flexibility and kink resistance.

Fittings:

- Hose fittings with PTFE tail
- Hose fittings with Hydraulic
- Industrial fittings

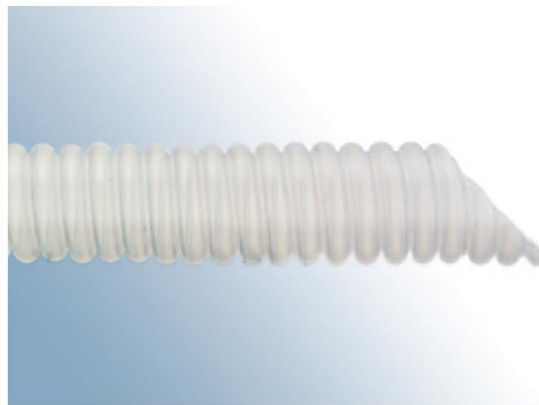
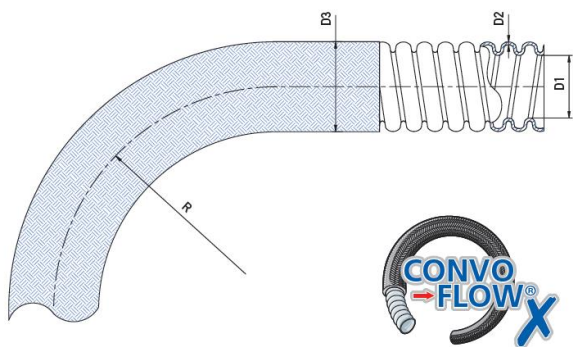
Operating temperature: from -70 °C to 260 °C

Other materials: on request



## 2.2.1 Convo-Flow-S

TCSB1



Size	D1		D2	D3		R	WP	BP	Vacuum	L <sub>max</sub>
inch	min	max	min	min	max	mm	bar 20 °C		mbar 20 °C	m
3/4"	18,1	20,3	0,72	25,6	27,6	75	1,5	6	744	160
1"	24,3	26,3	1	30,5	32,5	100	1,5	6	744	125
1 1/4"	31,1	33,1	1	40,8	45,2	125	1,5	6	744	100
1 1/2"	37,2	39,1	1	46,5	51,5	150	1,5	6	744	70
1 3/4"	44,1	46,2	1	53,2	58,8	160	1,5	6	744	60
2"	49,2	51,3	1	57,1	63,1	175	1,5	6	744	50



## 2.2.2 Convo-Flow-S/B1

---

Valovito PTFE tlačno crijevo s opletom od nehrđajućeg čelika – standardna debljina stijenke

Spiralno zavijena PTFE (politetrafluoretilen) unutarnja cijev s vanjskim opletom od AISI304 nehrđajućeg čelika.

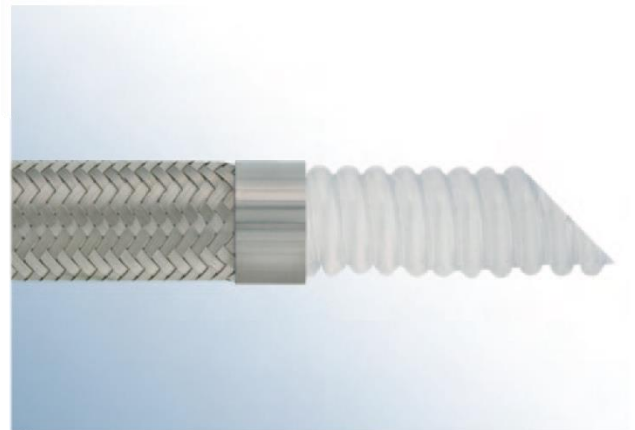
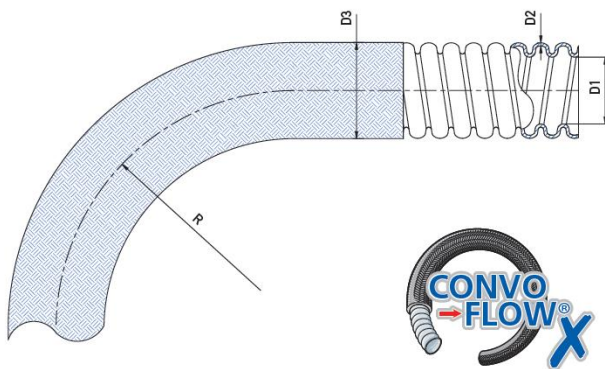
Priključci:

- Priključci sa PTFE nogicom
- Priključci sa hidrauličnom nogicom
- Industrijski priključci

Radna temperatura: od -70 °C do 260 °C.

Ostale vrste materijala: na upit.

TCSB1



Convoluted PTFE pressure hose with stainless steel braid – standard wall

A helically convoluted PTFE (polytetrafluorethylene) inner tube, with an outer cover of AISI304 high tensile stainless steel braid.

Fittings:

- Hose fittings with PTFE tail
- Hose fittings with Hydraulic
- Industrial fittings

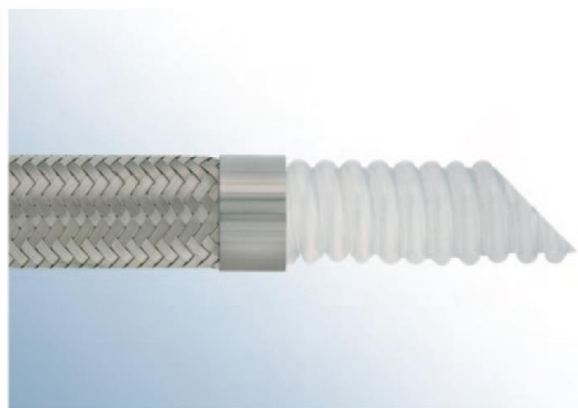
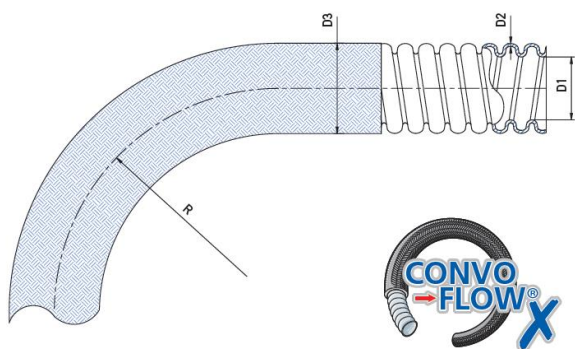
Operating temperature: from -70 °C to 260 °C

Other materials: on request



## 2.2.2 Convo-Flow-S/B1

TCSB1



Size	D <sub>1</sub>		D <sub>2</sub>	D <sub>3</sub>		R	WP	BP	Vacuum	L <sub>max</sub>	Weight	
	inch	min	max	min	max							mm
3/4"		19,5	20,5	0,72	28,6	31,4	50	60	290	744	20	390
1"		24,5	25,5	1	34,2	38,2	60	40	210	744	20	540
1 1/4"		31,5	32,5	1	41,9	46,1	80	45	210	744	20	680
1 1/2"		36,5	37,5	1	47,2	49,9	100	40	175	744	20	1110
1 3/4"		44,5	45,5	1	55,8	61,4	120	25	135	744	20	1650
2"		49,5	50,5	1	60,5	66,7	125	25	135	744	20	1710



### 2.2.3 Convo-Flow-S/W1

---

Valovito PTFE crijevo sa vakuumskom žicom – standardna debljina stijenke

Spiralno zavijeno PTFE (politetrafluoretilen) usisno crijevo. Vanjska žica od nehrđajućeg čelika AISI 304 garantira visoku otpornost na vakuum, dobru fleksibilnost i otpornost na savijanje.

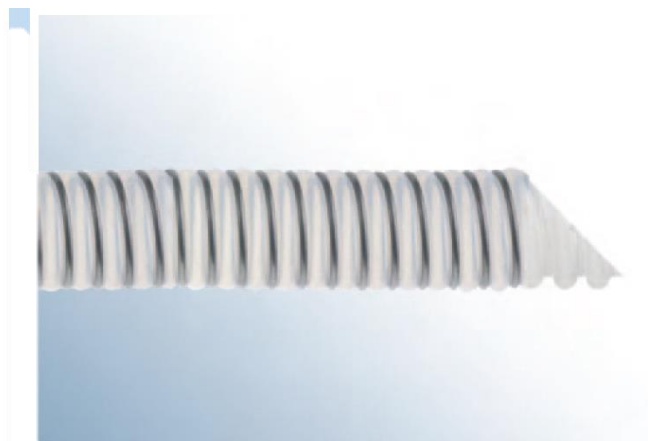
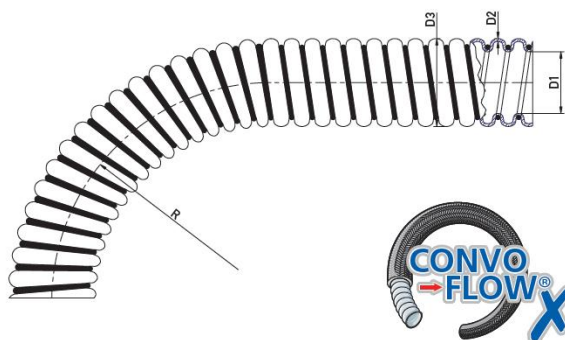
Priključci:

- Priključci sa PTFE nogicom
- Priključci sa hidrauličnom nogicom
- Industrijski priključci

Radna temperatura: od -70 °C do 260 °C.

Ostale vrste materijala: na upit.

TCSW1



Convoluted PTFE hose with vacuum wire – standard wall

A helically convoluted PTFE (polytetrafluorethylene) suction hose- The external AISI 304 wire support guarantees high vacuum resistance, good flexibility and extreme kink resistance.

Fittings:

- Hose fittings with PTFE tail
- Hose fittings with Hydraulic
- Industrial fittings

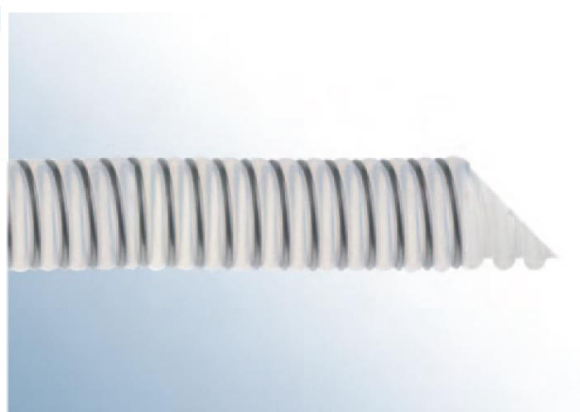
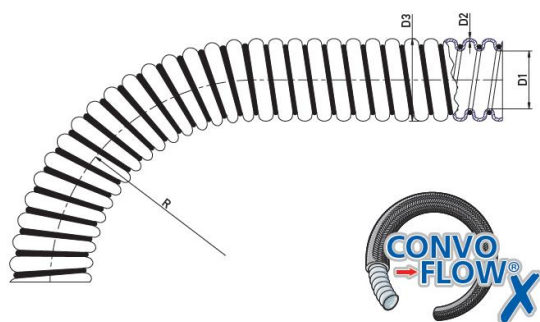
Operating temperature: from -70 °C to 260 °C

Other materials: on request



## 2.2.3 Convo-Flow-S/W1

TCSW1



Size	D1		D2	D3		R	WP	BP	Vacuum	L <sub>max</sub>
inch	min	max	min	min	max	mm	bar 20 °C		mbar 20 °C	m
3/4"	18,1	20,3	0,72	25,6	27,6	75	1,5	6	744	10
1"	24,3	26,3	1	30,5	32,5	100	1,5	6	744	10
1 1/4"	31,1	33,1	1	40,8	45,2	125	1,5	6	744	10
1 1/2"	37,2	39,1	1	46,5	51,5	150	1,5	6	744	10
1 3/4"	44,1	46,2	1	53,2	58,8	160	1,5	6	744	10
2"	49,2	51,3	1	57,1	63,1	175	1,5	6	744	10



## 2.2.4 Convo-Flow-S/W1/B1

---

Valovito PTFE crijevo sa vakuumskom žicom i opletom od nehrđajućeg čelika – standardna debljina stijenke

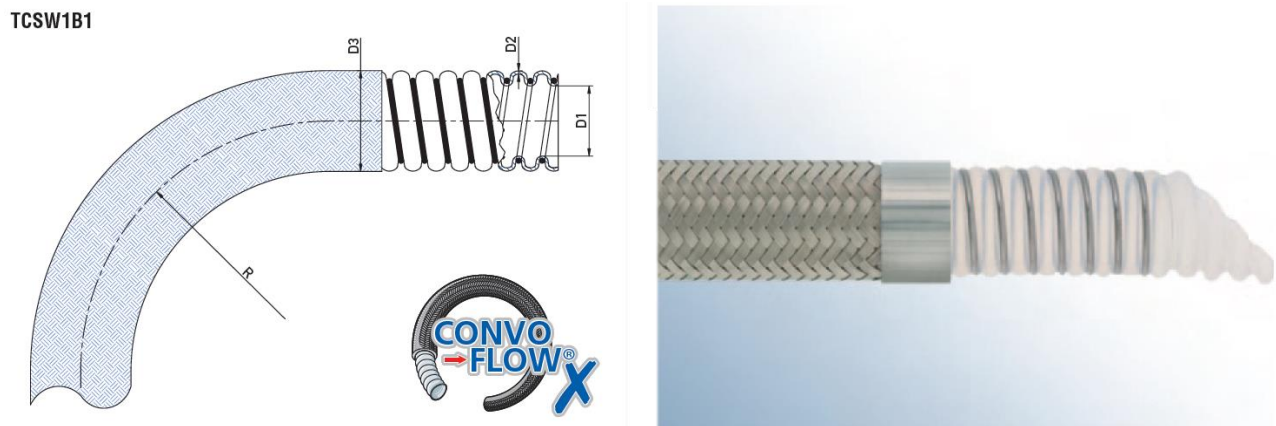
Spiralno zavijeno PTFE (politetrafluoretilen) usisno crijevo. Vanjska žica i oplet od nehrđajućeg čelika AISI 304 garantira visoku otpornost na vakuum, dobru fleksibilnost i otpornost na savijanje.

Priključci:

- Priključci sa PTFE nogicom
- Pruključci sa hidrauličnom nogicom
- Industrijski priključci

Radna temperatura: od  $-70\text{ }^{\circ}\text{C}$  do  $260\text{ }^{\circ}\text{C}$ .

Ostale vrste materijala: na upit.



Convoluted PTFE hose with vacuum wire and stainless steel braid – standard wall

A helically convoluted PTFE (polytetrafluorethylene) suction/pressure hose. The external AISI 304 wire support and braid guarantees high vacuum resistance, good flexibility and extreme kink resistance.

Fittings:

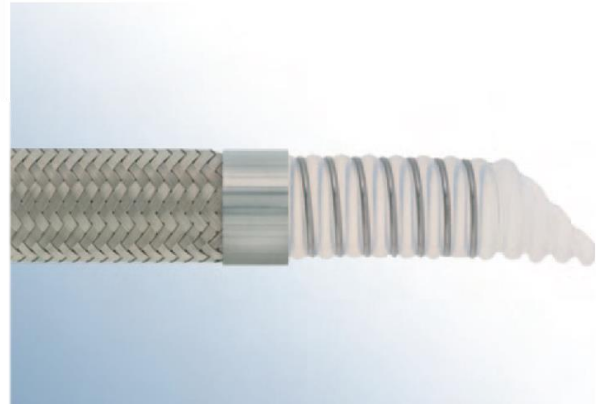
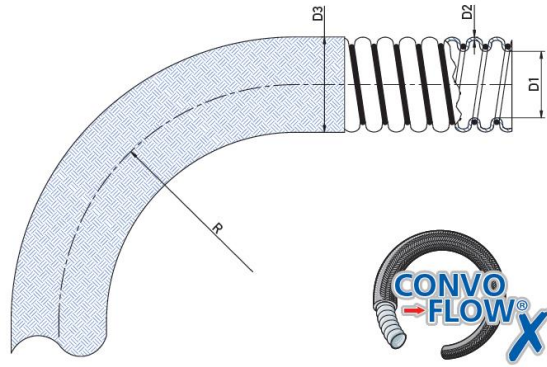
- Hose fittings with PTFE tail
- Hose fittings with Hydraulic
- Industrial fittings

Operating temperature: from  $-70\text{ }^{\circ}\text{C}$  to  $260\text{ }^{\circ}\text{C}$

Other materials: on request

## 2.2.4 Convo-Flow-S/W1/B1

TCSW1B1



Size	D <sub>1</sub>		D <sub>2</sub>	D <sub>3</sub>		R	WP	BP	Vacuum	L <sub>max</sub>	Weight
	min	max	min	min	max						
3/4"	19,5	20,5	0,72	28,6	31,4	50	60	290	887	10	540
1"	24,5	25,5	1	34,2	38,2	60	40	210	887	10	890
1 1/4"	31,5	32,5	1	41,9	46,1	80	45	210	887	10	1180
1 1/2"	36,5	37,5	1	47,2	49,9	100	40	175	887	10	1710
1 3/4"	44,5	45,5	1	55,8	61,4	120	25	135	887	10	2450
2"	49,5	50,5	1	60,5	66,7	125	25	135	887	10	2610



## 2.2.5 Convo-Flow-S/W1/B6

---

Valovito PTFE crijevo s vakuumskom žicom i polipropilenskim opletom – standardna debljina stijenke

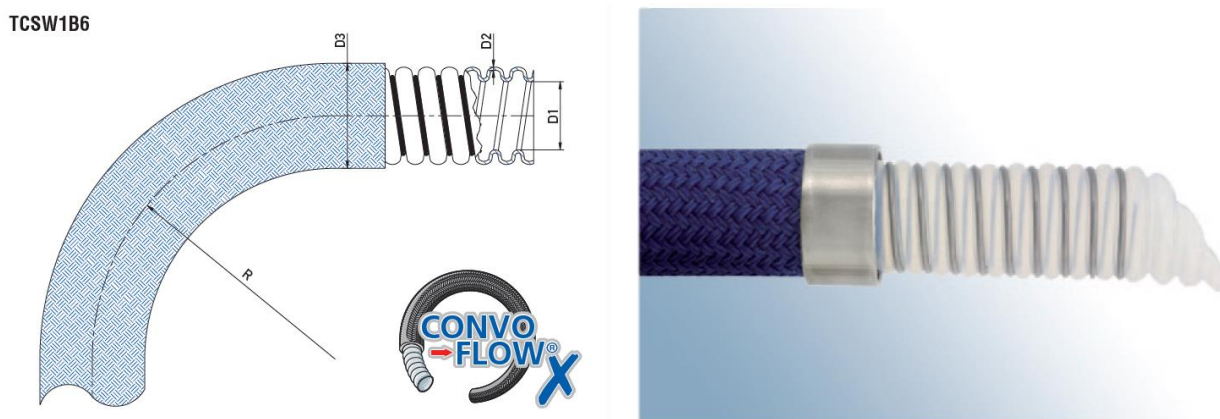
Spiralno zavijeno PTFE (politetrafluoretilen) usisno/tlačno crijevo, s vanjskom vakuumskom žicom i polipropilenskim opletom

Priključci:

- Priključci sa PTFE nogicom
- Priključci sa hidrauličnom nogicom
- Industrijski priključci

Radna temperatura: od -70 °C do 90 °C.

Ostale vrste materijala: na upit.



Convoluted PTFE hose with vacuum wire and polypropylene braid – standard wall

A helically convoluted PTFE (polytetrafluorethylene) suction/pressure hose, with external vacuum wire and polypropylene yarn braid.

Fittings:

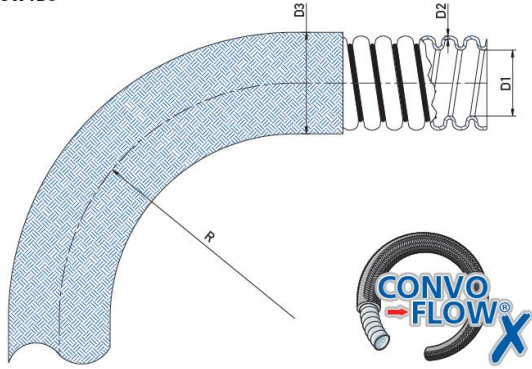
- Hose fittings with PTFE tail
- Hose fittings with Hydraulic
- Industrial fittings

Operating temperature: from -70 °C to 90 °C

Other materials: on request

## 2.2.5 Convo-Flow-S/W1/B6

TCSW1B6



Size	D1		D2	D3		R	WP	BP	Vacuum	L <sub>max</sub>	Weight
inch	min	max	min	min	max	mm	bar 20 °C		mbar 20 °C	m	gr/m
3/4"	19,5	20,5	0,72	31,1	33,9	50	10	40	887	10	490
1"	24,5	25,5	1	36,7	40,7	60	10	40	887	10	810
1 1/4"	31,5	32,5	1	44,4	48,6	80	10	40	887	10	1070
1 1/2"	36,5	37,5	1	49,7	52,4	100	10	40	887	10	1310
1 3/4"	44,5	45,5	1	58,3	63,9	120	10	40	887	10	1850
2"	49,5	50,5	1	62,5	69,2	125	10	40	887	10	2050



### 3. Hidraulična crijeva ( Hydraulic hoses)

---

#### 3.1 Hidraulična crijeva prema DIN EN 853

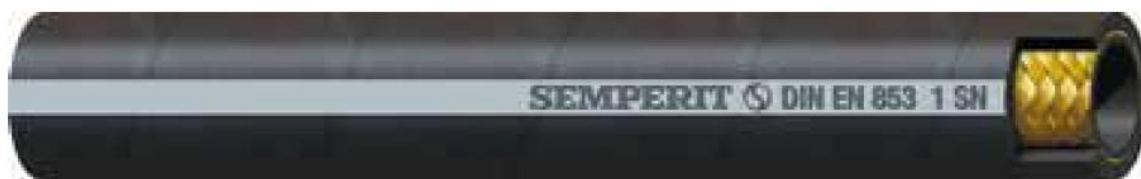
##### 1 SN (DIN EN 853 SAE 100 R1S)

Cijev: sintetička guma otporna na ulje

Ojačanje: oplet od čelične žice visoke čvrstoće

Presvlaka: sintetička guma otporna na abraziju, ozon i vremenske uvjete

Raspon temperature: -40 °C do 100 °C (120 °C max)



Tube: oil resistant synthetic rubber

Reinforcement: one high tensile steel wire braid

Cover: abrasion, ozone and weather resistant synthetic rubber

Temperature range: -40 °C to 100 °C (120 °C max)

Inside $\phi$				Braid $\phi$		Outside $\phi$		Working pressure		Test pressure	Burst pressure	Bend radius	Weight
DN	inch	min	max	min	max	min	max	bar	psi	bar	bar	mm	kg/m
6	1/4"	6,5	6,9	10,6	11,2	12,5	13,4	225	3265	540	900	100	0,21
8	5/16"	8	8,5	12,1	12,8	14,3	15,2	215	3120	510	850	115	0,24
10	3/8"	9,6	10,1	14,5	15,2	16,2	17,1	180	2610	430	720	125	0,33
12	1/2"	12,8	13,4	17,5	18,3	19,4	20,4	160	2320	385	640	180	0,41
16	5/8"	16	16,7	20,6	21,4	22,6	23,6	130	1885	310	520	200	0,45
19	3/4"	19,1	19,8	24,6	25,5	26,4	27,6	105	1525	250	420	240	0,58
25	1"	25,5	26,4	32,5	33,3	34,3	35,7	88	1275	210	350	300	0,88
31	1.1/4"	32	33	37,3	40,5	41,8	43,2	63	915	150	250	420	1,23
38	1.1/2"	38,2	39,3	45,9	47,4	48,7	51,4	60	725	120	200	500	1,51
51	2"	50,6	51,6	59,3	60,8	62,7	65,4	40	580	96	160	630	1,97

### 3.3 Kompaktna hidraulična crijeva (Compact hydraulic hoses)

---

#### 2 SN (DIN EN 853 SAE 100 R2S)

Cijev: sintetička guma otporna na ulje

Ojačanje: oplet od čelične žice visoke čvrstoće

Presvlaka: sintetička guma otporna na abraziju, ozon i vremenske uvjete

Raspon temperature: -40 °C do 100 °C (120 °C max)



Tube: oil resistant synthetic rubber

Reinforcement: one high tensile steel wire braid

Cover: abrasion, ozone and weather resistant synthetic rubber

Temperature range: -40 °C to 100 °C (120 °C max)

DN	Inside $\phi$			Braid $\phi$		Outside $\phi$		Working pressure		Test pressure	Burst pressure	Bend radius	Weight
	inch	min	max	min	max	min	max	bar	psi	bar	bar	mm	kg/m
6	1/4"	6,5	6,9	12,1	12,7	13,8	14,8	400	5800	960	1600	100	0,33
8	5/16"	8	6,5	13,7	14,4	15,4	16,4	350	5075	840	1400	115	0,39
10	3/8"	9,6	10,1	16,1	16,8	17,8	18,8	330	4785	790	1320	125	0,5
12	1/2"	12,8	13,4	19	19,8	20,8	21,8	275	3990	660	1100	180	0,59
16	5/8"	16	16,7	22,2	23	24	25	250	3625	600	1000	200	0,71
19	3/4"	19,1	19,8	26,2	27,1	27,9	29,1	215	3120	515	850	240	0,86
25	1"	25,5	26,4	34,1	25	36,4	37,8	165	2395	395	650	300	1,28
31	1.1/4"	32	33,0	43,3	44,5	45,9	47,5	125	1815	300	500	420	2,02
38	1.1/2"	38,2	39,3	50,5	21,7	53,1	55,8	90	1605	215	360	500	2,2
51	2"	50,6	51,6	32,3	63,5	65,6	68,3	80	1160	190	320	630	2,85

### 3.3 Kompaktna hidraulična crijeva (Compact hydraulic hoses)

---

#### 2 ST (DIN EN 853 SAE 100 R2S)

Cijev: sintetička guma otporna na ulje

Ojačanje: oplet od čelične žice visoke čvrstoće

Presvlaka: sintetička guma otporna na abraziju, ozon i vremenske uvjete

Raspon temperature: -40 °C do 100 °C (120 °C max)



Tube: oil resistant synthetic rubber

Reinforcement: one high tensile steel wire braid

Cover: abrasion, ozone and weather resistant synthetic rubber

Temperature range: -40 °C to 100 °C (120 °C max)

DN	Inside $\phi$		Braid $\phi$	Outside $\phi$	Working pressure		Test pressure	Burst pressure	Bend radius	Weight
	inch	mm	mm	mm	bar	psi	bar	bar	mm	kg/m
6	1/4"	6,4	12,7	17,5	400	5805	960	1600	100	0,41
8	5/16"	7,9	14,3	19,1	350	5080	840	1400	115	0,47
10	3/8"	9,5	16,7	21,5	330	4790	795	1320	130	0,6
12	1/2"	12,7	19,8	24,6	275	3990	660	1100	180	0,7
16	5/8"	15,9	23	27,8	250	3625	600	1000	200	0,83
19	3/4"	19	27	31,8	215	3120	510	850	240	1,02
25	1"	25,4	34,9	39,7	165	2395	390	850	300	1,38
31	1.1/4"	31,8	44,5	50,8	125	1815	300	500	420	2,23
38	1.1/2"	38,1	50,8	52,7	90	1305	220	360	500	2,46
51	2"	50,8	63,5	69,8	80	1160	195	320	630	3,14

### 3.3 Kompaktna hidraulična crijeva (Compact hydraulic hoses)

#### 1 SN EHT (DIN EN 853)

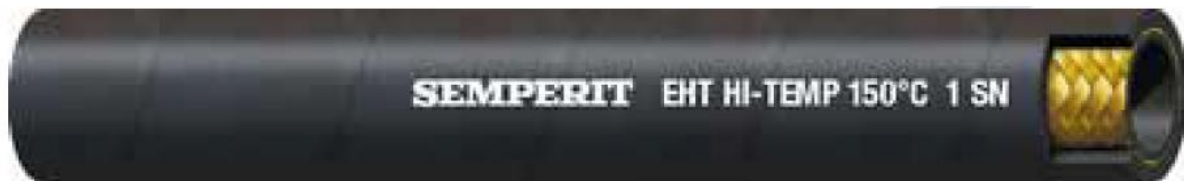
Cijev: sintetička guma otporna na ulje

Ojačanje: oplet od čelične žice visoke čvrstoće

Presvlaka: sintetička guma otporna na abraziju, ozon i vremenske uvjete, crni dizajn, MSHA kvaliteta

Preporučeni mediji: mineralna i sintetička ulja, glikol i poliglikol, emulzije vode/ulja do 100 °C

Raspon temperature: -40 °C do 135 °C (150 °C max)



Tube: oil resistant synthetic rubber

Reinforcement: one high tensile steel wire braid

Cover: heat, abrasion, ozone and weather resistant synthetic rubber, black, MSHA approved

Recommended fluids: mineral and synthetic oils, glycols and polyglycols, aqueous oil emulsions (up to 100°C)

Temperature range (medium): -40°C to +135°C (max 150°C)

DN	Inside $\phi$		Braid $\phi$		Outside $\phi$		Working pressure		Test pressure	Burst pressure	Bend radius	Weight	
	inch	min	max	min	max	min	max	bar	psi	bar	bar	mm	kg/m
6	1/4"	6,5	6,9	10,6	11,6	13,1	13,9	225	3265	540	900	100	0,21
8	5/16"	8	8,5	12,1	13,3	14,7	15,5	215	3120	510	850	115	0,24
10	3/8"	9,6	10,1	14,5	15,7	17,1	17,9	180	2610	430	720	125	0,33
12	1/2"	12,8	13,4	17,5	19,1	20,2	21	160	2320	385	640	180	0,41
16	5/8"	16	16,7	20,6	22,2	23,1	23,9	130	1885	310	520	200	0,45
19	3/4"	19,1	19,8	24,6	26,2	27,3	28,3	105	1525	250	420	240	0,58
25	1"	25,5	26,4	32,5	34,1	35,1	36,1	88	1275	210	350	300	0,88
31	1.1/4"	32	33	39,3	41,7	41,2	43,2	63	915	150	250	420	1,23
38	1.1/2"	38,2	39,3	45,9	48	50,1	52,5	50	725	120	200	500	1,51
51	2"	50,6	51,6	59,3	61,7	62,1	65,4	40	580	96	160	630	1,97



### 3.3 Kompaktna hidraulična crijeva (Compact hydraulic hoses)

---

#### 1 SC (DIN EN 857)

Cijev: sintetička guma otporna na ulje

Ojačanje: oplet od čelične žice visoke čvrstoće

Presvlaka: sintetička guma otporna na abraziju, ozon i vremenske uvjete

Raspon temperature: -40 °C do 100 °C (120 °C max)



Tube: oil resistant synthetic rubber

Reinforcement: one high tensile steel wire braid

Cover: abrasion, ozone and weather resistant synthetic rubber

Temperature range: -40 °C to 100 °C (120 °C max)

Inside $\phi$				Braid $\phi$		Outside $\phi$		Working pressure		Test pressure	Burst pressure	Bend radius	Weight
DN	inch	min	max	min	max	min	max	bar	psi	bar	bar	mm	kg/m
6	1/4"	6,5	6,9	9,6	10,2	11,5	12,2	225	3265	540	900	75	0,18
8	5/16"	8	8,5	10,9	11,7	13,1	14	215	3120	520	860	85	0,21
10	3/8"	9,6	10,1	12,7	13,5	15,1	16,2	180	2610	430	720	90	0,28
12	1/2"	12,8	13,4	16,1	16,9	18,9	19,9	160	2320	385	640	130	0,33
16	5/8"	16	16,7	19,8	20,7	21,7	22,7	130	1885	310	520	150	0,41
19	3/4"	19,1	19,8	23,4	24,4	25,4	26,5	105	1525	250	420	180	0,52
25	1"	25,5	26,4	30,7	31,4	32,6	33,7	88	1275	210	352	230	0,78



### 3.3 Kompaktna hidraulična crijeva (Compact hydraulic hoses)

---

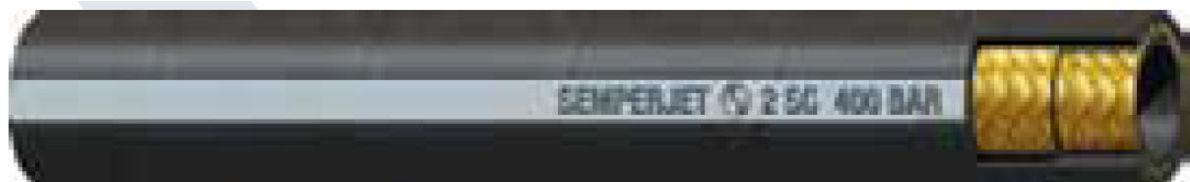
#### 2 SC (DIN EN 857)

Cijev: sintetička guma otporna na ulje

Ojačanje: oplet od čelične žice visoke čvrstoće

Presvlaka: sintetička guma otporna na abraziju, ozon i vremenske uvjete

Raspon temperature: -40 °C do 100 °C (120 °C max)



Tube: oil resistant synthetic rubber

Reinforcement: one high tensile steel wire braid

Cover: abrasion, ozone and weather resistant synthetic rubber

Temperature range: -40 °C to 100 °C (120 °C max)

DN	Inside $\phi$		Braid $\phi$		Outside $\phi$		Working pressure		Test pressure	Burst pressure	Bend radius	Weight	
	inch	min	max	min	max	min	max	bar	psi	bar	bar	mm	kg/m
6	1/4"	6,5	6,9	10,6	11,3	12,6	13,4	400	5800	960	1600	75	0,28
8	5/16"	8	8,5	12,1	12,9	14	15	350	5075	840	1400	85	0,33
10	3/8"	9,6	10,1	14,4	15,1	16	16,9	330	4785	790	1320	90	0,42
12	1/2"	12,8	13,4	17,5	18,4	19,4	20,4	275	3990	660	1100	130	0,52
16	5/8"	16	16,7	21,3	22,3	23,3	24,3	250	3625	600	1000	170	0,61
19	3/4"	19,1	19,8	25,1	26	26,9	28,1	215	3120	515	860	200	0,79
25	1"	25,5	26,4	32,5	33,4	34,9	36,1	165	2395	395	660	250	1,1

### 3.3 Kompaktna hidraulična crijeva (Compact hydraulic hoses)

---

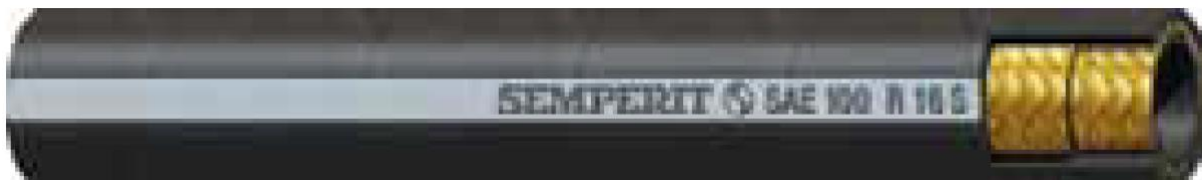
#### SAE 100 R16S (SAE J517)

Cijev: sintetička guma otporna na ulje

Ojačanje: oplet od čelične žice visoke čvrstoće

Presvlaka: sintetička guma otporna na abraziju, ozon i vremenske uvjete

Raspon temperature: -40 °C do 100 °C (120 °C max)



Tube: oil resistant synthetic rubber

Reinforcement: one high tensile steel wire braid

Cover: abrasion, ozone and weather resistant synthetic rubber

Temperature range: -40 °C to 100 °C (120 °C max)

DN	Inside $\phi$			Braid $\phi$		Outside $\phi$		Working pressure		Test pressure	Burst pressure	Bend radius	Weight
	inch	min	max	min	max	min	max	bar	psi	bar	bar	mm	kg/m
6	1/4"	6,5	6,9	11,3	12	13,3	14,1	400	5800	960	1600	50	0,26
8	5/16"	7,9	7,9	13,3	13,3	15,7	15,7	350	5075	840	1400	55	0,31
10	3/8"	9,6	10,1	14,7	15,4	16,5	17,4	330	4780	790	1320	65	0,4
12	1/2"	12,8	13,4	18	18,6	20	20,9	275	3980	660	1100	90	0,48
16	5/8"	16	16,7	21,5	22,3	23,4	24,3	250	3620	600	1000	100	0,55
19	3/4"	19,1	19,8	25,1	25,9	27,1	28,3	215	3110	515	860	120	0,71
25	1"	25,5	26,4	32,3	33,3	34,8	35,8	165	2390	395	660	150	1

### 3.3 Kompaktna hidraulična crijeva (Compact hydraulic hoses)

---

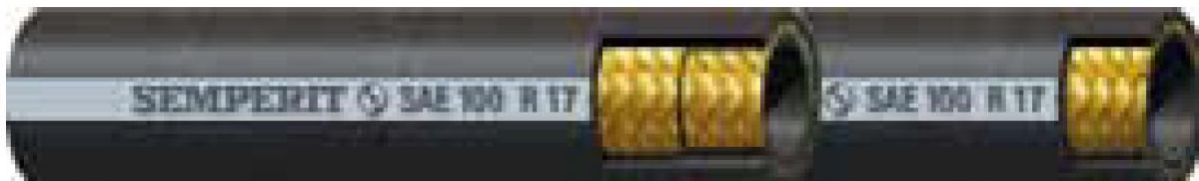
#### SAE 100 R 17 (SAE J 517)

Cijev: sintetička guma otporna na ulje

Ojačanje: do DN 12 jedan oplet, od DN 16 dupli oplet sa čeličnom žicom visoke čvrstoće

Presvlaka: sintetička guma otporna na abraziju, ozon i vremenske uvjete

Raspon temperature: -40 °C do 100 °C (120 °C max)



Tube: oil resistant synthetic rubber

Reinforcement: up to 1/2" one, from 5/8" two high tensile steel wire braids

Cover: abrasion, ozone and weather resistant synthetic rubber

Temperature range: -40 °C to 100 °C (120 °C max)

DN	Inside $\phi$		Braid $\phi$		Outside $\phi$		Working pressure		Test pressure	Burst pressure	Bend radius	Weight	
	inch	min	max	min	max	min	max	bar	psi	bar	bar	mm	kg/m
6	1/4"	6,5	6,9	10	10,7	11,9	12,7	210	3045	420	840	50	0,19
8	5/16"	8	8,5	11,6	12,3	13,7	14,5	210	3045	420	840	55	0,22
10	3/8"	9,6	10,1	13,5	14,4	15,4	16,3	210	3045	420	840	65	0,27
12	1/2"	12,8	13,4	17,1	18	19	19,9	210	3045	420	840	90	0,46
16	5/8"	16	16,7	21,3	22	23,2	24,2	210	3045	420	840	100	0,57
19	3/4"	19,1	19,8	25,1	25,9	26,9	28,1	210	3045	420	840	120	0,78
25	1"	25,5	26,4	33,4	34,5	35,5	36,7	210	3045	420	840	150	1,4

### 3.3 Kompaktna hidraulična crijeva (Compact hydraulic hoses)

---

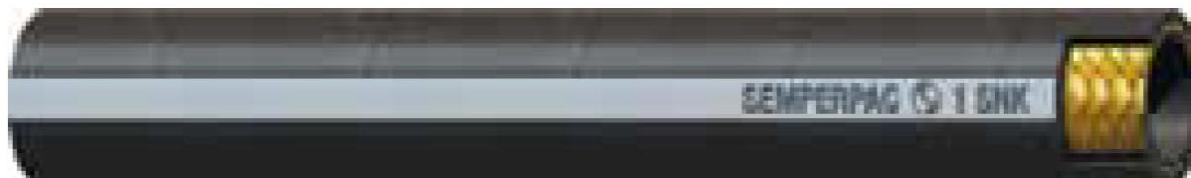
#### SEMPERPAC 1 SN-K

Cijev: sintetička guma otporna na ulje

Ojačanje: oplet od čelične žice visoke čvrstoće

Presvlaka: sintetička guma otporna na abraziju, ozon i vremenske uvjete

Raspon temperature: -40 °C do 100 °C (120 °C max)



Tube: oil resistant synthetic rubber

Reinforcement: one high tensile steel wire braid

Cover: abrasion, ozone and weather resistant synthetic rubber

Temperature range: -40 °C to 100 °C (120 °C max)

DN	Inside $\phi$		Braid $\phi$		Outside $\phi$		Working pressure		Test pressure	Burst pressure	Bend radius	Weight	
	inch	min	max	min	max	min	max	bar	psi	bar	bar	mm	kg/m
6	1/4"	6,5	6,9	9,8	10,3	11,6	12,3	290	4205	700	1160	40	0,18
8	5/16"	8	8,5	11,1	11,7	13,1	13,8	250	3625	600	1000	55	0,22
10	3/8"	9,6	10,1	13,2	13,8	15,4	16,3	230	3335	550	920	65	0,29
12	1/2"	12,8	13,4	16,5	17,1	18,7	19,4	200	2900	480	800	80	0,35
16	5/8"	16	16,7	19,8	20,7	21,7	22,7	150	2175	360	600	105	0,43
19	3/4"	19,1	19,8	23,3	24,2	25,5	26,5	125	1815	300	500	120	0,57
25	1"	25,5	26,4	30,7	31,4	32,6	33,7	110	1595	265	440	160	0,82
31	1.1/4"	32	33	39,6	40,8	42,8	44,3	100	1450	240	400	300	1,28



### 3.3 Kompaktna hidraulična crijeva (Compact hydraulic hoses)

---

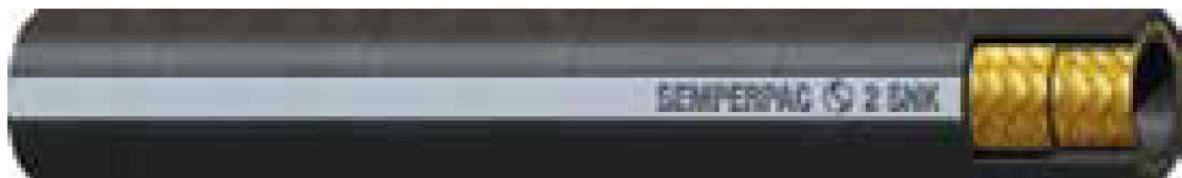
#### SEMPERPAC 2 SN-K

Cijev: sintetička guma otporna na ulje

Ojačanje: dupli oplet od čelične žice visoke čvrstoće

Presvlaka: sintetička guma otporna na abraziju, ozon i vremenske uvjete

Raspon temperature: -40 °C do 100 °C (120 °C max)



Tube: oil resistant synthetic rubber

Reinforcement: two high tensile steel wire braid

Cover: abrasion, ozone and weather resistant synthetic rubber

Temperature range: -40 °C to 100 °C (120 °C max)

Inside $\phi$				Braid $\phi$		Outside $\phi$		Working pressure		Test pressure	Burst pressure	Bend radius	Weight
DN	inch	min	max	min	max	min	max	bar	psi	bar	bar	mm	kg/m
6	1/4"	6,5	6,9	11,2	11,8	12,9	13,7	450	6525	1080	1800	45	0,29
8	5/16"	8	8,5	12,7	13,4	14,5	15,3	420	6090	1000	1680	60	0,34
10	3/8"	9,6	10,1	14,6	15,2	16,6	17,3	385	5585	925	1540	70	0,44
12	1/2"	12,8	13,4	18,4	19	20,3	21	345	5000	830	1380	90	0,54
16	5/8"	16	16,7	21,2	22	23,2	24,2	290	4205	695	1160	130	0,63
19	3/4"	19,1	19,8	25,3	26	27,2	28,3	280	4060	670	1120	160	0,84
25	1"	25,5	26,4	32,5	33,4	35,1	36,3	200	2900	480	800	210	1,14
31	1.1/4"	32	33	39,8	41,2	42,2	44,6	175	2540	420	700	300	1,52



### 3.4 Multispiralna hidraulična crijeva (Multispirals hydraulic hoses)

#### 4 SP (DIN EN 856)

Cijev: sintetička guma otporna na ulje

Ojačanje: četiri spiralna sloja čelične žice visoke čvrstoće

Presvlaka: sintetička guma otporna na abraziju, ozon i vremenske uvjete

Raspon temperature: -40 °C do 100 °C (120 °C max)



Tube: oil resistant synthetic rubber

Reinforcement: four high tensile steel wire spiral layers

Cover: abrasion, ozone and weather resistant synthetic rubber

Temperature range: -40 °C to 100 °C (120 °C max)

DN	Inside $\phi$			Braid $\phi$		Outside $\phi$		Working pressure		Test pressure	Burst pressure	Bend radius	Weight
	inch	min	max	min	max	min	max	bar	psi	bar	bar	mm	kg/m
6	1/4"	6	6	14,7	14,7	17,56	17,56	485	7030		2400	100	0,605
10	3/8"	9,6	10,1	17	17,8	20,6	21,4	445	6455	1070	1780	180	0,78
12	1/2"	12,8	13,4	20,1	21	23,8	24,6	425	6165	1020	1700	230	0,93
16	5/8"	16	16,7	23,8	24,6	27,4	28,2	350	5075	840	1400	250	1,17
19	3/4"	19,1	19,8	27,4	28,4	31,4	32,2	350	5075	840	1400	300	1,48
25	1"	25,5	26,4	34,5	35,6	38,5	39,3	280	4060	370	1120	340	2,02
31	1.1/4"	32	33	45,3	49,5	49,7	51,3	210	3045	500	840	460	3,05
38	1.1/2"	38,2	39,3	51,4	52,7	56	57,6	185	2685	445	740	560	3,52
51	2"	50,6	51,6	64,7	66	69,2	71,2	165	2395	395	660	660	5,2



### 3.4 Multispiralna hidraulična crijeva (Multispirals hydraulic hoses)

#### 4 SH (DIN EN 856)

Cijev: sintetička guma otporna na ulje

Ojačanje: četiri spiralna sloja čelične žice visoke čvrstoće

Presvlaka: sintetička guma otporna na abraziju, ozon i vremenske uvjete

Raspon temperature: -40 °C do 100 °C (120 °C max)



Tube: oil resistant synthetic rubber

Reinforcement: four high tensile steel wire spiral layers

Cover: abrasion, ozone and weather resistant synthetic rubber

Temperature range: -40 °C to 100 °C (120 °C max)

DN	Inside $\phi$		Braid $\phi$		Outside $\phi$		Working pressure		Test pressure	Burst pressure	Bend radius	Weight	
	inch	min	max	min	max	min	max	bar	psi	bar	bar	mm	kg/m
19	3/4"	19,1	19,8	27,6	28,5	31,4	32,4	420	6090	1000	1680	280	1,53
25	1"	25,5	26,4	34,8	35,9	37,5	39	380	5510	910	1520	340	2,06
31	1.1/4"	32	33	40,9	42,1	44,6	45,8	345	5000	830	1380	460	2,46
38	1.1/2"	38,2	39,3	48,4	49,6	52,2	53,5	290	4205	695	1160	560	3,35
51	2"	50,6	51,6	62,5	63,8	67,5	69,5	250	3625	660	1000	700	4,55



### 3.4 Multispiralna hidraulična crijeva (Multispirals hydraulic hoses)

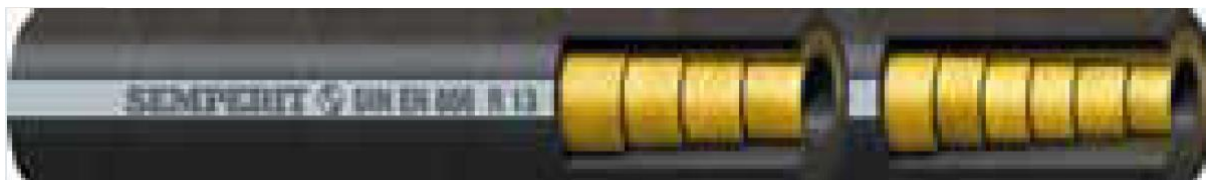
#### SAE 100 R13 (DIN EN 856)

Cijev: sintetička guma otporna na ulje

Ojačanje: četiri/šest spiralna sloja čelične žice visoke čvrstoće

Presvlaka: sintetička guma otporna na abraziju, ozon i vremenske uvjete

Raspon temperature: -40 °C do 100 °C (120 °C max)



Tube: oil resistant synthetic rubber

Reinforcement: four/six high tensile steel wire spiral layers

Cover: abrasion, ozone and weather resistant synthetic rubber

Temperature range: -40 °C to 100 °C (120 °C max)

DN	Inside $\phi$		Braid $\phi$		Outside $\phi$		Working pressure		Test pressure	Burst pressure	Bend radius	Weight	
	inch	min	max	min	max	min	max	bar	psi	bar	mm	kg/m	
19	3/4"	19,1	19,8	28,2	29	31,5	33	350	5075	700	1400	240	1,65
25	1"	25,5	26,4	34,9	36	38	39,8	350	5075	700	1400	300	2,25
31	1.1/4"	31,4	33	45,6	48	48,3	51,3	350	5075	700	1400	420	3,6
38	1.1/2"	37,7	39,3	53,1	55,5	55,8	58,8	350	5075	700	1400	500	4,75
51	2"	50,4	52	66,9	69,3	69,5	72,7	350	5075	700	1400	630	6,9



## 4 Industrijska crijeva (Industrial hoses)

### 4.1 Prehrambene tekućine (Food liquids)

#### Agrafarm



Cijev: glatka NBR guma bijele boje, prikladna za sterilizaciju parom niske temperature

Ojačanje: tekstilna mreža visoke čvrstoće

Presvlaka: hrapava guma crvene boje otporna na habanje i atmosferske utjecaje

Raspon temperature: -40 °C do 80 °C (max 120 °C)

Primjena: tlak vina, piva, likera, voćnih sokova, octa, pitke vode (posjeduje certifikat za protok prehrambenih tekućina)

Tube: smooth NBR white rubber, suitable for low temperature steam sterilization

Reinforcement: high-strength textile mesh

Cover: rough red rubber resistant to wear and weathering

Temperature range: -40 °C to 80 °C (120 °C max)

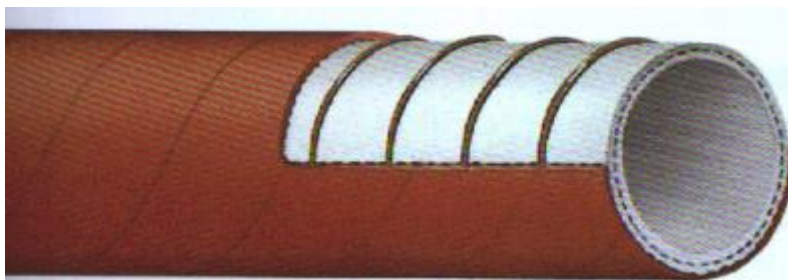
Applications: pressure of wine, beer, liqueur, fruit juices, vinegar, drinking water (has a certificate for the flow of food liquids)

Inside $\phi$	Outside $\phi$	Working pressure	Burst pressure	Bend radius	Weight
mm	mm	bar	bar	mm	kg/m
19	32	10	30	190	0,73
25	35	10	30	250	0,66
30	41	10	30	300	0,86
32	46	10	30	320	1,2
35	48	10	30	350	1,19
38	50	10	30	380	1,37
40	52	10	30	400	1,43
45	61	10	30	450	1,86
51	69	10	30	510	2,31
60	74	10	30	600	3,2
63	82	10	30	635	2,96
70	91	10	30	700	3,72
76	93	10	30	760	3,16
80	101	10	30	800	3,58
90	108	10	30	900	3,92
100	121	10	30	1000	5,11
120	140	10	30	1200	5,72

## 4.1 Prehrambene tekućine (Food liquids)

---

### Agrared



Cijev: glatka NBR guma bijele boje, prikladna za sterilizaciju parom niske temperature

Ojačanje: tekstilna mreža visoke čvrstoće i čelična spirala

Presvlaka: hrapava guma crvene boje otporna na habanje i atmosferske utjecaje

Raspon temperature: -40 °C do 80 °C (max 120 °C)

Primjena: tlak vina, piva, likera, voćnih sokova, bezalkoholnih pića, octa, pitke vode (posjeduje certifikat za protok prehrambenih tekućina)

Tube: smooth NBR white rubber, suitable for low temperature steam sterilization

Reinforcement: high-strength textile mesh and steel spiral wire

Cover: rough red rubber resistant to wear and weathering

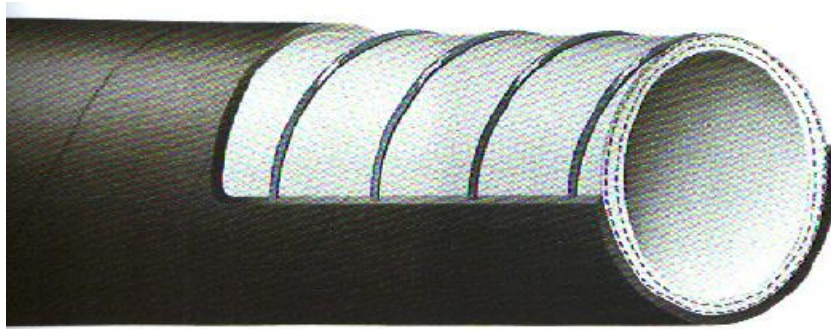
Temperature range: -40 °C to 80 °C (120 °C max)

Applications: pressure of wine, beer, liqueur, fruit juices, vinegar, drinking water (has a certificate for the flow of food liquids)

Inside $\phi$	Outside $\phi$	Working pressure	Burst pressure	Bend radius	Weight
mm	mm	bar	bar	mm	kg/m
25	38	10	30	200	0.92
30	44	10	30	240	1.16
32	42	8	24	256	0.83
35	49	10	30	280	1.32
38	50	10	30	304	1.00
40	52	10	30	320	1.46
45	59	10	30	360	1.63
51	65	10	30	400	2.05
60	74	10	30	480	2.55
63	76	10	30	508	1.96
70	87	10	30	560	2.99
76	88	10	30	608	2.21
80	97	10	30	640	3.37
90	107	10	30	720	3.76
100	120	10	30	800	4.93
110	129	10	30	880	5.09
120	141	10	30	960	6.15



### Agraspir



Cijev: glatka NR/SBR guma bijele boje

Ojačanje: tekstilna mreža visoke čvrstoće i čelična spirala

Presvlaka: hrapava guma crne boje otporna na habanje i atmosferske utjecaje

Raspon temperature: -30 °C do 80 °C

Primjena: usis i tlak brašna, šećera, žitarica, stočne i druge hrane u granulatu, melase, te drugih prehrambenih proizvoda

Tube: smooth NR/SBR white rubber

Reinforcement: high-strength textile mesh and steel spiral wire

Cover: rough black rubber resistant to wear and weathering

Temperature range: -30 °C to 80 °C

Applications: suction and pressure of flour, sugar, cereals, animal feed and other granular foods, molasses, and other food products

Inside $\phi$	Outside $\phi$	Working pressure	Burst pressure	Bend radius	Weight
mm	mm	bar	bar	mm	kg/m
50	65	4	12	400	1.93
76	93	4	12	450	3.10
80	93	4	12	650	2.95
90	102	4	12	730	3.31
100	118	4	12	800	3.88
110	128	4	12	880	4.23
120	135	4	12	930	4.96
125	143	4	12	1000	5.41
150	168	4	12	1200	6.42
180	197	4	12	1080	6.26
200	217	4	12	1200	7.07

## 4.1 Prehrambene tekućine (Food liquids)

### Cristalflex

Cijev: prozirni atoksični plastificirani PVC bez ftalata

Ojačanje: tvrdi PVC žute boje otporan na gaženje

Raspon temperature: -10 °C do 60 °C

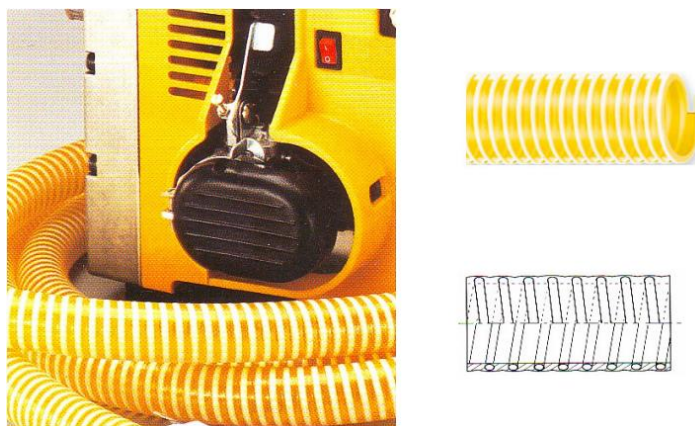
Primjena: usis i tlak pitke vode, mlijeka, vina, voćnih sokova i drugih prehrambenih tekućina

Tube: transparent atoxic plasticized phthalate-free PVC

Reinforcement: hard yellow PVC tread resistant

Temperature range: -10 °C to 60 °C

Applications: suction and pressure of drinking water, milk, wine, fruit juices and other food liquids



Diameter	Working pressure	Burst pressure	Vacuum	Bend radius	Weight
mm	bar	bar	bar	mm	kg/m
20	7	21	0.7	70	0.230
25	7	21	0.7	110	0.280
30	7	21	0.7	140	0.350
32	7	21	0.7	150	0.370
35	7	21	0.7	160	0.425
38	6	18	0.6	170	0.450
40	6	18	0.6	180	0.510
45	6	18	0.6	200	0.640
51	6	18	0.6	230	0.760
55	6	18	0.6	310	0.860
60	5	15	0.5	280	0.900
63	5	15	0.5	300	0.970
70	5	15	0.4	310	1.120
76	5	15	0.4	340	1.270
80	5	15	0.3	350	1.450
90	3	9	0.4	450	1.850
102	3	9	0.4	500	2.200
110	3	9	0.3	550	2.500
120	3	9	0.3	700	2.800
127	3	9	0.3	750	3.200
152	2	6	0.3	850	4.300
200	2	6	0.3	1000	6.500
250	1.5	4.5	0.3	1800	8.500
300	1	3	0.3	2000	11.000

## 4.1 Prehrambene tekućine (Food liquids)

---

### Food 500

Cijev: PE folije velike molekularne težine ojaane poliesterskom mrežom i unutarnjom spiralom (inox)

Presvlaka: impregnirani ojačani poliester plave boje otporan na habanje i atmosferske utjecaje s vanjskom spiralom (inox)

Raspon temperature: -40 °C do 100 °C

Primjena: usis i tlak svih vrsta prehrambenih tekućina (alkoholna pića, vino, pivo, mlijeko, ulje) i granulata (šećer, brašno, žitarice)

Tube: High molecular weight PE films reinforced with polyester mesh and inner spiral (stainless steel)

Cover: impregnated reinforced blue polyester resistant to wear and atmospheric influences with external spiral (stainless steel)

Temperature range: -40 °C to 100 °C

Applications: suction and pressure of all types of food liquids (alcoholic beverages, wine, beer, milk, oil) and granules (sugar, flour, cereals)



Diameter	Working pressure	Burst pressure	Bend radius	Weight	Max Length
mm	bar	bar	mm	kg/m	m
20	15	75	50	0.700	20
25	15	75	75	0.900	20
32	15	75	80	1	20
40	15	75	85	1,2	20
50	15	75	125	1,8	20
63	15	75	150	2,5	20
76	15	75	185	3	20
100	15	75	275	4,2	20



## 4.2 Crijeva otporna na abraziju (Abrasion resistant hoses)

### SHOTBLAST



- *Primjena:* Industrijsko crijevo proizvedeno za transport suh ili mokrih abrazivnih materijala. Posebno pogodno za pjeskarenje i sačmarenje, torkret i mortove. Visoke performanse i izdržljivost
- *Sastav:* Unutarnji dio: Visokootporna na abraziju, crna NR guma.  
Ojačanje: Visokočvrsti tekstil.  
Vanjski sloj: crna, antistatička, specijalna guma otporna na abraziju i vremenske uvjete
- *Radna temperatura:* -40 °C +70 °C

Ø in	Ø out	Working Pressure (bar)	Working pressure (psi)	Burst pressure (bar)	Burst pressure (psi)	Weight (kg/m)	Length (m)
13	25	12	180	36	540	0.46	61
19	33	12	180	36	540	0.66	20
19	33	12	180	36	540	0.66	40
25	39	12	180	36	540	0.83	20
25	39	12	180	36	540	0.83	40
25	39	12	180	36	540	0.83	40
32	48	12	180	36	540	1.14	20
32	48	12	180	36	540	1.14	40
38	54	12	180	36	540	1.30	20
38	54	12	180	36	540	1.30	40
40	57	12	180	36	540	1.50	20
40	57	12	180	36	540	1.50	40
51	69	12	180	36	540	1.98	20
51	69	12	180	36	540	1.98	40
60	80	12	180	36	540	2.40	20
76	96	12	180	36	540	2.70	20
80	100	12	180	36	540	3.25	20
90	110	12	180	36	540	3.50	20
102	122	12	180	36	540	4.00	20

## 4.2 Crijeva otporna na abraziju (Abrasion resistant hoses)

---

### Abracem



Cijev: glatka NR guma crne boje otporna na abrazivne materijale

Ojačanje: tekstilna mreža visoke čvrstoće

Presvlaka: antistatička hrapava NR guma crne boje otporna na habanje, atmosferske utjecaje i ozon

Raspon temperature: -40 °C do 90 °C

Primjena: tlak cementne prašine, šljunka, stočne hrane, zraka – koriste se za pretovar autocisterni i silosa

Tube: smooth NR black rubber resistant to abrasive materials

Reinforcement: high-strength textile mesh

Cover: antistatic rough black rubber resistant to wear, weathering and ozone

Temperature range: -40 °C to 90 °C

Applications: pressure of cement dust, gravel, fodder, air - used for transshipment of tank trucks and silos

Inside $\phi$	Outside $\phi$	Working pressure	Burst pressure	Bend radius	Weight
mm	mm	bar	bar	mm	kg/m
50	64	10	30	500	1,57
60	74	10	30	600	1,84
63	83	10	30	630	2,89
70	84	10	30	700	2,12
75	90	10	30	750	2,28
80	93	10	30	800	2,21
90	108	10	30	900	3,6
102	120	10	30	1000	3,85
110	128	10	30	1100	4,05
120	138	10	30	1200	4,56

## 4.2 Crijeva otporna na abraziju (Abrasion resistant hoses)

---

### Abraspir



Cijev: antistatička glatka NR guma crne boje otporna na abrazivne materijale

Ojačanje: tekstilna mreža visoke čvrstoće i čelična spirala

Presvlaka: antistatička hrapava NR guma crne boje otporna na habanje i atmosferske utjecaje

Raspon temperature: -40 °C do 70 °C

Primjena: usis i tlak suhog cementa, sitnog šljunka i drugih abrazivnih materijala

Tube: antistatic smooth NR black rubber resistant to abrasive materials

Reinforcement: high-strength textile mesh and steel spiral wire

Cover: antistatic rough black rubber resistant to wear and weathering

Temperature range: -40 °C to 70 °C

Applications: suction and pressure of dry cement, fine gravel and other abrasive materials

Inside $\phi$	Outside $\phi$	Working pressure	Burst pressure	Bend radius	Weight
mm	mm	bar	bar	mm	kg/m
50	64	10	30	300	1,83
60	74	10	30	360	2,16
65	79	10	30	390	2,32
70	84	10	30	420	2,47
75	90	10	30	450	2,63
80	95	10	30	480	2,8
90	107	10	30	540	3,7
100	117	10	30	600	4,06
110	127	10	30	660	4,48
125	143	10	30	750	5,43
150	170	10	30	1050	7,3

## 4.2 Crijeva otporna na abraziju (Abrasion resistant hoses)

---

### Abracorr hot



Cijev: antistatička ( $R < 1 \text{ M}\Omega$ ) glatka EPDM guma crne boje otporna na abraziju

Ojačanje: tekstilna mreža visoke čvrstoće i čelična spirala

Presvlaka: hrapava vodljiva ( $R < 1 \text{ M}\Omega$ ) valovita EPDM guma crne boje, otporna na habanje i atmosferske utjecaje

Raspon temperature:  $-30 \text{ }^\circ\text{C}$  do  $100 \text{ }^\circ\text{C}$

Primjena: usis i tlak vrućih prašastih i zrnatih abrazivnih materijala - koriste se naročito u cementarama

Tube: antistatic ( $R < 1 \text{ M}\Omega$ ) smooth black abrasion resistant EPDM rubber

Reinforcement: high-strength textile mesh and steel spiral wire

Cover: rough conductive ( $R < 1 \text{ M}\Omega$ ) corrugated EPDM black rubber, resistant to wear and weathering

Temperature range:  $-30 \text{ }^\circ\text{C}$  to  $100 \text{ }^\circ\text{C}$

Applications: suction and pressure of hot powder and granular abrasive materials - used especially in cement plants

Inside $\phi$	Outside $\phi$	Working pressure	Burst pressure	Bend radius	Weight
<i>mm</i>	<i>mm</i>	<i>bar</i>	<i>bar</i>	<i>mm</i>	<i>kg/m</i>
38	52	4	12	240	1,24
51	65	4	12	300	1,51
63	77	4	12	360	1,85
70	84	4	12	420	2,06
80	94	4	12	480	2,29
90	106	4	12	540	3,15
102	118	4	12	600	3,54
152	174	4	12	910	7,33

#### MULTI-WATER EPDM



Višenamjensko industrijsko crijevo ojačano čeličnom spiralom, tipa usisno–tlačno. Pogodno za prijenos različitih tekućina poput tople vode, laganih kemikalija, glikola ili industrijske otpadne vode. Može služiti i kao crijevo za zračni kompresor. Primjenjuje se u vozilima za odvoz septičkog sadržaja, HVAC chillerima i komponentama cjevovoda.

Vanjska stijenka crijeva otporna je na abraziju i zahtjevne okolišne uvjete, uključujući UV-zračenje i ozon. Crijevo je električki vodljivo, tj. otpor kroz stijenku  $R < 10^6 \Omega$ .

Unutarnji sloj	<b>EPDM</b>
Vanjski sloj	Crni EPDM
Ojačanje	Dvostruko tekstilno ojačanje, čelična spirala
Radni tlak	10 BAR
Tlak rasprskavanja	30 BAR
Temperaturni raspon	od -35°C do +120°C

Unutarnji promjer (mm)	Vanjski promjer (mm)	Vacuum (BAR)	Radius savijanja (mm)	Masa (kg/m)
19	29	1	76	0,59
25	35	1	100	0,72
32	42	1	128	0,89
38	48	1	152	1,16
51	61	1	204	1,45
63	75	0,9	252	2,00
76	88	0,9	304	2,30
90	104	0,9	356	3,01
102	116	0,9	408	3,80
127	142	0,9	608	5,01
152	166	0,9	760	6,66
203	221	0,9	812	9,88

#### STEAM HP ISO 210



Vrlo jako, visokotlačno gumeno crijevo za prijenos pregrijane i zasićene pare. Proizvedeno je u skladu s normom EN ISO 6134/2A (OHM) i ojačano tekstilnim i čeličnim vlaknima. Unutarnji sloj je ekstrudirana CIIR (klorobutilna guma), s vrlo niskom propusnošću pare (manjom od parnih crijeva s EPDM unutrašnjim slojem) te povećanom otpornosti na starenje/propadanje gume. Vanjski sloj otporan je na UV-zračenje, ozon, masnoće i kiseline te je otporan na habanje. Crijevo može privremeno prenositi pregrijanu paru na temperaturi do +232 °C. Vanjska konstrukcija crijeva je mikroperforirana što sprječava pojavu „popcorninga“. Nakon uporabe nužno je osušiti crijevo kako bi se spriječilo nakupljanje kondenzata iznutra. Crijevo se također ne smije istovremeno koristiti za vodu i paru.

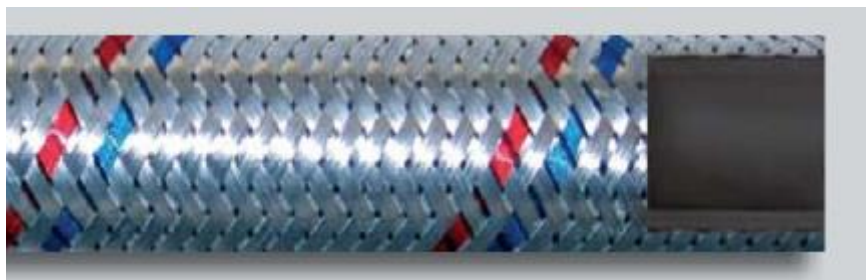
Unutarnji sloj	CIIR - ekstrudirana	
Vanjski sloj	EPDM	
Ojačanje	Čvrsto tekstilno ojačanje	Čelična spirala
Radni tlak	18 BAR	
Tlak rasprskavanja	180 BAR	
Temperaturni raspon	Od -40°C do +210°C	Do +232°C za pregrijanu paru
Vodljivost	R<10 <sup>6</sup> Ω	
Norme	EN ISO 6134 cat. A type 2	

Unutarnji promjer (mm)	Vanjski promjer (mm)	Radius savijanja (mm)
13	25	130
19	33	190
25	40	250
32	48	320
38	54	380
50	69	500

### 4.3 Topla voda i vodena para (Hot water and steam)

---

AC



Materijal cijevi: netoksična glatka EPDM guma crne boje

Oplet: pocinčana čelična žica AISI 1008 (paralelne crvena i plava pruga)

Raspon temperature: max 100 °C

Primjena: tlak tople vode i nekorozivnih tekućina - koriste se naročito za pumpe i autoklave

Hose material: non-toxic smooth black EPDM rubber

Braid: galvanized steel wire AISI 1008 (parallel red and blue stripe)

Temperature range: max 100 °C

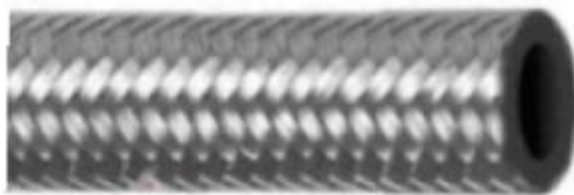
Application: pressure of hot water and corrosive liquids - used especially for pumps and autoclaves

Inside $\phi$	Outside $\phi$	Working pressure	Burst pressure	Bend radius
<i>mm</i>	<i>mm</i>	<i>bar</i>	<i>bar</i>	<i>mm</i>
10	15	15	75	40
13	20	15	75	60
16	22	12	70	70
19	27	10	60	80
25	34	10	50	100
32	44	10	45	160
40	54	6	40	180
50	64	6	40	230
60	74	6	30	350
70	84	6	30	500

### 4.3 Topla voda i vodena para (Hot water and steam)

---

LS



Materijal cijevi: netoksična glatka EPDM guma crne boje

Oplet: aluminijska žica

Raspon temperature: max 100 °C

Primjena: tlak pitke hladne i tople vode - koriste se za bojlere i vodokotlice

Hose material: non-toxic smooth black EPDM rubber

Braid: aluminium wire

Temperature range: max 90 °C

Application: drinking cold and hot water pressure - used for boilers and cisterns

Inside $\phi$	Outside $\phi$	Working pressure	Burst pressure	Bend radius
<i>mm</i>	<i>mm</i>	<i>bar</i>	<i>bar</i>	<i>mm</i>
8	12	10	70	45
10	14	10	70	55
13	17	10	60	65

### 4.3 Topla voda i vodena para (Hot water and steam)

---

#### Calorflat



Cijev: glatka SBR guma crne boje

Ojačanje: sintetska mreža

Presvlaka: hrapava NBR guma crne boje otporna na habanje, toplinu i ulje

Raspon temperature: -40 °C do 100 °C

Primjena: tlak tople vode, rashladnih tekućina i sredstava protiv zamrzavanja (glycol) - koriste se kod automobilskih hladnjaka i za ispuste

Tube: smooth SBR black rubber

Reinforcement: syntetic mesh

Cover: rough NBR black rubber resistant to wear, heat and oil

Temperature range: -40 °C to 100 °C

Applications: pressure of hot water, coolants and antifreeze (glycol) - used in car refrigerators and drains

Inside $\phi$	Outside $\phi$	Working pressure	Burst pressure	Bend radius	Weight
mm	mm	bar	bar	mm	kg/m
10	16	3	10	60	0.21
12	18	3	10	120	0.21
13	19	3	10	130	0.21
14	20	3	10	140	0.22
15	21	3	10	150	0.23
18	24	3	10	180	0.25
20	26	3	10	200	0.27
22	28	3	10	220	0.29
25	32	3	10	250	0.39
28	36	3	10	280	0.50
30	38	3	10	300	0.53
32	40	3	10	320	0.57
35	43	3	10	350	0.61
38	47	3	10	380	0.75
40	49	3	10	400	0.79
42	51	3	10	420	0.82
45	54	3	10	450	0.87
48	57	3	10	480	0.96
51	61	3	10	500	1,1
55	65	3	10	550	1,2
60	70	3	10	600	1,25
65	75	3	10	650	1,42
70	81	3	10	700	1,75
76	87	3	10	760	1,84
80	92	3	10	800	2,03
90	102	3	10	900	2,32
100	113	3	10	1000	2,72



#### Calorsteam



Cijev: glatka EPDM guma crne boje otporna na toplinu

Ojačanje: tekstilna mreža velike čvrstoće

Presvlaka: hrapava EPDM guma crne boje, izvedbe koja onemogućava stvaranje mjehurića, otporna na toplinu, starenje i atmosferske utjecaje - za prehrambenu industriju se vanjski sloj izrađuje u boji

Raspon temperature: -40 °C do 170 °C

Primjena: tlak zasićene pare - naročito se koriste za čišćenje i sterilizaciju spremnika i cjevovoda u industrijskim postrojenjima (nisu predviđene za kontinuirani 8 satni rad za što se preporučuju fleksibilne visokotlačne metalne cijevi)

Tube: smooth black heat-resistant EPDM rubber

Reinforcement: high-strength textile mesh

Cover: rough EPDM black rubber, bubble-proof, heat-resistant, aging and weather-resistant - for the food industry, the outer layer is made in color

Temperature range: -40 °C to 100 °C

Applications: saturated vapor pressure - especially used for cleaning and sterilization of tanks and pipelines in industrial plants (not intended for continuous 8-hour operation for which flexible high-pressure metal pipes are recommended)

Inside $\phi$	Outside $\phi$	Working pressure	Burst pressure	Bend radius	Weight
mm	mm	bar	bar	mm	kg/m
13	24	7	60	130	0.40
16	26	7	60	160	0.61
19	31	7	60	190	0.59
25	37	7	60	250	0.73
28	40	7	60	280	0.79
30	45	7	60	300	1,1
32	47	7	60	320	1,16
35	50	7	60	350	1,25
38	53	7	60	380	1,34
40	54	7	60	400	1,51
45	64	7	60	450	2,03
51	68	7	60	500	2
60	82	7	60	600	3,07
63	83	7	60	630	2,89
76	95	7	60	760	3,19

### 4.3 Topla voda i vodena para (Hot water and steam)

---

#### Calorflex



Cijev: glatka sintetska EPDM guma crne boje otporna na toplinu

Ojačanje: tekstilna mreža velike čvrstoće i čelična spirala

Presvlaka: spiralno "izbrazdana" sintetska guma otporna na habanje, more i atmosferske utjecaje

Raspon temperature: -40 °C do 120 °C

Primjena: usis i tlak tople vode - narocito se koristi za ispuh brodskih motora (mješavina povišene temperature ulja, nafte, morske vode)

Tube: smooth synthetic black heat-resistant EPDM rubber

Reinforcement: high-strength textile mesh and steel spiral wire

Cover: spirally "grooved" synthetic rubber resistant to wear, sea and atmospheric influences

Temperature range: -40 °C to 120 °C

Applications: hot water suction and pressure - especially used for marine engine exhaust (mixture of elevated oil, oil, seawater temperature)

Inside $\phi$	Outside $\phi$	Working pressure	Burst pressure	Bend radius	Weight
mm	mm	bar	bar	mm	kg/m
20	28	5	15	70	0.52
25	33	5	15	85	0.58
28	36	5	15	95	0.64
30	38	5	15	100	0.68
32	40	5	15	105	0.76
35	45	5	15	115	0.84
38	48	5	15	130	0.95
40	50	5	15	135	1.00
45	55	5	15	150	1,2
51	61	5	15	165	1,3
55	65	5	15	180	1,5
60	70	5	15	200	1,7
65	75	5	15	315	1,35
70	79	5	15	340	1,45
75	86	5	15	390	1,62
80	90	5	15	400	1,67
90	100	5	15	450	1,87
100	110	5	15	490	2,32
125	135	5	15	625	2,83



### 4.3 Topla voda i vodena para (Hot water and steam)

---

#### Calormaster



Standard: BS 5342 tip 2

Cijev: glatka EPDM guma velike otpornosti na toplinu

Ojačanje: čelična mreža (2 sloja)

Presvlaka: hrapava EPDM guma crne boje otporna na toplinu, habanje i atmosferske utjecaje; njeno mikroperforiranje onemogućava stvaranje potencijalno opasnih mjehurića - po posebnom zahtjevu se vanjski sloj izrađuje u boji

Raspon temperature: -40 °C do 210 °C

Primjena: tlak zasićene pare - koristi se u kemijskim i petrokemijskim postrojenjima (nisu predviđene za kontinuirani 8 satni rad za što se preporučuju fleksibilne visokotlačne metalne cijevi)

Standard: BS 5342 type 2

Tube: smooth EPDM rubber with high heat resistance

Reinforcement: steel mesh (2 layers)

Cover: rough EPDM black rubber resistant to heat, wear and weathering; its microperforation prevents the formation of potentially dangerous bubbles - on special request, the outer layer is made in color

Temperature range: -40 °C to 210 °C

Applications: saturated vapor pressure - used in chemical and petrochemical plants (not intended for continuous 8-hour operation, for which flexible high-pressure metal pipes are recommended)

Inside $\phi$	Outside $\phi$	Working pressure	Burst pressure	Bend radius	Weight
mm	mm	bar	bar	mm	kg/m
10	22	17	170	100	0.40
13	25	17	170	130	0.52
16	28	17	170	160	0.60
19	32	17	170	190	0.75
25	38	17	170	250	0.91
32	46	17	170	320	1,24
38	54	17	170	380	1,65
40	56	17	170	400	1,75
51	67	17	170	510	2,15
60	79	17	170	600	3,01
63	83	17	170	630	3,42
76	96	17	170	750	3,87
102	124	17	170	1000	5,1

## 4.4 Crijeva za kemikalije (Chemical products hoses)

### MULTI-CHEM EPDM



Kemijski otporno crijevo sa spiralnim ojačanjem, tip usisno-ispusno, namijenjeno za prijenos kemijski agresivnih tekućina kao što su kiseline, lužine, otapala i boje. Vanjski sloj crijeva otporan je na abraziju, habanje i utjecaje okoliša, uključujući UV zračenje i ozon.

Crijevo je potpuno vodljivo, s električnim otporom  $R < 10^6 \Omega$  kroz stijenku i  $R < 10^9 \Omega$  duž stijenke te je u skladu s normom EN 12115:2011.

Unutarnji sloj	EPDM
Vanjski sloj	Crni EPDM
Ojačanje	Dvostruko tekstilno ojačanje, čelična spirala
Radni tlak	16 BAR
Tlak rasprskavanja	64 BAR
Temperaturni raspon	od -35°C do +100°C
Norme	EN 12115:2011

Unutarnji promjer (mm)	Vanjski promjer (mm)	Vacuum – BAR	Radius savijanja (mm)	Masa (kg/m)
19	31	0,9	125	0,69
25	37	0,9	150	0,84
32	44	0,9	175	1,03
38	51	0,9	225	1,18
50	66	0,9	275	1,73
63	79	0,9	300	2,33
76	92	0,8	350	2,76
102	120	0,8	450	3,78

### MULTI-CHEM UPE OHM SD



Usisno i ispuhno crijevo namijenjeno za prijenos agresivnih kemijskih tekućina poput sumporne kiseline, fosforne kiseline i otapala. Vanjski sloj crijeva otporan je na abraziju i zahtjevne okolišne uvjete, uključujući UV zračenje, ozon i procese starenja.

Crijevo je potpuno vodljivo; električni otpor iznosi  $R < 10^6 \Omega$ , a kroz stijenu  $R < 10^9 \Omega$ . U skladu je s normom EN 12115.

Unutarnji sloj	UPE
Vanjski sloj	Crni EPDM
Ojačanje	Duplo tekstilno ojačanje, čelična spirala
Radni tlak	16 BAR
Tlak rasprskavanja	64 BAR
Područje radne temperature	Od -35°C do +100°C (ovisno o mediju)
Norme	EN 12115:2011

Unutarnji promjer (mm)	Vanjski promjer (mm)	Vacuum – BAR	Radius savijanja (mm)	Masa (kg/m)
19	31	0,9	188	0,68
25	37	0,9	225	0,83
32	44	0,9	263	1,01
38	51	0,9	338	1,16
50	66	0,9	413	1,82
63,5	79	0,9	450	2,51
75	91	0,8	525	2,88
100	116	0,8	675	3,87

##### Chemigen – EPDM



Standard: BS 2050

Cijev: glatka ekstrudirana antistatička EPDM guma crne boje otporna na toplinu

Ojačanje: tekstilna mreža velike čvrstoće

Presvlaka: glatka ekstrudirana EPDM guma crne boje otporna na atmosferske utjecaje i ozon

Raspon temperature: -40 °C do 120 °C

Primjena: tlak kiselina, lužina i soli manje koncentracije, boja i razređivača koji ne sadrže alifatske aromatske ugljikohidrate, morske vode i tople vode, urea (AdBlue), te plinova i fluida u atmosferi koja zahtjeva antistatičnost fleksibilne cijevi

Standard: BS 2050

Tube: smooth extruded antistatic black heat-resistant EPDM rubber

Reinforcement: high-strength textile mesh

Cover: smooth extruded EPDM black rubber resistant to weathering and ozone

Temperature range: -40 °C to 120 °C

Applications: pressure of acids, alkalis and salts of lower concentration, paints and thinners that do not contain aliphatic aromatic carbohydrates, sea water and hot water, urea (AdBlue), and gases and fluids in the atmosphere that requires antistatic flexible tube

Inside $\phi$	Outside $\phi$	Working pressure	Burst pressure	Weight
<i>mm</i>	<i>mm</i>	<i>bar</i>	<i>bar</i>	<i>kg/m</i>
10	19	20	60	0.26
13	21	20	60	0.27
16	25	20	60	0.37
19	29	20	60	0.47
25	36	20	60	0.65

##### Chemcord – EPM



Cijev: glatka EPM guma crne boje otporna na ozon, kisik, toplinu, vodenu paru, kemikalije i starenje - nije otporna na mineralna ulja, aromatske rastvorenje, alifate i spojeve na bazi klora

Ojačanje: tekstilna mreža velike čvrstoće

Presvlaka: hrapava EPDM guma crne boje otporna na habanje i atmosferske utjecaje

Raspon temperature: -35 °C do 100 °C

Primjena: tlak kemikalija na koje je otporan unutarnji sloj od EPM gume

Tube: smooth EPM black rubber resistant to ozone, oxygen, heat, water vapor, chemicals and aging - not resistant to mineral oils, aromatic solutions, aliphatics and base compounds chlorine

Reinforcement: high-strength textile mesh

Cover: rough EPDM black rubber resistant to wear and weathering

Temperature range: -35 °C to 100 °C

Applications: pressure of chemicals to which the inner layer of EPM rubber is resistant

Inside $\phi$	Outside $\phi$	Working pressure	Burst pressure	Bend radius	Weight
mm	mm	bar	bar	mm	kg/m
19	30	10	40	190	0.55
20	29	10	40	200	0.50
25	37	10	40	250	0.75
30	42	10	40	300	0.85
32	44	10	40	320	1.00
35	48	10	40	350	1,15
38	52	10	40	380	1,3
40	54	10	40	400	1,38
45	61	10	40	450	1,49
51	66	10	40	510	1,6
60	76	10	40	600	1,98
63	80	10	40	630	2,1
76	94	10	40	760	2,95
102	122	10	40	1020	4,3

##### Chemspir – EPM



Cijev: glatka EPM guma crne boje otporna na ozon, kisik, toplinu, vodenu paru, kemikalije i starenje - nije otporna na mineralna ulja, aromatske rastvore, alifate i spojeve na bazi klora

Ojačanje: tekstilna mreža velike čvrstoće i čelična spirala

Presvlaka: hrapava EPDM guma crne boje otporna na habanje i atmosferske utjecaje

Raspon temperature: -35 °C do 100 °C

Primjena: usis i tlak kemikalija na koje je otporan unutarnji sloj od EPM gume

Tube: smooth EPM black rubber resistant to ozone, oxygen, heat, water vapor, chemicals and aging - not resistant to mineral oils, aromatic solutions, aliphatics and base compounds chlorine

Reinforcement: high-strength textile mesh and steel spiral wire

Cover: rough EPDM black rubber resistant to wear and weathering

Temperature range: -35 °C to 100 °C

Applications: suction and pressure of chemicals to which the inner layer of EPM rubber is resistant

Inside $\phi$	Outside $\phi$	Working pressure	Burst pressure	Bend radius	Weight
<i>mm</i>	<i>mm</i>	<i>bar</i>	<i>bar</i>	<i>mm</i>	<i>kg/m</i>
25	37	10	40	150	0,85
30	42	10	40	236	1,05
32	46	10	40	256	1,25
35	49	10	40	265	1,38
38	52	10	40	280	1,5
40	54	10	40	290	1,7
51	65	10	40	330	2,3
60	74	10	40	480	2,66
63	78	10	40	500	2,96
70	84	10	40	540	3,4
76	92	10	40	570	4
80	96	10	40	640	5,3
102	118	10	40	600	6,4
127	147	10	40	780	8,2
152	172	10	40	1050	12,5
203	228	10	40	1580	17,8

##### Chemspir – UPE



Cijev: glatki polietilen velike molekularne težine (UPE) crne boje otporan na gotovo sve kemijske proizvode i aromatske rastvore - otporniji je na temperaturu od umreženog polietilena

Ojačanje: tekstilna mreža velike čvrstoće i čelična spirala

Presvlaka: hrapava EPDM guma crne ili zelene boje otporna na habanje i atmosferske utjecaje

Raspon temperature: -40 °C do 100 °C

Primjena: usis i tlak kemikalija, na koje je otporan unutarnji sloj od UPE gume, prehrambenih tekućina, pitke vode

Tube: black high molecular weight (UPE) smooth polyethylene resistant to almost all chemical products and aromatic solutions - more resistant to temperature than cross-linked polyethylene

Reinforcement: high-strength textile mesh and steel spiral wire

Cover: rough EPDM black or green rubber resistant to wear and weathering

Temperature range: -40 °C to 100 °C

Applications: suction and pressure of chemicals, to which the inner layer of UPE rubber, food liquids, drinking water is resistant

Inside $\phi$	Outside $\phi$	Working pressure	Burst pressure	Bend radius	Weight
mm	mm	bar	bar	mm	kg/m
19	30	16	64	130	0.75
25	37	16	64	150	0.98
30	42	10	40	240	1,1
32	46	16	64	256	1,4
35	48	10	40	280	1,5
38	52	16	64	304	1,6
40	54	10	40	350	1,4
51	65	16	64	450	2,1
60	75	10	40	520	2,6
63	78	16	64	550	2,8
76	94	16	64	600	3,9
80	96	10	40	630	4,5
102	122	16	64	800	5,5

##### Chemcord – FPM



Cijev: glatki viton (FPM) crne boje otporan na visoke temperature ulja i kemikalija - nije otporna na ketone

Ojačanje: tekstilna mreža velike čvrstoće i bakreni oplet

Presvlaka: hrapavi neopren (CR) crne boje otporan na atmosferske utjecaje, povišene temperature i ulja

Raspon temperature: -15 °C do 120 °C

Primjena: tlak kemikalija na koje je otporan unutarnji sloj od FPM gume

Tube: black smooth viton (FPM) resistant to high temperatures of oils and chemicals - not resistant to ketones

Reinforcement: high-strength textile mesh and copper braid

Cover: rough neoprene (CR) black color resistant to weathering, elevated temperatures and oils

Temperature range: -15 °C to 120 °C

Applications: pressure of chemicals to which the inner layer of FPM rubber is resistant

Inside $\phi$	Outside $\phi$	Working pressure	Burst pressure	Bend radius	Weight
mm	mm	bar	bar	mm	kg/m
19	29	10	40	125	0,55
25	35	10	40	160	0,69
30	42	10	40	190	1
32	46	10	40	200	1,2
38	54	10	40	240	1,6
40	56	10	40	240	1,66
50	68	10	40	300	2,3
60	78	10	40	360	2,7
63	81	10	40	360	2,8
75	93	10	40	450	3,1
80	98	10	40	480	3,3
100	120	10	40	600	4,6

## 4.5 Nafta i naftni derivati, hidraulično ulje (Petroleum and petroleum products)

### BR



Materijal cijevi: glatka NBR guma crne boje

Oplet: pocinčana čelična žica AISI 1008 (paralelne crvena i plava pruga)

Raspon temperature: -10 °C do 70 °C

Primjena: tlak nafte, hidrauličnog ulja, rashladnih emulzija

Hose material: non-toxic smooth black EPDM rubber

Braid: galvanized steel wire AISI 1008 (parallel red and blue stripe)

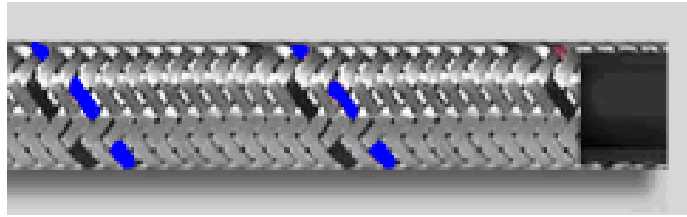
Temperature range: -10 °C to 70 °C

Application: oil pressure, hydraulic oil, cooling emulsions

Inside $\phi$	Outside $\phi$	Working pressure	Burst pressure	Bend radius
<i>mm</i>	<i>mm</i>	<i>bar</i>	<i>bar</i>	<i>mm</i>
5	10	15	75	30
6	11	15	75	30
8	13	15	75	40
10	15	15	75	45
13	19	15	60	50
16	22	10	60	70
19	25	10	50	80
25	33	10	45	100

## 4.5 Nafta i naftni derivati, hidraulično ulje (Petroleum and petroleum products)

TA



Materijal cijevi: glatka NBR guma crne boje otporna na ozon

Oplet: pocinčana čelična žica AISI 1008 (paralelne crna i plava pruga)

Raspon temperature: -40 °C do 100 °C (komprimirani zrak)

-40 °C do 80 °C (nafta)

-40 °C do 120 °C (hidraulično ulje)

Primjena: tlak komprimiranog zraka, nafte, hidrauličnog ulja

Hose material: non-toxic smooth black EPDM ozone resistant rubber

Braid: galvanized steel wire AISI 1008 (parallel black and blue stripe)

Temperature range: -40 °C to 100 °C (compressed air)

-40 °C to 80 °C (petroleum)

-40 °C to 120 °C (hydraulic oil)

Application: pressure of compressed air, oil, hydraulic oil

Inside $\phi$	Outside $\phi$	Working pressure	Burst pressure	Bend radius
<i>mm</i>	<i>mm</i>	<i>bar</i>	<i>bar</i>	<i>mm</i>
5	10	15	30	30
6	11	15	30	30
8	13	15	40	40
10	15	15	45	45
13	19	15	50	50
16	22	10	70	70
19	24	10	80	80
25	32	10	100	100



## 4.5 Nafta i naftni derivati, hidraulično ulje (Petroleum and petroleum products)

**BS**



Cijev: glatka NBR guma crne boje otporna na naftu, naftne derivate i hidraulično ulje

Ojačanje: samougasivi impregnirani vulkanizirani tekstil crne boje

Presvlaka: glatka guma crne boje otporna na ozon

Raspon temperature: 100 °C

Primjena: tlak benzina, nafte i hidrauličnog ulja

Tube: smooth black NBR rubber resistant to oil, petroleum products and hydraulic oil

Reinforcement: self-extinguishing impregnated vulcanized black textiles

Cover: smooth black ozone resistant rubber

Temperature range: 100 °C

Applications: gasoline, oil and hydraulic oil pressure

Inside $\phi$	Outside $\phi$	Working pressure	Burst pressure	Bend radius	Weight
<i>mm</i>	<i>mm</i>	<i>bar</i>	<i>bar</i>	<i>mm</i>	<i>kg/m</i>
3	7	10	30	25	0.04
4	8	10	30	35	0.05
5	10	10	30	40	0.08
6	11	10	30	50	0.10
8	13	10	30	65	0.11
10	17	10	30	80	0.19



## 4.5 Nafta i naftni derivati, hidraulično ulje (Petroleum and petroleum products)

### **Petrocar**



Standard: EN 1360 Tip 1

Cijev: glatka NBR guma crne boje otporna naftu i naftne derivate

Ojačanje: tekstilna mreža velike čvrstoće i bakreni oplet

Presvlaka: glatka NBR guma crne boje otporna na petrokemijske proizvode, habanje, atmosferske utjecaje i starenje

Raspon temperature: -30 °C do 55 °C

Primjena: tlak nafte, običnog benzina, super benzina i ekološkog benzina - koristi se na benzinskim postajama

Standard: EN 1360 Type 1

Tube: smooth NBR black rubber resistant to oil and petroleum products

Reinforcement: textile mesh and copper braid

Cover: smooth black NBR rubber resistant to petrochemicals, wear, weathering and aging

Temperature range: -30 °C to 55 °C

Applications: pressure of oil, ordinary gasoline, super gasoline and ecological gasoline - used at gas stations

Inside $\phi$	Outside $\phi$	Working pressure	Burst pressure	Weight
<i>mm</i>	<i>mm</i>	<i>bar</i>	<i>bar</i>	<i>kg/m</i>
13	21,5	16	48	0.260
16	26	16	48	0.350
19	29	16	48	0.400
25	36.5	16	48	0.570

### MULTI 20 D



Visoko izdržljivo, višenamjensko ispušno/odvodno crijevo pogodno za prijenos komprimiranog zraka (uključujući nauljeni zrak), industrijske vode i mulja.

Koristi se, primjerice, kao visokotlačno crijevo s prihvaticima tipa „claw“ (spojnice) kao što su ATLAS COPCO, za pneumatske čekiće te kao komponenta u cjevovodima.

Vanjski sloj otporan je na UV zračenje, ozon, oštre okolišne uvjete, abraziju i blage kemikalije. Zahvaljujući mješavini sintetičke gume u unutrašnjosti, crijevo je otporno na habanje i onečišćenje uljem.

Unutarnji sloj	SBR
Vanjski sloj	EPDM
Ojačanje	Dvostruko tekstilno ojačanje
Radni tlak	20 BAR
Tlak rasprskavanja	60 BAR
Temperaturni raspon	Od -30 °C do +80 °C

Unutarnji promjer (mm)	Vanjski promjer (mm)
19	30
25	37
32	44
38	52
51	66
63	79
76	92
102	118

## 4.6 Zrak i plin (Air and gas hoses)

---

### GC



Materijal cijevi: glatka termoplastična guma (NO 8 i 13), NBR guma (NO 10)  
odnosno CR guma (NO 19 i NO 25)

Oplet: aluminijska žica sa 2 paralelne žute pruge (NO 8 i 13), odnosno čelčna pocinčana žica  
sa 2 paralelne žute pruge (NO 10, 19 i 25)

Standardi: UNI CIG 7140 IMQ (NO 8 i 13)  
DIN 22103/94 (NO 19)  
ASTM C542 (NO 25)

Primjena: tlak inertnih plinova (propana, butana, metana, gradskog plina)

Hose material: smooth thermoplastic rubber (NO 8 and 13), NBR rubber (NO 10) and CR  
rubber (NO 19 and NO 25)

Braid: aluminum wire with 2 parallel yellow stripes (NO 8 and 13), or galvanized steel wire  
with 2 parallel yellow stripes (NO 10, 19 and 25)

Standards: -40 ° C to 100 ° C (compressed air)  
-40 ° C to 80 ° C (petroleum)  
-40 ° C to 120 ° C (hydraulic oil)

Application: pressure of inert gases (propane, butane, methane, city gas)

NO	Inside $\phi$	Outside $\phi$	Working pressure	Burst pressure	Bend radius
-	mm	mm	bar	bar	mm
NO 8	8	15	15	80	45
NO 10	10	16	12	60	60
NO 13	13	21	12	60	60
NO 19	19	30	10	30	80
NO 25	25	36	20	60	150

## 4.6 Zrak i plin (Air and gas hoses)

---

### Aersuper



Cijev: glatka sintetska guma bijele boje prehrambene kvalitete otporna na zauljeni zrak

Ojačanje: tekstilna mreža

Presvlaka: hrapava sintetska guma plave boje otporna na atmosferske utjecaje i starenje

Raspon temperature: -40 ° C do 160 ° C °C

Primjena: tlak komprimiranog vrućeg zraka – montira se na kompresore kamiona cisterni za transport proizvoda poput cementa, granulata, žita

Tube: smooth synthetic rubber of food quality resistant to oily air

Reinforcement: textile net

Cover: rough synthetic rubber resistant to weathering and aging

Temperature range: -40 ° C to 160 ° C

Applications: compressed hot air pressure - mounted on tank truck compressors for transport of products such as cement, granules, grain

Inside $\phi$	Outside $\phi$	Working pressure	Burst pressure	Weight
<i>mm</i>	<i>mm</i>	<i>bar</i>	<i>bar</i>	<i>kg/m</i>
38	49	10	30	1,05
42	53	10	30	1,15
51	62	10	30	1,37
60	72	10	30	1,74
63	75	10	30	1,75
70	84	10	30	2,37
76	90	10	30	2,56
90	104	10	30	2,99
102	116	10	30	3,36

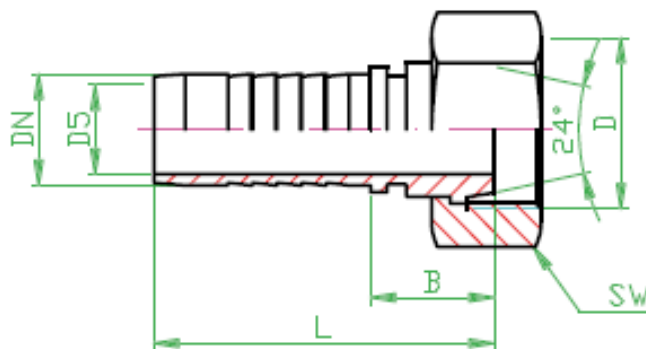
## 5 Priključni elementi (Couplings)

### 5.1 Visokotlačni hidraulični priključci (High pressure hydraulic hose fittings)

#### DKL

Tip priključka: konus 24°i 60°, lagana serija

Type connections: cone 24°and 60°, light series



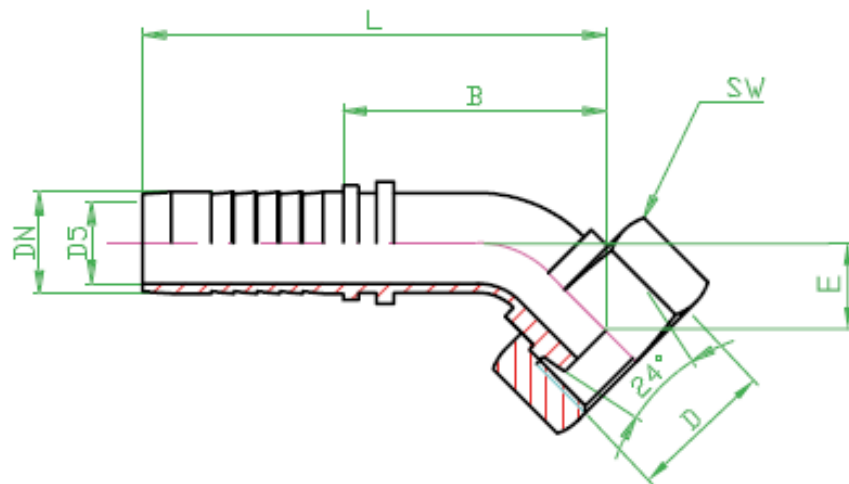
Hose bore		Thread	Dimensions, mm				Marking
DN	inch	D	D5	L ±3	B ±3	SW	
6	1/4"	M12x1,5	3,6	49	22	17	DKL 06 - M12x1,5
6	1/4"	M14x1,5	3,6	46,5	19,5	17	DKL 06 - M14x1,5
8	5/16"	M16x1,5	6	48	19,5	19	DKL 08 - M16x1,5
10	3/8"	M18x1,5	7	51	20,5	22	DKL 10 - M18x1,5
12	1/2"	M22x1,5	10	52	21	27	DKL 12 - M22x1,5
16	5/8"	M26x1,5	13	56	22	32	DKL 16 - M26x1,5
16	5/8"	M27x1,5	13	56	22	32	DKL 16 - M27x1,5
16	5/8"	M18x2	13	56	22	32	DKL 16 - M18x2
19	3/4"	M30x2	16	62	23	36	DKL 20 - M30x2
19	3/4"	M30x1,5	16	62	23	36	DKL 20 - M30x1,5
25	1"	M36x2	21	79	31	41	DKL 25 - M36x2
25	1"	M38x1,5	21	79	31	41	DKL 25 - M38x1,5
31	1 1/4"	M45x2	26	84	31	55	DKL 31 - M45x2
31	1 1/4"	M45x1,5	26	84	33	55	DKL 31 - M45x1,5
38	1 1/2"	M52x2	33	90	33	60	DKL 40 - M52x2
38	1 1/2"	M52x1,5	33	90	33	60	DKL 40 - M52x1,5
51	2"	M65x2	40	109	33	60	DKL 51 - M65x2

## 5.1 Visokotlačni hidraulični priključci (High pressure hydraulic hose fittings)

### DKL 45°

Tip priključka: konus 24°i 60°, lagana serija

Type connections: cone 24°and 60°, light series



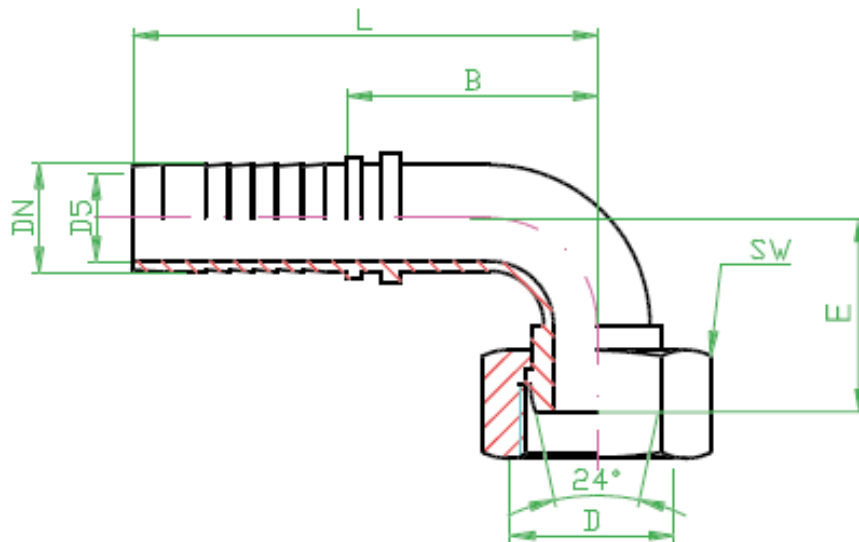
Hose bore		Thread	Dimensions, mm					Marking	
DN	inch	D	D5	L ±3	B ±3	E ±3	SW		
6	1/4"	M14x1,5	4	62	35	16	17	DKL 06-45° - M14x1,5	
8	5/16"	M16x1,5	5,5	65	38	18	19	DKL 08-45° - M16x1,5	
10	3/8"	M18x1,5	7	67	37	18	22	DKL 010-45° - M18x1,5	
12	1/2"	M22x1,5	10	80	49	22	27	DKL 012-45° - M22x1,5	
16	5/8"	M26x1,5	12,6	96	62	26	32	DKL 016-45° - M26x1,5	
19	3/4"	M30x2	on request						DKL 20-45° - M30x2
25	1"	M36x2	on request						DKL 25-45° - M36x2

## 5.1 Visokotlačni hidraulični priključci (High pressure hydraulic hose fittings)

### DKL 90°

Tip priključka: konus 24°i 60°, lagana serija

Type connections: cone 24°and 60°, light series



Hose bore		Thread	Dimensions, mm					Marking	
DN	inch	D	D5	L ±3	B ±3	E ±3	SW		
6	1/4"	M14x1,5	4	53	26	28	17	DKL 06-90° - M14x1,5	
8	5/16"	M16x1,5	5,5	57	30	31	19	DKL 08-90° - M16x1,5	
10	3/8"	M18x1,5	7	60	30	31	22	DKL 10-90° - M18x1,5	
12	1/2"	M22x1,5	10	73	42	40	27	DKL 12-90° - M22x1,5	
16	5/8"	M26x1,5	12,6	86	52	47	32	DKL 16-90° - M26x1,5	
19	3/4"	M30x2	on request						DKL 20-90° -M30x2
25	1"	M36x2	on request						DKL 25-90° -M36x2

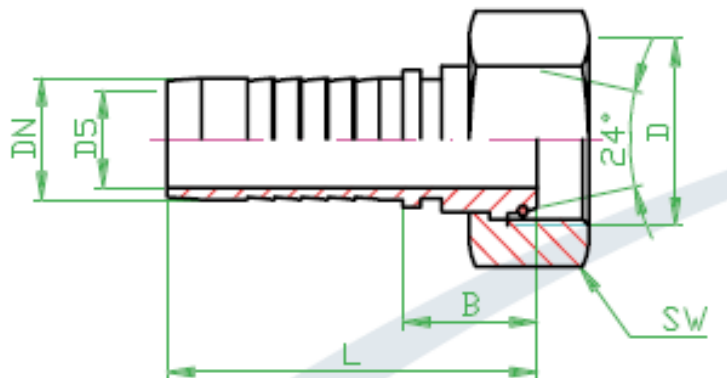


## 5.1 Visokotlačni hidraulični priključci (High pressure hydraulic hose fittings)

### DKOL

Tip priključka: konus 24°, DIN 2353, laka serija L, O ring – NBR, VITON na zahtjev

Type connection: cone 24°, DIN 2353, light series L, O ring - NBR, VITON on request



Hose bore		Thread	Dimensions, mm				Marking
DN	inch	D	D5	L ±3	B ±3	SW	
6	1/4"	M12x1,5	2,8	53	27	14	DKOL 06 - M12x1,5
6	1/4"	M14x1,5	3,6	49	22	17	DKOL 06 - M14x1,5
6	1/4"	M16x1,5	4	50	23	19	DKOL 06 - M16x1,5
8	5/16"	M14x1,5	4	54	26	17	DKOL 08 - M14x1,5
8	5/16"	M16x1,5	6	52	24	19	DKOL 08 - M16x1,5
8	5/16"	M18x1,5	5,5	50	23	22	DKOL 08 - M18x1,5
10	3/8"	M16x1,5	5,5	58	28	19	DKOL 10 - M16x1,5
10	3/8"	M18x1,5	7	52,5	22	22	DKOL 10 - M18x1,5
10	3/8"	M22x1,5	7	56	26	27	DKOL 10 - M22x1,5
12	1/2"	M18x1,5	7	62	31	22	DKOL 12 - M18x1,5
12	1/2"	M22x1,5	10	57	25	27	DKOL 12 - M22x1,5
12	1/2"	M26x1,5	10	59	28	32	DKOL 12 - M26x1,5
16	5/8"	M22x1,5	10	64	30	27	DKOL 16 - M22x1,5
16	5/8"	M26x1,5	13	61	27	32	DKOL 16 - M26x1,5
16	5/8"	M30x2	13	63	29	36	DKOL 16 - M30x2
19	3/4"	M26x1,5	11	71	32	32	DKOL 20 - M26x1,5
19	3/4"	M30x2	16	67	28	36	DKOL 20 - M30x2
19	3/4"	M36x2	15	71	33	41	DKOL 20 - M36x2
25	1"	M30x2	15	84	37	36	DKOL 25 - M30x2
25	1"	M36x2	21	78	31	41	DKOL 25 - M36x2
25	1"	M45x2	21	84	37	50	DKOL 25 - M45x2
31	1 1/4"	M36x2	21	94	39	41	DKOL 32 - M36x2
31	1 1/4"	M45x2	26	87	34	55	DKOL 32 - M45x2
38	1 1/2"	M45x2	27	98	41	55	DKOL 40 - M45x2
38	1 1/2"	M52x2	33	94	36	60	DKOL 40 - M52x2

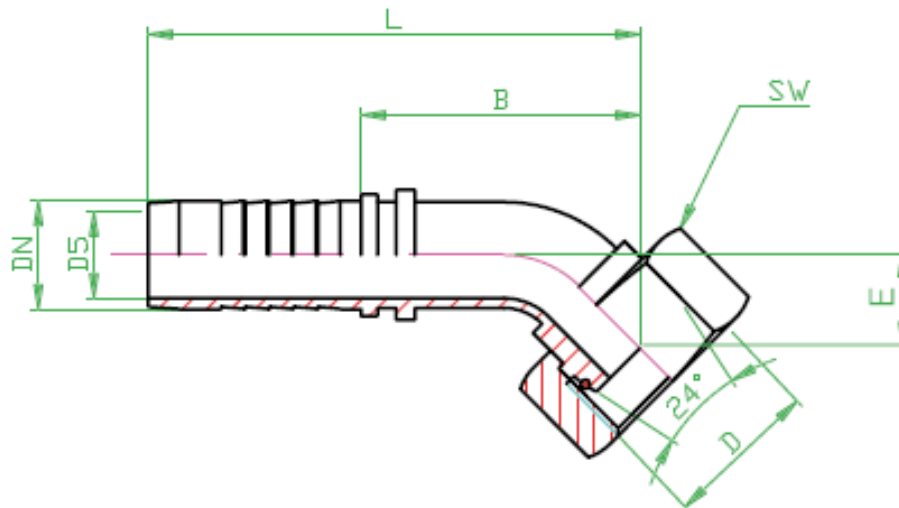


## 5.1 Visokotlačni hidraulični priključci (High pressure hydraulic hose fittings)

### DKOL 45°

Tip priključka: konus 24°, DIN 2353, laka serija L, O ring – NBR, VITON na zahtjev

Type connection: cone 24°, DIN 2353, light series L, O ring - NBR, VITON on request



Hose bore		Thread	Dimensions, mm					Marking
DN	inch	D	D5	L ±3	B ±3	E ±3	SW	
6	1/4"	M12x1,5	2,8	63	40	15	14	DKOL 06-45° M12x1,5
6	1/4"	M14x1,5	4	68	41	16	17	DKOL 06-45° M14x1,5
6	1/4"	M16x1,5	4	65	38	19	19	DKOL 06-45° M16x1,5
8	5/16"	M14x1,5	4	68	44	18	17	DKOL 08-45° M14x1,5
8	5/16"	M16x1,5	5,5	72	45	18	19	DKOL 08-45° M16x1,5
8	5/16"	M18x1,5	5,5	69	45	20	22	DKOL 08-45° M18x1,5
10	3/8"	M16x1,5	5,5	74	44	18	19	DKOL 10-45° M16x1,5
10	3/8"	M18x1,5	7	70	40	18	22	DKOL 10-45° M18x1,5
10	3/8"	M22x1,5	7	66	36	19	27	DKOL 10-45° M22x1,5
12	1/2"	M18x1,5	8	83	52	23	22	DKOL 12-45° M18x1,5
12	1/2"	M22x1,5	10	83	52	23	27	DKOL 12-45° M22x1,5
12	1/2"	M26x1,5	10	81	50	23	32	DKOL 12-45° M26x1,5
16	5/8"	M22x1,5	10	99	65	28	27	DKOL 16-45° M22x1,5
16	5/8"	M26x1,5	13	98	64	25	32	DKOL 16-45° M26x1,5
16	5/8"	M30x2	12,6	98	64	28	36	DKOL 16-45° M30x2
19	3/4"	M26x1,5	11	116	77	34	32	DKOL 20-45° M26x1,5
19	3/4"	M30x2	14,8	116	77	34	36	DKOL 20-45° M30x2
19	3/4"	M36x2	14,8	114	75	32	41	DKOL 20-45° M36x2
25	1"	M30x2	14	129	83	38	36	DKOL 25-45° M30x2
25	1"	M36x2	21	128	82	37	41	DKOL 25-45° M36x2
25	1"	M45x2	21	129	83	39	50	DKOL 25-45° M45x2
31	1 1/4"	M36x2	21	169	115	40	41	DKOL 32-45° M36x2
31	1 1/4"	M45x2	26,5	162	107	45	50	DKOL 32-45° M45x2
38	1 1/2"	M45x2	27	170	112	51	50	DKOL 40-45° M45x2
38	1 1/2"	M52x2	32,8	181	120	58	60	DKOL 40-45° M52x2

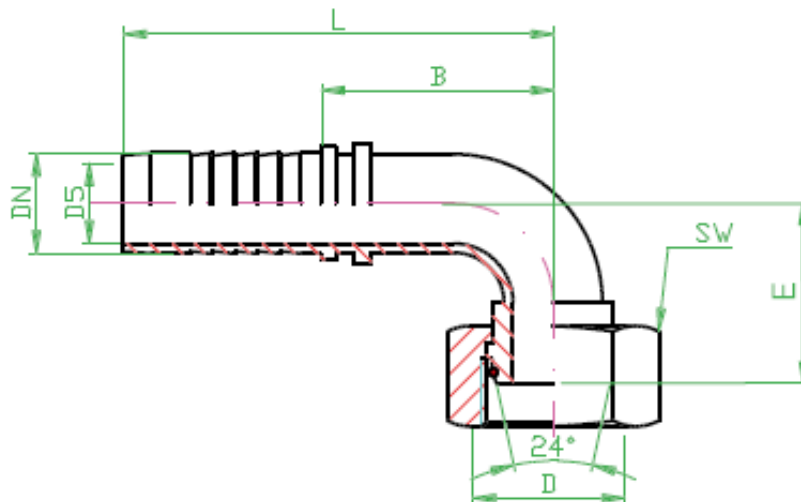


## 5.1 Visokotlačni hidraulični priključci (High pressure hydraulic hose fittings)

### DKOL 90°

Tip priključka: konus 24°, DIN 2353, laka serija L, O ring – NBR, VITON na zahtjev

Type connection: cone 24°, DIN 2353, light series L, O ring - NBR, VITON on request



Hose bore		Thread	Dimensions, mm					Marking
DN	inch	D	D5	L ±3	B ±3	E ±3	SW	
6	1/4"	M12x1,5	2,8	53	26	29	14	DKOL 06-90° M12x1,5
6	1/4"	M14x1,5	4	53	26	30	17	DKOL 06-90° M14x1,5
6	1/4"	M16x1,5	4	53	26	32	19	DKOL 06-90° M16x1,5
8	5/16"	M14x1,5	4	57	30	33	17	DKOL 08-90° M14x1,5
8	5/16"	M16x1,5	5,5	57	30	34	19	DKOL 08-90° M16x1,5
8	5/16"	M18x1,5	5,5	57	30	34	22	DKOL 08-90° M18x1,5
10	3/8"	M16x1,5	5,5	60	30	36	19	DKOL 10-90° M16x1,5
10	3/8"	M18x1,5	7	60	30	34	22	DKOL 10-90° M18x1,5
10	3/8"	M22x1,5	7	60	30	33	27	DKOL 10-90° M22x1,5
12	1/2"	M18x1,5	8	73	42	44	22	DKOL 12-90° M18x1,5
12	1/2"	M22x1,5	10	73	42	43	27	DKOL 12-90° M22x1,5
12	1/2"	M26x1,5	10	73	42	41	32	DKOL 12-90° M26x1,5
16	5/8"	M22x1,5	10	86	52	52	27	DKOL 16-90° M22x1,5
16	5/8"	M26x1,5	13	81	47	48	32	DKOL 16-90° M26x1,5
16	5/8"	M30x2	12,6	86	52	54	36	DKOL 16-90° M30x2
19	3/4"	M26x1,5	11	99	60	64	32	DKOL 20-90° M26x1,5
19	3/4"	M30x2	14,8	99	60	62	36	DKOL 20-90° M30x2
19	3/4"	M36x2	14,8	99	60	63	41	DKOL 20-90° M36x2
25	1"	M30x2	14	114	68	72	36	DKOL 25-90° M30x2
25	1"	M36x2	21	114	68	71	41	DKOL 25-90° M36x2
25	1"	M45x2	21	114	68	77	50	DKOL 25-90° M45x2
31	1 1/4"	M36x2	21	148	94	87	41	DKOL 32-90° M36x2
31	1 1/4"	M45x2	26,5	148	94	84	50	DKOL 32-90° M45x2
38	1 1/2"	M45x2	27	162	105	106	50	DKOL 40-90° M45x2
38	1 1/2"	M52x2	32,8	162	105		60	DKOL 40-90° M52x2

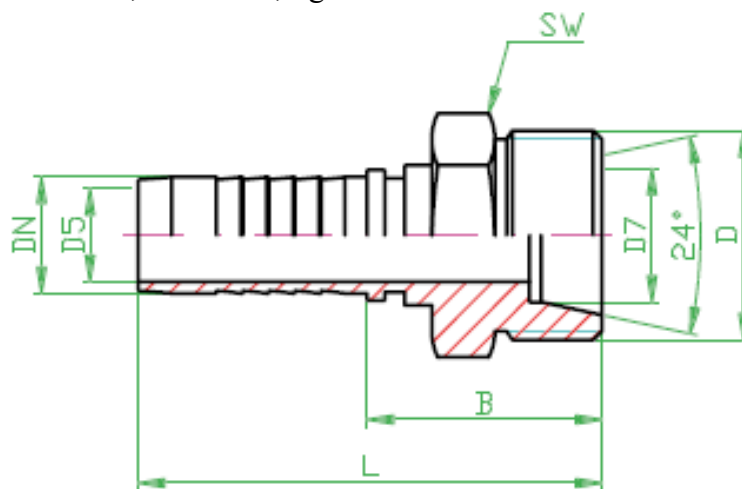


## 5.1 Visokotlačni hidraulični priključci (High pressure hydraulic hose fittings)

### CEL

Tip priključka: konus 24°, DIN 2353, laka serija L

Type connection: cone 24°, DIN 2353, light series L

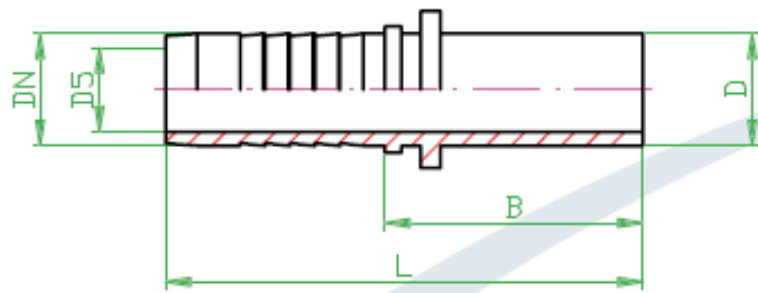


Hose bore		Thread	Dimensions, mm				Marking
DN	inch	D	D5	L ±3	B ±3	SW	
6	1/4"	M12x1,5	4	50	23	14	CEL 06 - M12x1,5
6	1/4"	M14x1,5	4	50	23	14	CEL 06 - M14x1,5
6	1/4"	M16x1,5	4	54	27	17	CEL 06 - M16x1,5
6	1/4"	M14x1,5	5,5	51	24	14	CEL 06 - M14x1,5
8	5/16"	M16x1,5	5,5	52	25	17	CEL 08 - M16x1,5
8	5/16"	M18x1,5	5,5	54	27	19	CEL 08 - M18x1,5
8	5/16"	M16x1,5	7	54	24	17	CEL 8 - M16x1,5
10	3/8"	M18x1,5	7	54,5	23,5	24	CEL 10 - M18x1,5
10	3/8"	M22x1,5	7	58	28	22	CEL 10 - M22x1,5
10	3/8"	M18x1,5	7	61	30	19	CEL 10 - M18x1,5
12	1/2"	M22x1,5	10	57	26	22	CEL 12 - M22x1,5
12	1/2"	M26x1,5	10	61	30	27	CEL 12 - M26x1,5
12	1/2"	M22x1,5	13	70	36	22	CEL 12 - M22x1,5
16	5/8"	M26x1,5	13	61	29	27	CEL 16 - M26x1,5
16	5/8"	M30x2	13	65	31	30	CEL 16 - M30x2
16	5/8"	M26x1,5	15	76	37	27	CEL 16 - M26x1,5
19	3/4"	M30x2	15	69	30	32	CEL 20 - M30x2
19	3/4"	M36x2	15	73	34	36	CEL 20 - M36x2
19	3/4"	M30x2	15	88	42	30	CEL 20 - M30x2
25	1"	M36x2	21	78	32	36	CEL 25 - M36x2
25	1"	M45x2	21	90	44	46	CEL 25 - M45x2
25	1"	M36x2	21	103	49	36	CEL 25 - M36x2
31	1 1/4"	M45x2	27	99	37	46	CEL 32 - M45x2
31	1 1/4"	M45x2	21	112	55	46	CEL 32 - M45x2
38	1 1/2"	M52x2	27	97	40	55	CEL 40 - M52x2



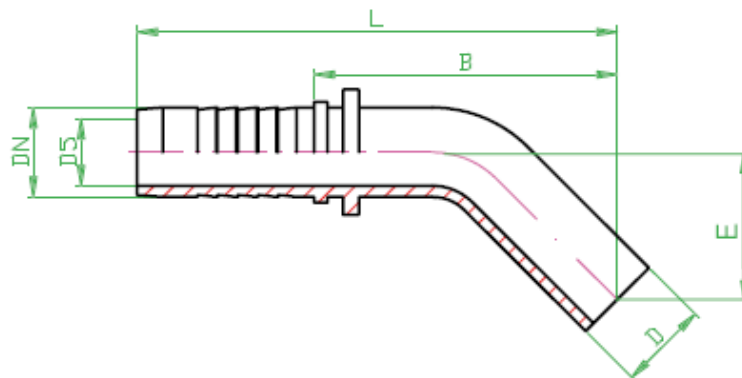
## 5.1 Visokotlačni hidraulični priključci (High pressure hydraulic hose fittings)

### BEL



Hose bore		Pipe	Dimensions, mm			Marking
DN	inch	D	D5	L ±3	B ±3	
6	1/4"	08L	4	57	30	BEL 06 - 08L
8	5/16"	10L	5,5	57	30	BEL 08 - 10L
10	3/8"	12L	7	62	32	BEL 10 - 12L
12	1/2"	15L	10	67	36	BEL 12 - 15L
16	5/8"	18L	13	72	38	BEL 16 - 18L
19	3/4"	22L	15	80	41	BEL 20 - 22L
25	1"	28L	21	99	47	BEL 25 - 28L
31	1 1/4"	35L	27	101	47	BEL 32 - 35L
38	1 1/2"	42L	33	130	47	BEL 40 - 42L

### BEL 45°

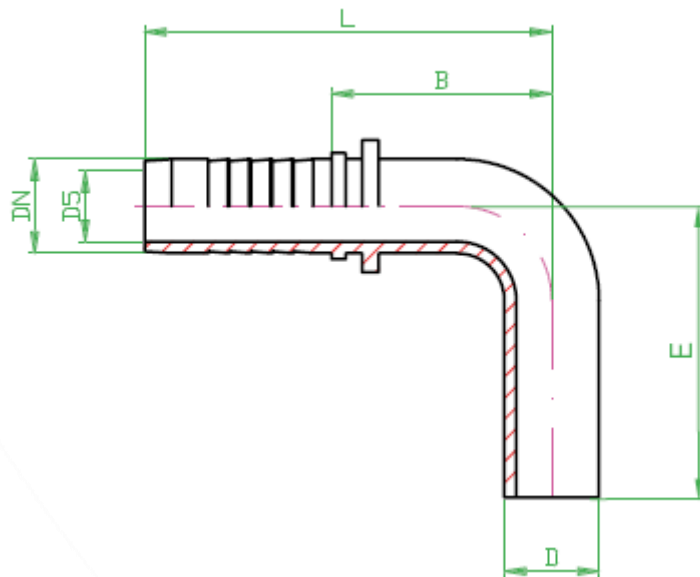


Hose bore		Pipe	Dimensions, mm				Marking
DN	inch	D	D5	L ±3	B ±3	E ±3	
6	1/4"	08L	4	65	38	29	BEL 06-45°- 08L
8	5/16"	10L	5,5	68	41	30	BEL 08-45°- 10L
10	3/8"	12L	7	75	45	32	BEL 10-45°- 12L
12	1/2"	15L	10	85	54	33	BEL 12-45°- 15L
16	5/8"	18L	13	95	61	34	BEL 16-45°- 18L
19	3/4"	22L	15	110	71	34	BEL 20-45°- 22L
25	1"	28L	21	125	79	36	BEL 25-45° 28L
31	1 1/4"	35L	27	145	91	36	BEL 32-45°- 35L
38	1 1/2"	42L	32	158	101	36	BEL 40-45°- 42L



## 5.1 Visokotlačni hidraulični priključci (High pressure hydraulic hose fittings)

### BEL 90°



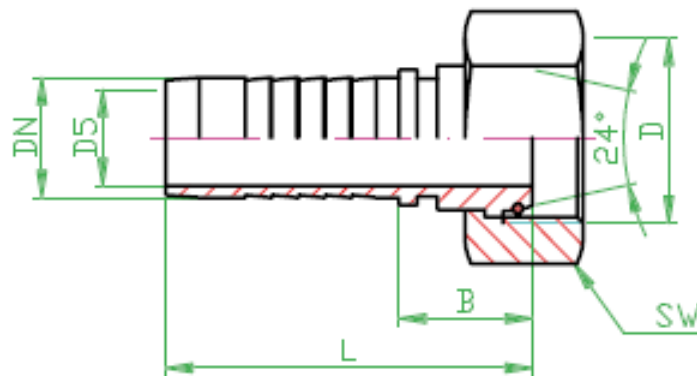
Hose bore		Pipe	Dimensions, mm				Marking
DN	inch	D	D5	L ±3	B ±3	E ±3	
6	1/4"	08L	4	80	53	20	BEL 06-90°- 08L
8	5/16"	10L	5,5	80	53	22	BEL 08-90°- 10L
10	3/8"	12L	7	87	57	22	BEL 10-90°- 12L
12	1/2"	15L	10	94	63	22,5	BEL 12-90°- 15L
16	5/8"	18L	13	110	76	31	BEL 16-90°- 18L
19	3/4"	22L	15	123	84	32	BEL 20-90°- 22L
25	1"	28L	21	141	95	40	BEL 25-90° 28L
31	1 1/4"	35L	27	158	104	34	BEL 32-90°- 35L
38	1 1/2"	42L	32	169	112	46	BEL 40-90°- 42L

## 5.1 Visokotlačni hidraulični priključci (High pressure hydraulic hose fittings)

### DKOS

Tip priključka: konus 24°, DIN 2353, teža serija S, O ring – NBR, VITORN na zahtjev

Type connection: cone 24°, DIN 2353, heavy series S, O ring – NBR, VITON on request



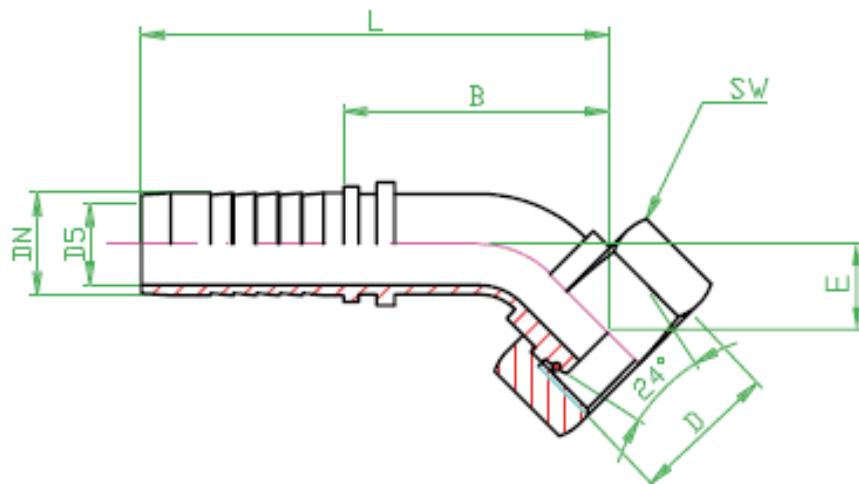
Hose bore		Thread	Dimensions, mm				Marking
DN	inch	D	D5	L ±3	B ±3	SW	
6	1/4"	M14x1,5	2,8	52	25	17	DKOS 06 - M14x1,5
6	1/4"	M16x1,5	4	52	25	19	DKOS 06 - M16x1,5
6	1/4"	M18x1,5	4	52	25	22	DKOS 06 - M18x1,5
6	1/4"	M20x1,5	4	55	28	24	DKOS 06 - M20x1,5
8	5/16"	M18x1,5	5,5	52	25	22	DKOS 08 - M18x1,5
8	5/16"	M20x1,5	5,5	52	25	24	DKOS 08 - M20x1,5
8	5/16"	M22x1,5	5,5	56	29	27	DKOS 08 - M22x1,5
10	3/8"	M20x1,5	7	56	26	24	DKOS 10 - M20x1,5
10	3/8"	M22x1,5	7	56	26	27	DKOS 10 - M22x1,5
10	3/8"	M24x1,5	7	58	28	30	DKOS 10 - M24x1,5
12	1/2"	M22x1,5	7	63	32	27	DKOS 12 - M22x1,5
12	1/2"	M24x1,5	10	61	30	30	DKOS 12 - M24x1,5
12	1/2"	M30x2	10	64	33	36	DKOS 12 - M30x2
16	5/8"	M24x1,5	10	66	32	30	DKOS 16 - M24x1,5
16	5/8"	M30x2	13	69	35	36	DKOS 16 - M30x2
16	5/8"	M36x2	13	68	34	46	DKOS 16 - M36x2
16	5/8"	M30x2	13	74	35	36	DKOS 16 - M30x2
19	3/4"	M36x2	15	78	39	46	DKOS 20 - M36x2
19	3/4"	M42x2	15	73	34	50	DKOS 20 - M42x2
19	3/4"	M36x2	15	87	41	46	DKOS 20 - M36x2
25	1"	M42x2	21,1	90	44	50	DKOS 25 - M42x2
25	1"	M52x2	21	84	38	60	DKOS 25 - M52x2
25	1"	M42x2	21	95	41	50	DKOS 25 - M42x2
31	1 1/4"	M52x2	27	103	49	60	DKOS 32 - M52x2
38	1 1/2"	M52x2	27	99	42	60	DKOS 40 - M52x2

## 5.1 Visokotlačni hidraulični priključci (High pressure hydraulic hose fittings)

### DKOS 45°

Tip priključka: konus 24°, DIN 2353, teža serija S, O ring – NBR, VITORN na zahtjev

Type connection: cone 24°, DIN 2353, heavy series S, O ring – NBR, VITON on request



Hose bore		Thread	Dimensions, mm					Marking
DN	inch	D	D5	L ±3	B ±3	E ±3	SW	
6	1/4"	M16x1,5	4	65	41	18	19	DKOS 06-45° - M16x1,5
6	1/4"	M18x1,5	4	68	41	17	22	DKOS 06-45° - M18x1,5
6	1/4"	M20x1,5	4	68	41	17	24	DKOS 06-45° - M20x1,5
8	5/16"	M18x1,5	5,5	73	46	18	22	DKOS 08-45° - M18x1,5
8	5/16"	M20x1,5	5,5	72	45	17	24	DKOS 08-45° - M20x1,5
8	5/16"	M22x1,5	5,5	69	46	21	27	DKOS 08-45° - M22x1,5
10	3/8"	M20x1,5	7	71	41	18	24	DKOS 10-45° - M20x1,5
10	3/8"	M22x1,5	7	72	42	18	27	DKOS 10-45° - M22x1,5
10	3/8"	M24x1,5	7	72	42	19	30	DKOS 10-45° - M24x1,5
12	1/2"	M22x1,5	7	85	54	24	27	DKOS 12-45° - M22x1,5
12	1/2"	M24x1,5	10	84	53	23	30	DKOS 12-45° - M24x1,5
12	1/2"	M30x2	10	101	70	27	36	DKOS 12-45° - M30x2
16	5/8"	M24x1,5	10	101	67	28	30	DKOS 16-45° - M24x1,5
16	5/8"	M30x2	12,6	102	68	32	36	DKOS 16-45° - M30x2
16	5/8"	M36x2	12,6	103	69	32	46	DKOS 16-45° - M36x2
19	3/4"	M30x2	13	117	78	34	36	DKOS 19-45° - M30x2
19	3/4"	M36x2	14,8	118	79	36	41	DKOS 20-45° - M36x2
19	3/4"	M42x2	14,8	113	74	34	50	DKOS 20-45° - M42x2
25	1"	M36x2	14,8	133	87	41	46	DKOS 25-45° - M36x2
25	1"	M42x2	21	130	84	39	50	DKOS 25-45° - M42x2
25	1"	M52x2	21,1	129	83	39	60	DKOS 25-45° - M52x2
31	1.1/4"	M42x2	20	169	115	40	50	DKOS 32-45° - M42x2
31	1.1/4"	M52x2	26,5	168	114	39	60	DKOS 32-45° - M52x2
38	1.1/2"	M52x2	27	172	115	53	60	DKOS 40-45° - M52x2

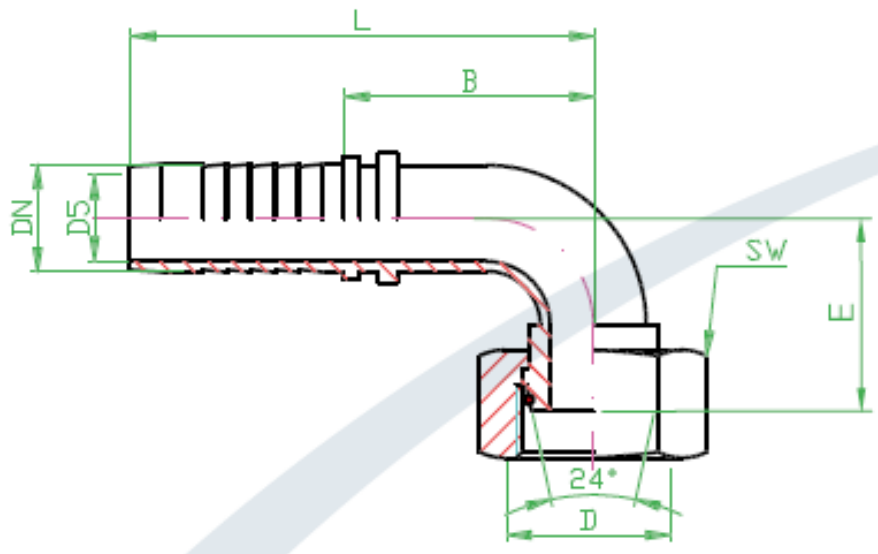


## 5.1 Visokotlačni hidraulični priključci (High pressure hydraulic hose fittings)

### DKOS 90°

Tip priključka: konus 24°, DIN 2353, teža serija S, O ring – NBR, VITORN na zahtjev

Type connection: cone 24°, DIN 2353, heavy series S, O ring – NBR, VITON on request



Hose bore		Thread	Dimensions, mm					Marking
DN	inch	D	D5	L ±3	B ±3	E ±3	SW	
6	1/4"	M16x1,5	4	53	26	32	19	DKOS 06-90° - M16x1,5
6	1/4"	M18x1,5	4	52	25	33	22	DKOS 06-90° - M18x1,5
6	1/4"	M20x1,5	4	53	26	31	24	DKOS 06-90° - M20x1,5
8	5/16"	M18x1,5	5,5	57	30	35	22	DKOS 08-90° - M18x1,5
8	5/16"	M20x1,5	5,5	57	30	33	24	DKOS 08-90° - M20x1,5
8	5/16"	M22x1,5	5,5	57	30	35	27	DKOS 08-90° - M22x1,5
10	3/8"	M20x1,5	7	60	30	33	24	DKOS 10-90° - M20x1,5
10	3/8"	M22x1,5	7	60	30	35	27	DKOS 10-90° - M22x1,5
10	3/8"	M24x1,5	7	60	30	34	30	DKOS 10-90° - M24x1,5
12	1/2"	M22x1,5	7	76	45	45	27	DKOS 12-90° - M22x1,5
12	1/2"	M24x1,5	10	73	42	44	30	DKOS 12-90° - M24x1,5
12	1/2"	M30x2	10	73	42	48	36	DKOS 12-90° - M30x2
16	5/8"	M24x1,5	10	86	52	56	30	DKOS 16-90° - M24x1,5
16	5/8"	M30x2	12,6	85	51	57	36	DKOS 16-90° - M30x2
16	5/8"	M36x2	12,6	86	52	54	46	DKOS 16-90° - M36x2
19	3/4"	M30x2	13	99	60	68	36	DKOS 19-90° - M30x2
19	3/4"	M36x2	14,8	99	60	67	46	DKOS 20-90° - M36x2
19	3/4"	M42x2	14,8	99	60	64	50	DKOS 20-90° - M42x2
25	1"	M36x2	14,8	114	68	64	46	DKOS 25-90° - M36x2
25	1"	M42x2	21	114	68	76	50	DKOS 25-90° - M42x2
25	1"	M52x2	21,1	114	68	72	60	DKOS 25-90° - M52x2
31	1.1/4"	M42x2	20	148	94	87	50	DKOS 32-90° - M42x2
31	1.1/4"	M52x2	26,5	148	94	84	60	DKOS 32-90° - M52x2
38	1.1/2"	M52x2	27	162	105	106	60	DKOS 40-90° - M52x2

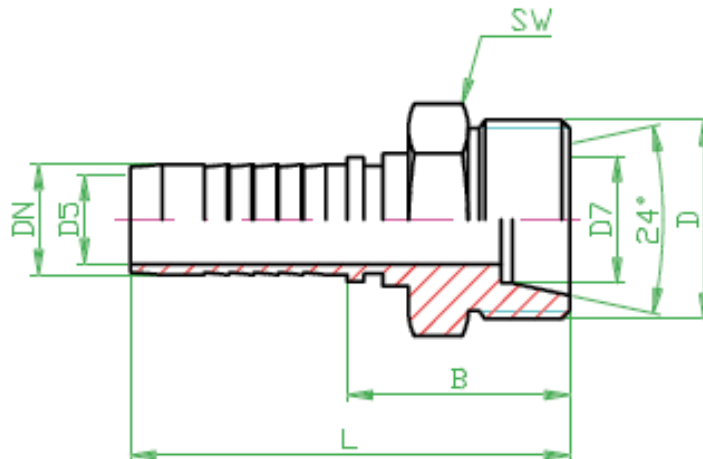


## 5.1 Visokotlačni hidraulični priključci (High pressure hydraulic hose fittings)

### CES

Tip priključka: konus 24°, DIN 2353, teža serija S

Type connection: cone 24°, DIN 2353, heavy series S

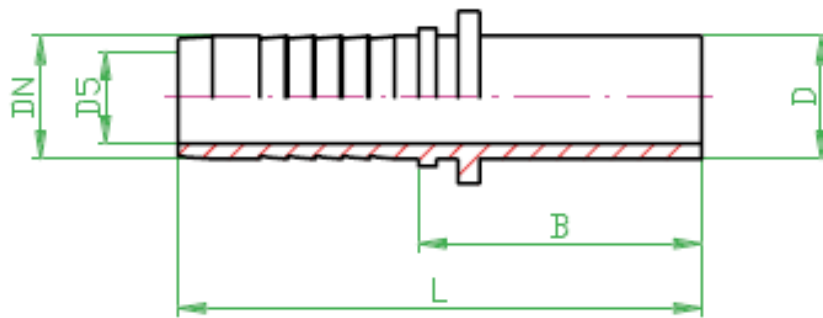


Hose bore		Thread	Dimensions, mm				Marking
DN	inch	D	D5	L ±3	B ±3	SW	
6	1/4"	M16x1,5	4	55	28	17	CES 06 - M16x1,5
6	1/4"	M18x1,5	4	55	28	19	CES 06 - M18x1,5
6	1/4"	M20x1,5	4	56	29	22	CES 06 - M20x1,5
6	1/4"	M18x1,5	5,5	56	29	19	CES 06 - M18x1,5
8	5/16"	M20x1,5	5,5	55	28	22	CES 08 - M20x1,5
8	5/16"	M22x1,5	5,5	56	29	22	CES 08 - M22x1,5
8	5/16"	M20x1,5	7	57	27	22	CES 8 - M20x1,5
10	3/8"	M22x1,5	7	59	29	22	CES 10 - M22x1,5
10	3/8"	M24x1,5	7	62	32	24	CES 10 - M24x1,5
10	3/8"	M22x1,5	10	65	34	22	CES 10 - M22x1,5
12	1/2"	M24x1,5	10	64	33	27	CES 12 - M24x1,5
12	1/2"	M30x2	10	66	35	30	CES 12 - M30x2
12	1/2"	M24x1,5	13	70	36	24	CES 12 - M24x1,5
16	5/8"	M30x2	13	72	38	30	CES 16 - M30x2
16	5/8"	M36x2	13	71	37	36	CES 16 - M36x2
16	5/8"	M30x2	15	75	36	30	CES 16 - M30x2
19	3/4"	M36x2	15	80	41	36	CES 20 - M36x2
19	3/4"	M42x2x	15	81	42	46	CES 20 - M42x2x
19	3/4"	M36x2	20	95	49	36	CES 20 - M36x2
25	1"	M42x2	21,1	90	44	46	CES 25 - M42x2
25	1"	M52x2	21,1	98	52	55	CES 25 - M52x2
25	1"	M42x2	21	109	55	46	CES 25 - M42x2
31	1.1/4"	M52x2	27	99	45	55	CES 32 - M52x2
38	1.1/2"	M52x2	32,5	106	49	55	CES 40 - M52x2



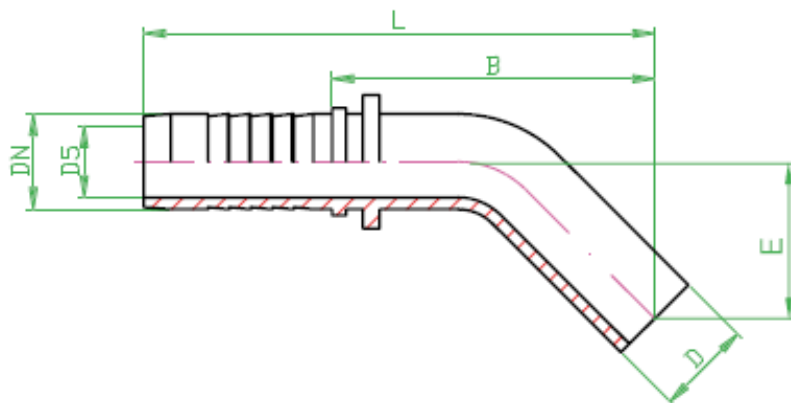
## 5.1 Visokotlačni hidraulični priključci (High pressure hydraulic hose fittings)

### BES



Hose bore		Pipe	Dimensions, mm			Marking
DN	inch	D	D5	L ±3	B ±3	
6	1/4"	10S	4	57	30	BES 06 - 10S
8	5/16"	12S	5,5	59	32	BES 08 - 12S
10	3/8"	14S	7	64	34	BES 10 - 14S
12	1/2"	16S	10	69	38	BES 12 - 16S
16	5/8"	20S	13	72	38	BES 16 - 20S
19	3/4"	25S	15	80	41	BES 20 - 25S
25	1"	30S	21	93	47	BES 25 - 30S
31	1.1/4"	38S	27	93	39	BES 32 - 38S

### BES 45°

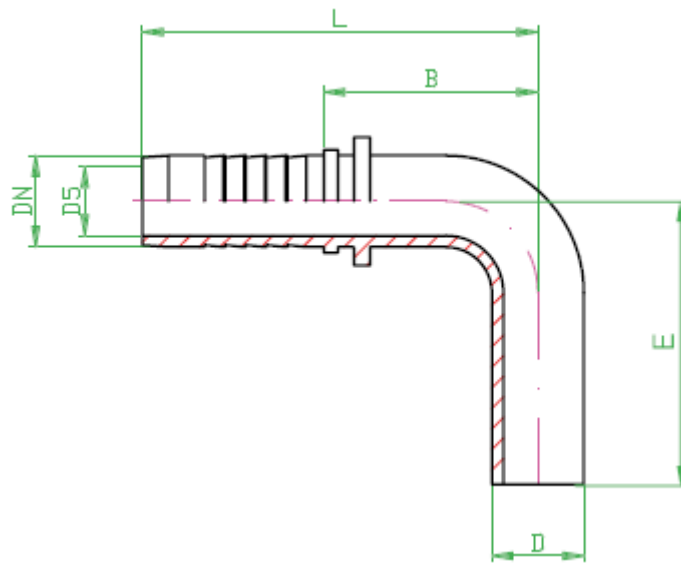


Hose bore		Pipe	Dimensions, mm				Marking
DN	inch	D	D5	L ±3	B ±3	E ±3	
6	1/4"	10S	4	81	54	22	BES 06-45°- 10S
8	5/16"	12S	5,5	84	57	22	BES 08-45°- 12S
10	3/8"	14S	7	91	61	22,5	BES 10-45°- 14S
12	1/2"	16S	10	108	77	31	BES 12-45°- 16S
16	5/8"	20S	13	115	81	32	BES 16-45°- 20S
19	3/4"	25S	15	130	91	40	BES 20-45°- 25S
25	1"	30S	20	147	101	43	BES 25-45° 30S
31	1.1/4"	38S	27	164	110	46	BES 32-45°- 38S



## 5.1 Visokotlačni hidraulični priključci (High pressure hydraulic hose fittings)

### BES 90°



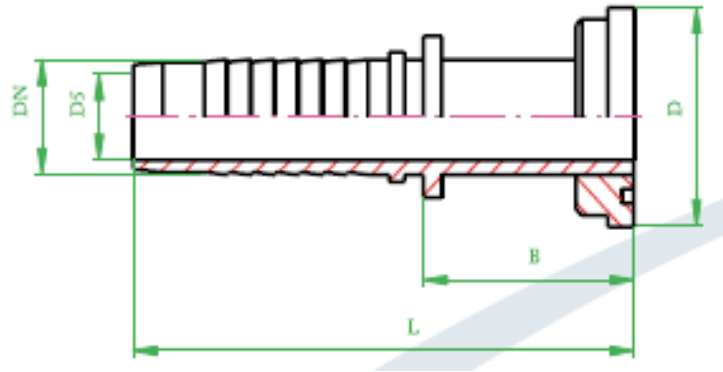
Hose bore		Pipe	Dimensions, mm				Marking
DN	inch	D	D5	L ±3	B ±3	E ±3	
6	1/4"	10S	4	67	40	40	BES 06-90°- 10S
8	5/16"	12S	5,5	74	47	42	BES 08-90°- 12S
10	3/8"	14S	7	81	51	45	BES 10-90°- 14S
12	1/2"	16S	10	93	62	60	BES 12-90°- 16S
16	5/8"	20S	13	102	68	65	BES 16-90°- 20S
19	3/4"	25S	11	113	74	80	BES 20-90°- 25S
25	1"	30S	21	133	87	90	BES 25-90° 30S
31	1.1/4"	38S	27	154	100	100	BES 32-90°- 38S

## 5.1 Visokotlačni hidraulični priključci (High pressure hydraulic hose fittings)

### SFL

Tip priključka: prirubnički spoj SAE J518 3000 p.s.i.

Type connection: flange SAE J518 3000 p.s.i.



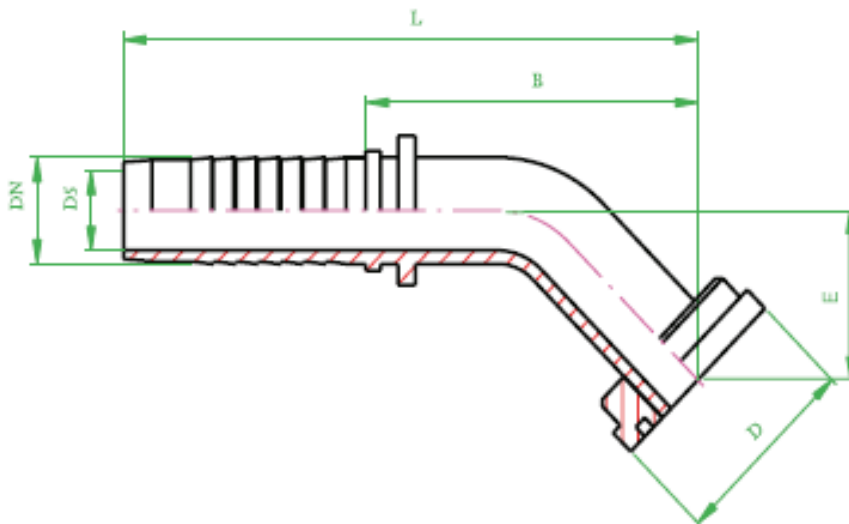
Hose bore		Flange		Dimensions, mm			Marking
DN	inch	inch	D	D5	L ±3	B ±3	
12	1/2"	1/2"	30,2	10	77	46	SFL 12 - 1/2"
12	1/2"	3/4"	38,1	10	79	48	SFL 12 - 3/4"
16	5/8"	1/2"	30,2	12,6	78	44	SFL 16 - 1/2"
16	5/8"	3/4"	38,1	12,6	78	44	SFL 16 - 3/4"
19	3/4"	1/2"	30,2	13,5	91	52	SFL 20 - 1/2"
19	3/4"	3/4"	38,1	14,8	88	49	SFL 20 - 3/4"
19	3/4"	1"	44,5	14,8	91	52	SFL 20 - 1"
25	1"	3/4"	38,1	20	103	57	SFL 25 - 3/4"
25	1"	1"	44,5	21,1	98	43	SFL 25 - 1"
25	1"	1.1/4"	50,8	21,1	98	43	SFL 25 - 1.1/4"
31	1.1/4"	1"	44,5	26,5	116	62	SFL 32 - 1"
31	1.1/4"	1.1/4"	50,8	26,5	114	60	SFL 32 - 1.1/4"
31	1.1/4"	1.1/2"	60,3	26,5	116	62	SFL 32 - 1.1/2"
38	1.1/2"	1.1/4"	50,8	32,5	118	61	SFL 40 - 1.1/4"
38	1.1/2"	1.1/2"	60,3	32,8	119	62	SFL 40 - 1.1/2"
38	1.1/2"	2"	71,4	32,8	119	62	SFL 40 - 2"
51	2"	1.1/2"	60,3	34,5	141	67	SFL 50 - 1.1/2"
51	2"	2"	71,4	44,5	137	62	SFL 50 - 2"

## 5.1 Visokotlačni hidraulični priključci (High pressure hydraulic hose fittings)

### SFL 45°

Tip priključka: prirubnički spoj SAE J518 3000 p.s.i.

Type connection: flange SAE J518 3000 p.s.i.



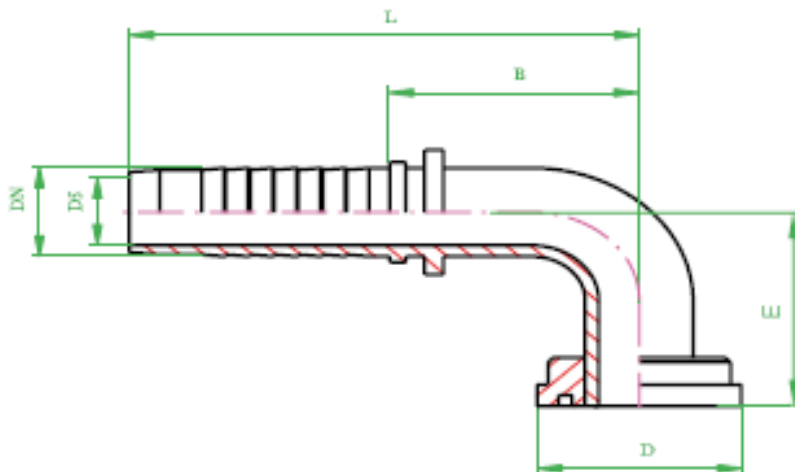
Hose bore		Flange		Dimensions, mm				Marking
DN	inch	inch	D	D5	L ±3	B ±3	E ±3	
12	1/2"	1/2"	30,2	10	74	49	20	SFL 12-45° - 1/2"
12	1/2"	3/4"	38,1	10	82	38	23	SFL 12-45° - 3/4"
16	5/8"	1/2"	30,2	12,6	86	63	26	SFL 16-45° - 1/2"
16	5/8"	3/4"	38,1	12,6	87	63	24	SFL 16-45° - 3/4"
19	3/4"	1/2"	30,2	13,5	103	76	31	SFL 20-45° - 1/2"
19	3/4"	3/4"	38,1	14,8	103	76	31	SFL 20-45° - 3/4"
19	3/4"	1"	44,5	14,8	114	75	31	SFL 20-45° - 1"
25	1"	3/4"	38,1	20	121	75	32	SFL 25-45° - 3/4"
25	1"	1"	44,5	21,1	128	82	32	SFL 25-45° - 1"
25	1"	1.1/4"	50,8	21,1	127	81	31	SFL 25-45° - 1.1/4"
31	1.1/4"	1"	44,5	26,5	159	105	45	SFL 32-45° - 1"
31	1.1/4"	1.1/4"	50,8	26,5	158	104	44	SFL 32-45° - 1.1/4"
31	1.1/4"	1.1/2"	60,3	26,5	158	104	45	SFL 32-45° - 1.1/2"
38	1.1/2"	1.1/4"	50,8	32,5	168	101	43	SFL 40-45° - 1.1/4"
38	1.1/2"	1.1/2"	60,3	32,8	168	111	48	SFL 40-45° - 1.1/2"
38	1.1/2"	2"	71,4	32,8	169	112	48	SFL 40-45° - 2"
51	2"	1.1/2"	60,3	34,5	191	116	50	SFL 50-45° - 1.1/2"
51	2"	2"	71,4	44,5	202	127	50	SFL 50-45° - 2"

## 5.1 Visokotlačni hidraulični priključci (High pressure hydraulic hose fittings)

### SFL 90°

Tip priključka: prirubnički spoj SAE J518 3000 p.s.i.

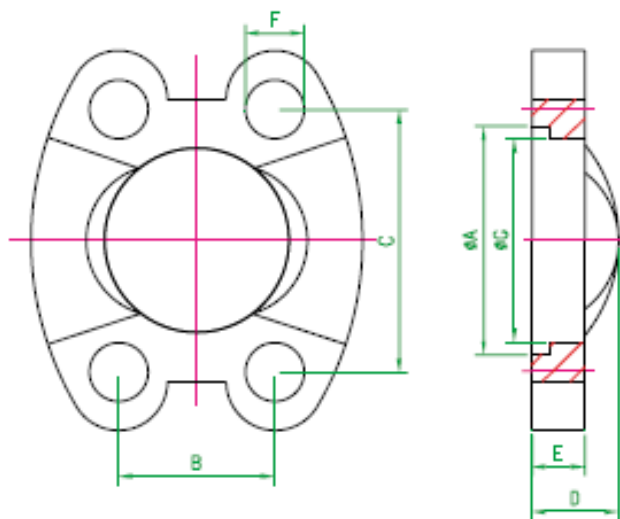
Type connection: flange SAE J518 3000 p.s.i.



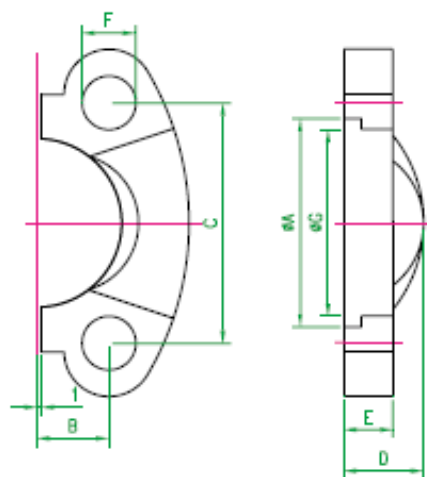
Hose bore		Flange		Dimensions, mm				Marking
DN	inch	inch	D	D5	L ±3	B ±3	E ±3	
12	1/2"	1/2"	30,2	10	73	42	39	SFL 12-90° - 1/2"
12	1/2"	3/4"	38,1	10	73	42	39	SFL 12-90° - 3/4"
16	5/8"	1/2"	30,2	12,6	89	55	49	SFL 16-90° - 1/2"
16	5/8"	3/4"	38,1	12,6	86	52	47	SFL 16-90° - 3/4"
19	3/4"	1/2"	30,2	13,5	99	60	60	SFL 20-90° - 1/2"
19	3/4"	3/4"	38,1	14,8	99	60	60	SFL 20-90° - 3/4"
19	3/4"	1"	44,5	14,8	102	63	61	SFL 20-90° - 1"
25	1"	3/4"	38,1	20	114	68	68	SFL 25-90° - 3/4"
25	1"	1"	44,5	21,1	114	68	68	SFL 25-90° - 1"
25	1"	1.1/4"	50,8	21,1	114	68	68	SFL 25-90° - 1.1/4"
31	1.1/4"	1"	44,5	26,5	148	94	82	SFL 32-90° - 1"
31	1.1/4"	1.1/4"	50,8	26,5	148	94	80	SFL 32-90° - 1.1/4"
31	1.1/4"	1.1/2"	60,3	26,5	148	94	82	SFL 32-90° - 1.1/2"
38	1.1/2"	1.1/4"	50,8	32,5	162	105	109	SFL 40-90° - 1.1/4"
38	1.1/2"	1.1/2"	60,3	32,8	162	105	108	SFL 40-90° - 1.1/2"
38	1.1/2"	2"	71,4	32,8	162	105	108	SFL 40-90° - 2"
51	2"	1.1/2"	60,3	34,5	196	121	118	SFL 50-90° - 1.1/2"
51	2"	2"	71,4	44,5	196	121	114	SFL 50-90° - 2"

## 5.1 Visokotlačni hidraulični priključci (High pressure hydraulic hose fittings)

### Držači prirubnica i dodaci SFL 3000 p.s.i. (HOLDERS FLANGE AND ACCESORY SFL 3000 p.s.i.)



SAE size	Working pressure	Dimensions, mm								Screws	"O" Ring	Marking
inch	bar	A	G	B	C	D	E	F				
1/2"	345	31	24,3	17,5	38,1	19	13	8,8	M8x25	18,64x3,53	490-08	
3/4"	345	38,9	32,1	22,2	47,6	22	14	10,8	M10x30	24,99x3,53	490-12	
1"	345	45,2	38,5	26,2	52,4	24	16	10,8	M10x35	32,92x3,53	490-16	
1.1/4"	276	51,6	43,7	30,2	58,7	22	16	12	M10x35	37,69x3,53	490-20	
1.1/2"	207	61,1	50,8	35,7	69,9	25	16	13,5	M12x35	47,22x3,53	490-24	
2"	207	72,2	62,7	42,9	77,8	26	16	13,5	M12x35	56,74x3,53	490-32	



SAE size	Working pressure	Dimensions, mm								Screws	"O" Ring	Marking
inch	bar	A	G	B	C	D	E	F				
1/2"	345	31	24,3	8,7	38,1	19	13	8,8	M8x25	18,64x3,53	480-08	
3/4"	345	38,9	32,1	11,1	47,6	22	14	10,8	M10x30	24,99x3,53	480-12	
1"	345	45,2	38,5	13,1	52,4	24	16	10,8	M10x35	32,92x3,53	480-16	
1.1/4"	276	51,6	43,7	15,1	58,7	22	16	12	M10x35	37,69x3,53	480-20	
1.1/2"	207	61,1	50,8	17,9	69,9	25	16	13,5	M12x35	47,22x3,53	480-24	
2"	207	72,2	62,7	21,4	77,8	26	16	13,5	M12x35	56,74x3,53	480-32	

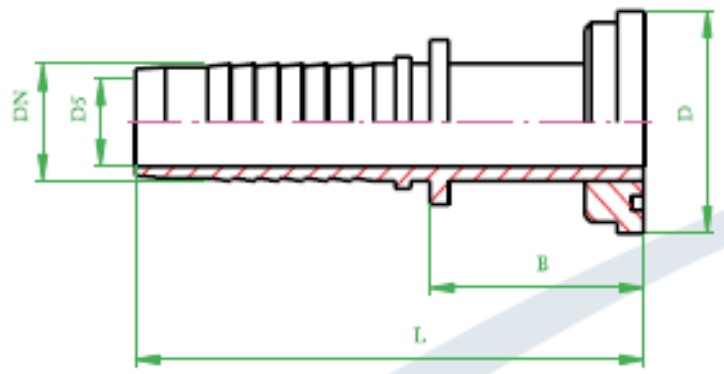


## 5.1 Visokotlačni hidraulični priključci (High pressure hydraulic hose fittings)

### SFS

Tip priključka: prirubnički spoj SAE J518 6000 p.s.i.

Type connection: flange SAE J518 6000 p.s.i.



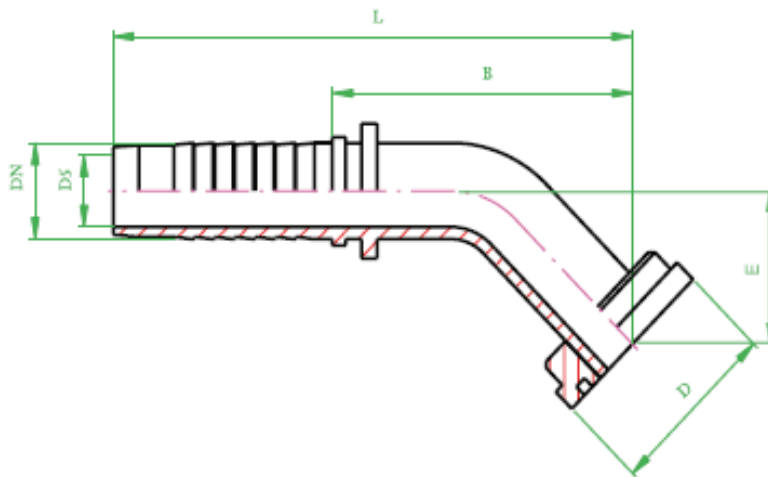
Hose bore		Flange		Dimensions, mm			Marking
DN	inch	inch	D	D5	L ±3	B ±3	
12	1/2"	1/2"	31,7	10	77	46	SFS 12 - 1/2"
12	1/2"	3/4"	41,3	10	78	47	SFS 12 - 3/4"
16	5/8"	1/2"	31,7	12,6	80	46	SFS 16 - 1/2"
16	5/8"	3/4"	41,3	12,6	78	44	SFS 16 - 3/4"
19	3/4"	1/2"	31,7	14	92	54	SFS 20 - 1/2"
19	3/4"	3/4"	41,3	14	91	53	SFS 20 - 3/4"
19	3/4"	1"	47,6	14,8	95	56	SFS 20 - 1"
25	1"	3/4"	41,3	20	101	55	SFS 25 - 3/4"
25	1"	1"	47,6	21,1	103	57	SFS 25 - 1"
25	1"	1.1/4"	54	21,1	98	52	SFS 25 - 1.1/4"
31	1.1/4"	1"	47,6	26,5	118	64	SFS 32 - 1"
31	1.1/4"	1.1/4"	54	26,5	114	60	SFS 32 - 1.1/4"
31	1.1/4"	1.1/2"	63,5	26,5	120	66	SFS 32 - 1.1/2"
38	1.1/2"	1.1/4"	54	32,5	122	68	SFS 40 - 1.1/4"
38	1.1/2"	1.1/2"	63,5	32,8	121	64	SFS 40 - 1.1/2"
38	1.1/2"	2"	79,4	32,8	132	75	SFS 40 - 2"
51	2"	1.1/2"	63,5	32,5	137	62	SFS 50 - 1.1/2"
51	2"	2"	79,4	44,5	151	76	SFS 50 - 2"

## 5.1 Visokotlačni hidraulični priključci (High pressure hydraulic hose fittings)

### SFS 45°

Tip priključka: prirubnički spoj SAE J518 6000 p.s.i.

Type connection: flange SAE J518 6000 p.s.i.



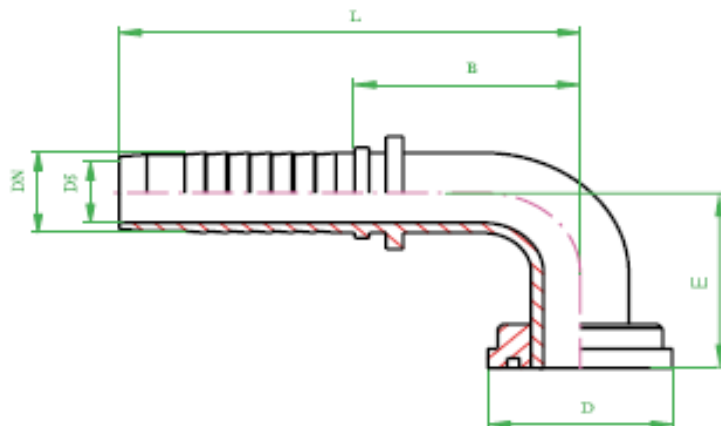
Hose bore		Flange		Dimensions, mm				Marking
DN	inch	inch	D	D5	L ±3	B ±3	E ±3	
12	1/2"	1/2"	31,7	10	80	49	24	SFS 12-45° - 1/2"
12	1/2"	3/4"	41,3	10	82	51	23	SFS 12-45° - 3/4"
16	5/8"	1/2"	31,7	12,6	96	62	29	SFS 16-45° - 1/2"
16	5/8"	3/4"	41,3	12,6	97	63	27	SFS 16-45° - 3/4"
19	3/4"	1/2"	31,7	14	115	76	32	SFS 20-45° - 1/2"
19	3/4"	3/4"	41,3	14,8	113	74	33	SFS 20-45° - 3/4"
19	3/4"	1"	47,6	14,8	115	76	32	SFS 20-45° - 1"
25	1"	3/4"	41,3	20	121	75	34	SFS 25-45° - 3/4"
25	1"	1"	47,6	21,1	129	83	36	SFS 25-45° - 1"
25	1"	1.1/4"	54	21,1	130	84	35	SFS 25-45° - 1.1/4"
31	1.1/4"	1"	47,6	26,5	160	106	50	SFS 32-45° - 1"
31	1.1/4"	1.1/4"	54	26,5	156	102	47	SFS 32-45° - 1.1/4"
31	1.1/4"	1.1/2"	63,5	26,5	157	103	49	SFS 32-45° - 1.1/2"
38	1.1/2"	1.1/4"	54	32,5	161	104	47	SFS 40-45° - 1.1/4"
38	1.1/2"	1.1/2"	63,5	32,8	169	112	53	SFS 40-45° - 1.1/2"
38	1.1/2"	2"	79,4	32,8	172	115	54	SFS 40-45° - 2"
51	2"	1.1/2"	63,5	32,5	187	112	53	SFS 50-45° - 1.1/2"
51	2"	2"	79,4	44,5	214	139	62	SFS 50-45° - 2"

## 5.1 Visokotlačni hidraulični priključci (High pressure hydraulic hose fittings)

### SFS 90°

Tip priključka: prirubnički spoj SAE J518 6000 p.s.i.

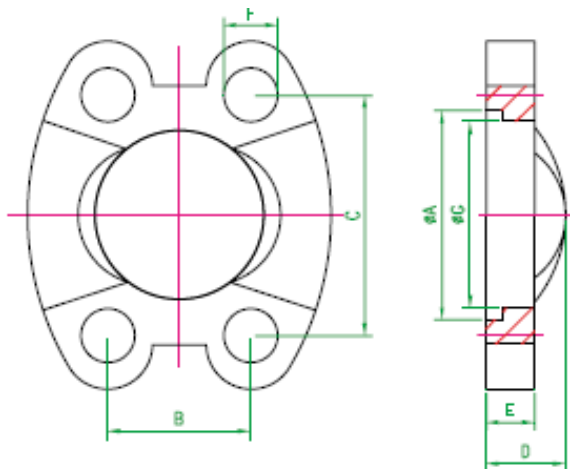
Type connection: flange SAE J518 6000 p.s.i.



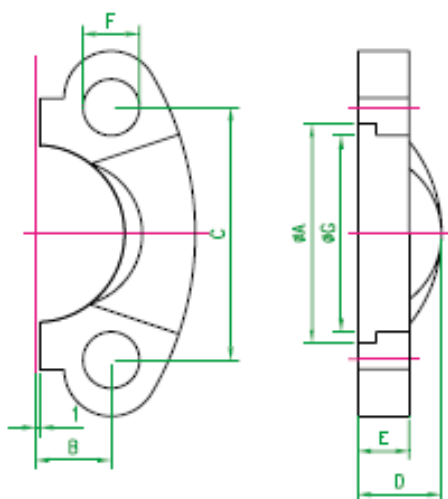
Hose bore		Flange		Dimensions, mm				Marking
DN	inch	inch	D	D5	L ±3	B ±3	E ±3	
12	1/2"	1/2"	31,7	10	73	42	39	SFS 12-90° - 1/2"
12	1/2"	3/4"	41,3	10	73	42	39	SFS 12-90° - 3/4"
16	5/8"	1/2"	31,7	12,6	90	56	50	SFS 16-90° - 1/2"
16	5/8"	3/4"	41,3	12,6	86	52	52	SFS 16-90° - 3/4"
19	3/4"	1/2"	31,7	14	99	60	62	SFS 20-90° - 1/2"
19	3/4"	3/4"	41,3	14,8	99	60	62	SFS 20-90° - 3/4"
19	3/4"	1"	47,6	14,8	99	60	65	SFS 20-90° - 1"
25	1"	3/4"	41,3	20	114	68	72	SFS 25-90° - 3/4"
25	1"	1"	47,6	21,1	114	68	73	SFS 25-90° - 1"
25	1"	1.1/4"	54	21,1	114	68	71	SFS 25-90° - 1.1/4"
31	1.1/4"	1"	47,6	26,5	148	94	86	SFS 32-90° - 1"
31	1.1/4"	1.1/4"	54	26,5	148	94	82	SFS 32-90° - 1.1/4"
31	1.1/4"	1.1/2"	63,5	26,5	148	94	88	SFS 32-90° - 1.1/2"
38	1.1/2"	1.1/4"	54	32,5	162	105	104	SFS 40-90° - 1.1/4"
38	1.1/2"	1.1/2"	63,5	32,8	162	105	104	SFS 40-90° - 1.1/2"
38	1.1/2"	2"	79,4	32,8	162	105	104	SFS 40-90° - 2"
51	2"	1.1/2"	63,5	32,5	196	121	124	SFS 50-90° - 1.1/2"
51	2"	2"	79,4	44,5	196	121	124	SFS 50-90° - 2"

## 5.1 Visokotlačni hidraulični priključci (High pressure hydraulic hose fittings)

### Držači prirubnica i dodaci SFL 6000 p.s.i. (HOLDERS FLANGE AND ACCESORY SFL 6000 p.s.i.)



SAE size	Working pressure	Dimensions, mm							Screws	"O" Ring	Marking
inch	bar	A	G	B	C	D	E	F			
1/2"	420	32,5	24,6	18,2	40,5	22	16	8,8	M8x25	18,64x3,53	481-08
3/4"	420	42,1	32,5	23,8	50,8	28	19	11	M10x30	24,99x3,53	481-12
1"	420	48,4	38,9	27,8	57,2	33	24	13	M10x35	32,92x3,53	481-16
1.1/4"	420	54,8	44,5	31,8	66,7	38	27	15	M10x35	37,69x3,53	481-20
1.1/2"	420	64,3	51,6	36,5	79,4	43	30	17	M12x35	47,22x3,53	481-24
2"	420	80,2	67,6	44,5	96,8	52	37	21	M12x35	56,74x3,53	481-32



SAE size	Working pressure	Dimensions, mm							Screws	"O" Ring	Marking
inch	bar	A	G	B	C	D	E	F			
1/2"	420	32,5	24,6	9,2	40,5	22	16	8,8	M8x25	18,64x3,53	491-08
3/4"	420	42,1	32,5	11,9	50,8	28	19	11	M10x30	24,99x3,53	491-12
1"	420	48,4	38,9	13,9	57,2	33	24	13	M10x35	32,92x3,53	491-16
1.1/4"	420	54,8	44,5	15,9	66,7	38	27	15	M10x35	37,69x3,53	491-20
1.1/2"	420	64,3	51,6	18,3	79,4	43	30	17	M12x35	47,22x3,53	491-24
2"	420	80,2	67,6	22,2	96,8	52	37	21	M12x35	56,74x3,53	491-32

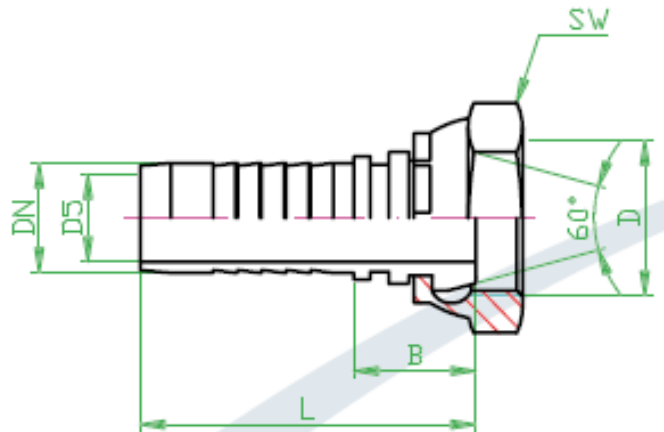


## 5.1 Visokotlačni hidraulični priključci (High pressure hydraulic hose fittings)

### DKR

Tip priključka: konus 60°, BSP navoj

Type connection: cone 60°, BSP thread



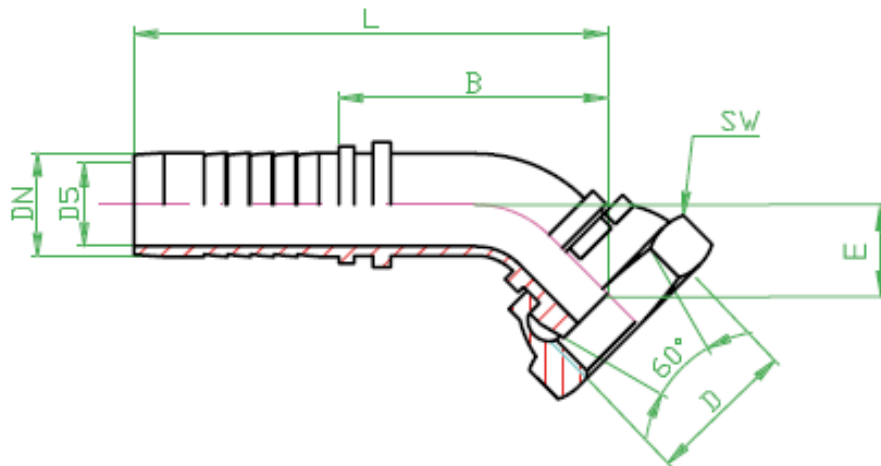
Hose bore		Thread	Dimensions, mm				Marking
DN	inch	D	D5	L ±3	B ±3	SW	
6	1/4"	1/4"	4	49	16,7	19	DKR 06 - 1/4"
6	1/4"	3/8"	4	52	18,7	22	DKR 06 - 3/8"
8	5/16"	3/8"	5,5	54,5	20	22	DKR 08 - 3/8"
10	3/8"	3/8"	7	54,5	20	22	DKR 10 - 3/8"
10	3/8"	1/2"	7	56,5	22	27	DKR 10 - 1/2"
12	1/2"	1/2"	10	58,5	22,5	27	DKR 12 - 1/2"
16	5/8"	5/8"	12,5	63,5	24	30	DKR 16 - 5/8"
16	5/8"	3/4"	12,5	64,5	24	32	DKR 16 - 3/4"
19	3/4"	3/4"	15,5	72	25,5	32	DKR 20 - 3/4"
19	3/4"	1"	15,5	75	26	41	DKR 20 - 1"
25	1"	1"	20	89	26,5	41	DKR 25 - 1"
25	1"	1.1/4"	20	96,5	32,5	50	DKR 25 - 1.1/4"
31	1.1/4"	1.1/4"	26	102,5	33	50	DKR 32 - 1.1/4"
31	1.1/4"	1.1/2"	26	106	35	55	DKR 32 - 1.1/2"
38	1.1/2"	1.1/2"	32	116	35	55	DKR 40 - 1.1/2"
38	1.1/2"	2"	32	117	31	70	DKR 40 - 2"
51	2"	2"	44	121,5	31	70	DKR 50 - 2"

## 5.1 Visokotlačni hidraulični priključci (High pressure hydraulic hose fittings)

### DKR 45°

Tip priključka: konus 60°, BSP navoj

Type connection: cone 60°, BSP thread



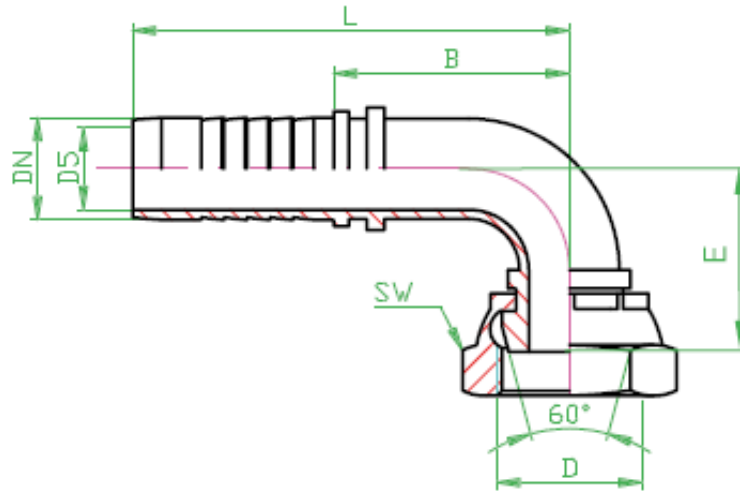
Hose bore		Thread		Dimensions, mm				Marking
DN	inch	D	D5	L ±3	B ±3	E ±3	SW	
6	1/4"	1/4"	4	65	37,5	14,5	19	DKR 06-45° - 1/4"
6	1/4"	3/8"	4	67	39,5	17	22	DKR 06-45° - 3/8"
8	5/16"	3/8"	5,5	72,5	44	17	22	DKR 08-45° - 3/8"
10	3/8"	3/8"	7	78,5	50	19	22	DKR 10-45° - 3/8"
10	3/8"	1/2"	7	80,5	52	20,5	27	DKR 10-45° - 1/2"
12	1/2"	1/2"	10	92	62	21,5	27	DKR 12-45° - 1/2"
16	5/8"	5/8"	12,5	105,5	72,5	25,5	30	DKR 16-45° - 5/8"
16	5/8"	3/4"	12,5	105,5	72,5	25,5	32	DKR 16-45° - 3/4"
19	3/4"	3/4"	15,5	103	64	28	32	DKR 20-45° - 3/4"
19	3/4"	1"	15,5	104,5	65,5	30	41	DKR 20-45° - 1"
25	1"	1"	20	137,5	85	33	41	DKR 25-45° - 1"
25	1"	1.1/4"	20	143	90,5	39	50	DKR 25-45° - 1.1/4"
31	1.1/4"	1.1/4"	26	159,5	99,5	42	50	DKR 32-45° - 1.1/4"
38	1.1/2"	1.1/2"	32	182	112	48	55	DKR 40-45° - 1.1/2"
51	2"	2"	44	207	132,5	52,5	70	DKR 50-45° - 2"

## 5.1 Visokotlačni hidraulični priključci (High pressure hydraulic hose fittings)

### DKR 90°

Tip priključka: konus 60°, BSP navoj

Type connection: cone 60°, BSP thread



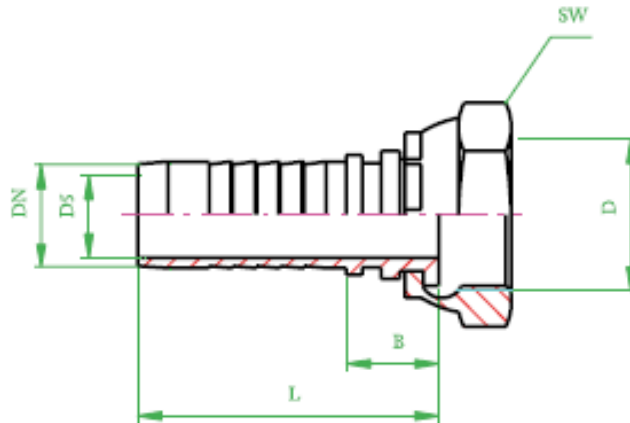
Hose bore		Thread	Dimensions, mm					Marking
DN	inch	D	D5	L ±3	B ±3	E ±3	SW	
6	1/4"	1/4"	4	50,5	23	28	19	DKR 06-90° - 1/4"
6	1/4"	3/8"	4	50,5	23	31	22	DKR 06-90° - 3/8"
8	5/16"	3/8"	5,5	54,5	26	32,5	22	DKR 08-90° - 3/8"
10	3/8"	3/8"	7	59	30,5	37	22	DKR 10-90° - 3/8"
10	3/8"	1/2"	7	59	30,5	39,5	27	DKR 10-90° - 1/2"
12	1/2"	1/2"	10	68	38	43,5	27	DKR 12-90° - 1/2"
16	5/8"	5/8"	12,5	77,5	44,5	51,5	30	DKR 16-90° - 5/8"
16	5/8"	3/4"	12,5	77,5	44,5	51,5	32	DKR 16-90° - 3/4"
19	3/4"	3/4"	15,5	93	54	58	32	DKR 20-90° - 3/4"
19	3/4"	1"	15,5	93	54	60,5	41	DKR 20-90° - 1"
25	1"	1"	20	126,5	74	70,5	41	DKR 25-90° - 1"
25	1"	1.1/4"	20	126,5	74	78,5	50	DKR 25-90° - 1.1/4"
31	1.1/4"	1.1/4"	26	140	80	88,5	50	DKR 32-90° - 1.1/4"
31	1.1/4"	1.1/2"	26	140	80	91,5	55	DKR 32-90° - 1.1/2"
38	1.1/2"	1.1/2"	32	140	93	103,5	55	DKR 40-90° - 1.1/2"
51	2"	2"	44	203,5	129	124	70	DKR 50-90° - 2"

## 5.1 Visokotlačni hidraulični priključci (High pressure hydraulic hose fittings)

### DKR-FLD

Tip priključka: ravna nosiva površina, BSP navoj

Type connection: straight flat sealing, BSP thread



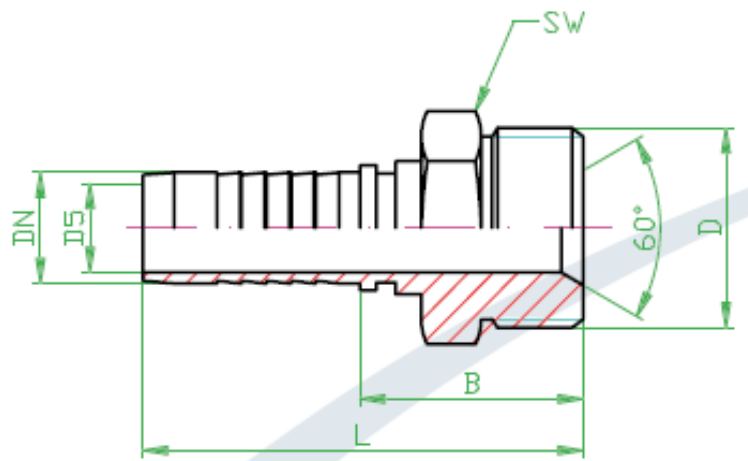
Hose bore		Thread	Dimensions, mm			Marking	
DN	inch	D	D5	L ±3	B ±3	SW	
6	1/4"	1/4"	4	On request		17	DKR-FLD 06 - 1/4"
8	5/16"	3/8"	5,5	On request		22	DKR-FLD 08 - 3/8"
10	3/8"	3/8"	7	On request		22	DKR-FLD 10 - 3/8"
12	1/2"	1/2"	10	On request		27	DKR-FLD 12 - 1/2"
16	5/8"	5/8"	12,5	On request		30	DKR-FLD 16 - 5/8"
19	3/4"	3/4"	15,5	On request		32	DKR-FLD 20 - 3/4"
25	1"	1"	20	On request		38	DKR-FLD 25 - 1"
31	1.1/4"	1.1/4"	26	On request		50	DKR-FLD 31 - 1.1/4"

## 5.1 Visokotlačni hidraulični priključci (High pressure hydraulic hose fittings)

### AGR

Tip priključka: konus 60°, BSP navoj

Type connection: cone 60°, BSP thread



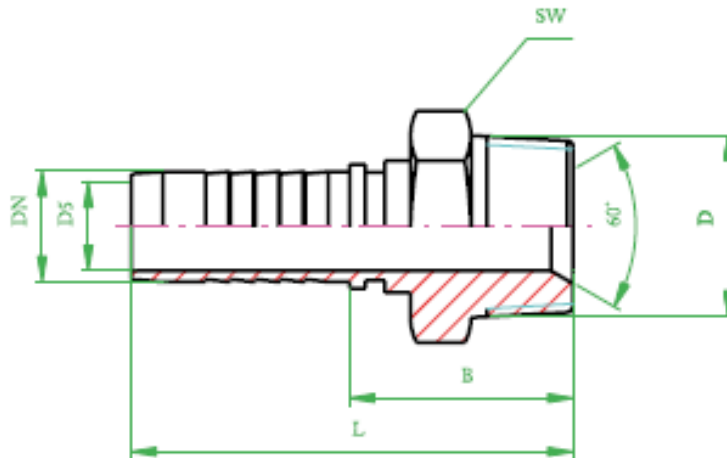
Hose bore		Thread	Dimensions, mm				Marking
DN	inch	D	D5	L ±3	B ±3	SW	
6	1/4"	1/4"	4	53	25,7	19	AGR 06 - 1/4"
6	1/4"	3/8"	4	54,5	27,2	22	AGR 06 - 3/8"
8	5/16"	3/8"	5,5	56,5	28	22	AGR 08 - 3/8"
10	3/8"	3/8"	7	56,5	28	22	AGR 10 - 3/8"
10	3/8"	1/2"	7	59,5	31	27	AGR 10 - 1/2"
12	1/2"	3/8"	10	58	28	22	AGR 12 - 3/8"
12	1/2"	1/2"	10	61,5	31,5	27	AGR 12 - 1/2"
16	5/8"	5/8"	12,5	66,5	33,5	30	AGR 16 - 5/8"
16	5/8"	3/4"	12,5	67,5	34,5	32	AGR 16 - 3/4"
19	3/4"	3/4"	15,5	74,5	35,5	32	AGR 20 - 3/4"
19	3/4"	1"	15,5	78,5	39,5	41	AGR 20 - 1"
25	1"	1"	20	92,5	40	41	AGR 25 - 1"
25	1"	1.1/4"	20	96,5	44	50	AGR 25 - 1.1/4"
31	1.1/4"	1.1/4"	26	105,5	45,5	50	AGR 32 - 1.1/4"
31	1.1/4"	1.1/2"	26	107,5	47,5	55	AGR 32 - 1.1/2"
38	1.1/2"	1.1/2"	32	117,5	47,5	55	AGR 40 - 1.1/2"
51	2"	2"	44	126,5	52	70	AGR 50 - 2"

## 5.1 Visokotlačni hidraulični priključci (High pressure hydraulic hose fittings)

### AGN

Tip priključka: NPT konusni navoj

Type connection: taper NPT



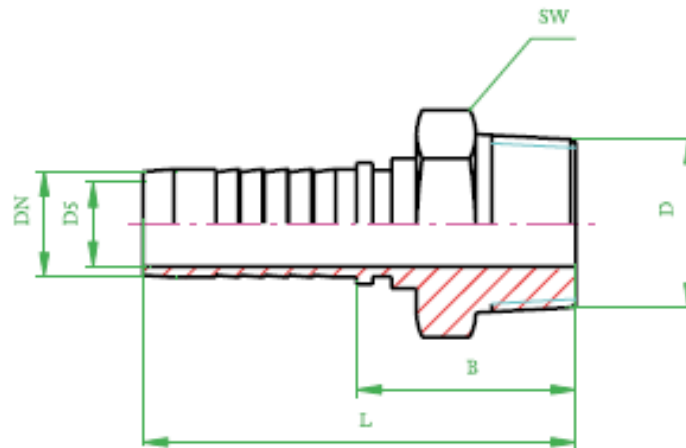
Hose bore		Thread	Dimensions, mm				Marking
DN	inch	D	D5	L ±3	B ±3	SW	
6	1/4"	1/8"-27 NPT	4	48,8	21,5	12	AGN 06 - 1/8"
6	1/4"	1/4"-18 NPT	4	53,8	26,5	14	AGN 06 - 1/4"
6	1/4"	3/8"-18 NPT	4	54,8	27,5	19	AGN 06 - 3/8"
8	5/16"	1/4"-18 NPT	On request				AGN 08 - 1/4"
8	5/16"	3/8"-18 NPT	On request				AGN 08 - 3/8"
10	5/16"	1/4"-18 NPT	On request				AGN 10 - 1/4"
10	3/8"	1/4"-18 NPT	7	56,5	28	19	AGN 10 - 1/4"
10	3/8"	1/2"-14 NPT	7	62,5	34	22	AGN 10 - 1/2"
12	3/8"	3/8"-18 NPT	10	58,5	28,5	19	AGN 12 - 3/8"
12	1/2"	1/2"-14 NPT	10	64,5	34,5	22	AGN 12 - 1/2"
16	1/2"	1/2"-14 NPT	12,5	67,5	34,5	22	AGN 16 - 1/2"
16	5/8"	3/4"-14 NPT	12,5	69,5	36,5	27	AGN 16 - 3/4"
19	3/4"	3/4"-14 NPT	15,5	76,5	37,5	27	AGN 20 - 3/4"
19	3/4"	1"-14 NPT	On request				AGN 20 - 1"
25	1"	1"-11,5 NPT	20	96	43,5	36	AGN 25 - 1"
31	1"	1"-11,5 NPT	On request				AGN 32 - 1"
31	1.1/4"	1.1/4"-11,5 NPT	26	106,5	46,5	46	AGN 32 - 1.1/4"
38	1.1/2"	1.1/2"-11,5 NPT	32	120	50	50	AGN 40 - 1.1/2"
51	1.1/2"	2"-11,5 NPT	44	129	54,5	65	AGN 50 - 1.1/2"

## 5.1 Visokotlačni hidraulični priključci (High pressure hydraulic hose fittings)

### AGR-K

Tip priključka: NPT konusni navoj

Type connection: taper NPT



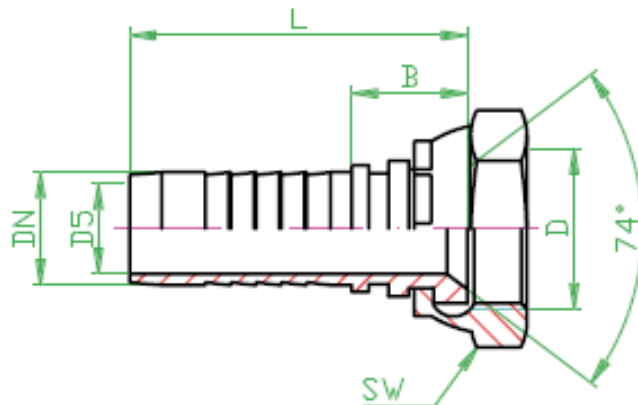
Hose bore		Thread	Dimensions, mm				Marking
DN	inch	D	D5	L ±3	B ±3	SW	
6	1/4"	1/4"	4	50	23	17	AGR-K 06 - 1/4"
6	1/4"	3/8"	4	54,3	27	22	AGR-K 06 - 3/8"
8	5/16"	3/8"	6	52	25	22	AGR-K 08 - 3/8"
10	3/8"	3/8"	7	54	24	22	AGR-K 10 - 3/8"
10	3/8"	1/2"	7	60	31,5	27	AGR-K 10 - 1/2"
10	3/8"	1/4"	7	66	36	17	AGR-K 10 - 1/4"
12	1/2"	1/2"	10	61	30	27	AGR-K 12 - 1/2"
16	5/8"	5/8"	13	61	29	30	AGR-K 16 - 5/8"
19	3/4"	3/4"	15	69	30	32	AGR-K 20 - 3/4"
25	1"	1"	21	78	32	38	AGR-K 25 - 1"
31	1.1/4"	1.1/4"	27	91	37	50	AGR-K 32 - 1.1/4"
38	1.1/2"	1.1/2"	32	119	49	50	AGR-K 40 - 1.1/2"
51	2"	2"	44	128	53,5	65	AGR-K 51 - 2"

## 5.1 Visokotlačni hidraulični priključci (High pressure hydraulic hose fittings)

### DKJ

Tip priključka: konus JIC-37°, UNF navoj

Type connection: cone 37°, UNF thread



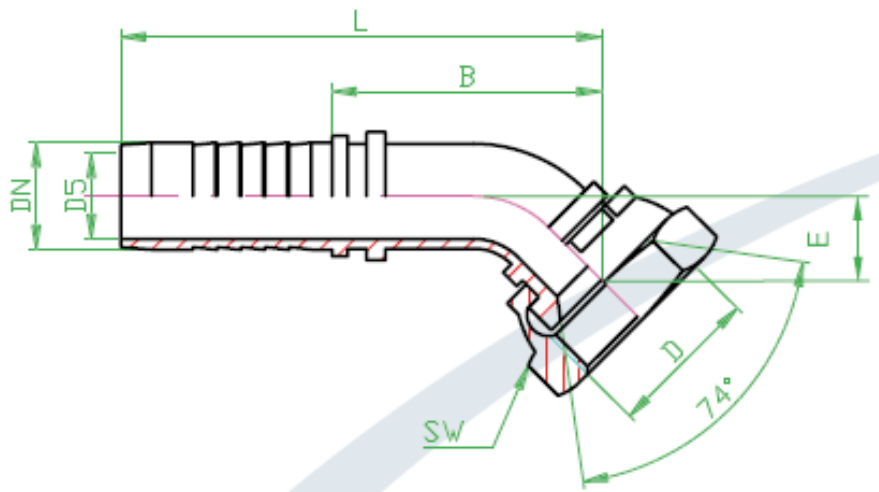
Hose bore		Thread	Dimensions, mm				Marking
DN	inch	D	D5	L ±3	B ±3	SW	
6	1/4"	7/16"-20UNF	4	49,5	14,7	14	DKJ 06 - 7/16"
6	1/4"	1/2"-20UNF	4	52,5	16,7	17	DKJ 06 - 1/2"
6	1/4"	9/16"-18UNF	4	53,5	16,7	17	DKJ 06 - 9/16"
8	5/16"	1/2"-20UNF	5,5	53,7	15	17	DKJ 08 - 1/2"
8	5/16"	9/16"-18UNF	5,5	56	18	17	DKJ 08 - 9/16"
10	3/8"	9/16"-18UNF	7	56	18	17	DKJ 10 - 9/16"
10	3/8"	3/4"-16UNF	7	60	20	22	DKJ 10 - 3/4"
10	3/8"	7/8"-14UNF	7	62	19,5	27	DKJ 10 - 7/8"
12	1/2"	3/4"-16UNF	10	62,5	21	22	DKJ 12 - 3/4"
12	1/2"	7/8"-14UNF	10	64,5	20,5	27	DKJ 12 - 7/8"
12	1/2"	1.1/16"-12UNF	10	66	21,5	32	DKJ 12 - 1. 1/16"
16	5/8"	7/8"-14UNF	12,5	67,5	20,5	27	DKJ 16 - 7/8"
16	5/8"	1.1/16"-12UNF	12,5	69,5	22	32	DKJ 16 - 1. 1/16"
19	3/4"	1.1/16"-12UNF	15,5	77	23,5	32	DKJ 20 - 1. 1/16"
19	3/4"	1.5/16"-12UNF	15,5	78	24,5	38	DKJ 20 - 1. 5/16"
25	1"	1.5/16"-12UNF	20	92	25	38	DKJ 25 - 1. 5/16"
31	1.1/4"	1.5/8"-12UNF	26	105,5	29	46	DKJ 32 - 1.5/8"
38	1.1/2"	1.7/8"-12UNF	32	117,5	9,5	50	DKJ 40 - 1.7/8"
51	2"	2.1/2"-12UNF	44	134	35,5	75	DKJ 50 - 2.1/2"

## 5.1 Visokotlačni hidraulični priključci (High pressure hydraulic hose fittings)

### DKJ 45°

Tip priključka: konus JIC-37°, UNF navoj

Type connection: cone 37°, UNF thread



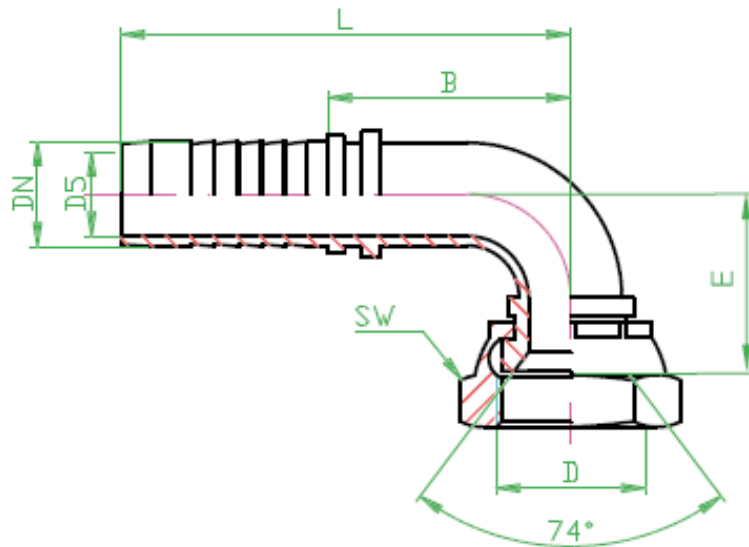
Hose bore		Thread	Dimensions, mm					Marking
DN	inch	D	D5	L ±3	B ±3	E ±3	SW	
6	1/4"	7/16"-20UNF	4	63,5	36	13,5	14	DKJ 06-45° - 7/16"
6	1/4"	1/2"-20UNF	4	65,5	38	15	17	DKJ 06-45° - 1/2"
6	1/4"	9/16"-18UNF	4	65,5	38	15	17	DKJ 06-45° - 9/16"
8	5/16"	1/2"-20UNF	5,5	65,5	37	17		DKJ 8-45° - 1/2"
8	5/16"	9/16"-18UNF	5,5	71	42,5	15,5	17	DKJ 8-45° - 9/16"
10	3/8"	9/16"-18UNF	7	77,5	49	17,5	17	DKJ 10-45° - 9/16"
10	3/8"	3/4"-16UNF	7	79,5	51	19,5	22	DKJ 10-45° - 3/4"
10	3/8"	7/8"-14UNF	7	79	50,5	27		DKJ 10-45° - 7/8"
12	1/2"	3/4"-16UNF	10	90,5	60,5	20,5	22	DKJ 12-45° - 3/4"
12	1/2"	7/8"-14UNF	10	90,5	60,5	20	27	DKJ 12-45° - 7/8"
16	5/8"	7/8"-14UNF	12,5	103	70	23	27	DKJ 16-45° - 7/8"
16	5/8"	1.1/16"-12UNF	12,5	104	71	24	32	DKJ 16-45° - 1. 1/16"
19	3/4"	1.1/16"-12UNF	15,5	101,5	62,5	26,5	32	DKJ 20-45° - 1. 1/16"
19	3/4"	1.5/16"-12UNF	15,5	103,5	64,5	38		DKJ 20-45° - 1. 5/16"
25	1"	1.5/16"-12UNF	20	137	84,5	32	38	DKJ 25-45° - 1. 5/16"
31	1.1/4"	1.5/8"-12UNF	26	157	97	39,5	46	DKJ 32-45° - 1. 5/8"
38	1.1/2"	1.7/8"-12UNF	32	180	110	44,5	50	DKJ 40-45° - 1. 7/8"

## 5.1 Visokotlačni hidraulični priključci (High pressure hydraulic hose fittings)

### DKJ 90°

Tip priključka: konus JIC-37°, UNF navoj

Type connection: cone 37°, UNF thread



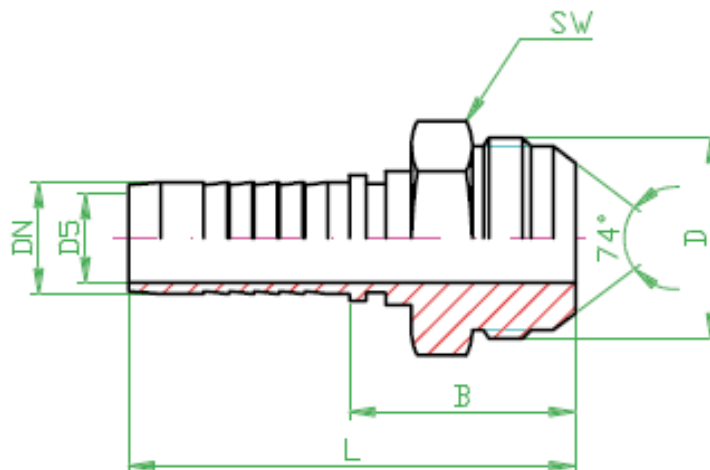
Hose bore		Thread	Dimensions, mm					Marking
DN	inch	D	D5	L ±3	B ±3	E ±3	SW	
6	1/4"	7/16"-20UNF	4	50,5	23	26	14	DKJ 06-90° - 7/16"
6	1/4"	1/2"-20UNF	4	50,5	23	28,5	17	DKJ 06-90° - 1/2"
6	1/4"	9/16"-18UNF	4	50,5	23	28,5	17	DKJ 06-90° - 9/16"
8	5/16"	1/2"-20UNF	5,5	50,5	29		17	DKJ 8-90° - 1/2"
8	5/16"	9/16"-18UNF	5,5	54,5	26	30,5	17	DKJ 8-90° - 9/16"
10	3/8"	9/16"-18UNF	7	59	30,5	35	17	DKJ 10-90° - 9/16"
10	3/8"	3/4"-16UNF	7	59	30,5	38	22	DKJ 10-90° - 3/4"
10	3/8"	7/8"-14UNF	7	59	30,5	37,5	27	DKJ 10-90° - 7/8"
12	1/2"	3/4"-16UNF	10	68	38	42	22	DKJ 12-90° - 3/4"
12	1/2"	7/8"-14UNF	10	68	38	41,5	27	DKJ 12-90° - 7/8"
16	5/8"	7/8"-14UNF	12,5	77,5	44,5	48	27	DKJ 16-90° - 7/8"
16	5/8"	1.1/16"-12UNF	12,5	77,5	44,5	49,5	32	DKJ 16-90° - 1. 1/16"
19	3/4"	1.1/16"-12UNF	15,5	93	54	56	32	DKJ 20-90° - 1. 1/16"
19	3/4"	1.5/16"-12UNF	15,5	93	54	59	38	DKJ 20-90° - 1. 5/16"
25	1"	1.5/16"-12UNF	20	127	74,5	69	38	DKJ 25-90° - 1. 5/16"
31	1.1/4"	1.5/8"-12UNF	26	140	80	84,5	46	DKJ 32-90° - 1. 5/8"
38	1.1/2"	1.7/8"-12UNF	32	174	104	98	50	DKJ 40-90° - 1. 7/8"

## 5.1 Visokotlačni hidraulični priključci (High pressure hydraulic hose fittings)

### AGJ

Tip priključka: konus JIC-37°, UNF navoj

Type connection: cone 37°, UNF thread



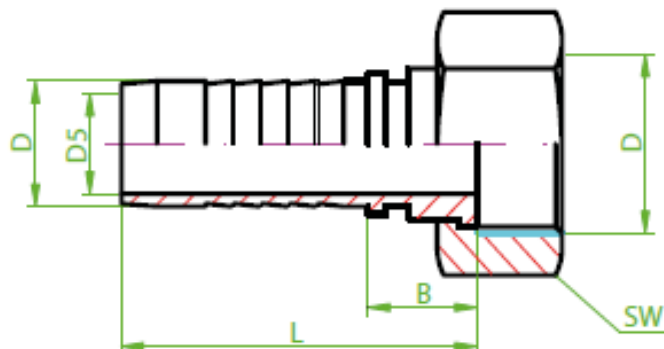
Hose bore		Thread	Dimensions, mm				Marking
DN	inch	D	D5	L ±3	B ±3	SW	
6	1/4"	7/16"-20UNF	4	54,8	28	14	AGJ 06 - 7/16"
6	1/4"	1/2"-20UNF	4	54,8	27,5	17	AGJ 06 - 1/2"
6	1/4"	9/16"-18UNF	4	55	27,7	17	AGJ 06 - 9/16"
8	5/16"	1/2"-20UNF	5,5	57	29	17	AGJ 08 - 1/2"
8	5/16"	9/16"-18UNF	5,5	57	28,5	17	AGJ 08 - 9/16"
10	3/8"	9/16"-18UNF	7	57	30	17	AGJ 10 - 9/16"
10	3/8"	3/4"-16UNF	7	60,5	32	22	AGJ 10 - 3/4"
10	3/8"	7/8"-14UNF	7	64,5	36	27	AGJ 10 - 7/8"
12	1/2"	3/4"-16UNF	10	62,5	35	22	AGJ 12 - 3/4"
12	1/2"	7/8"-14UNF	10	66,5	36,5	27	AGJ 12 - 7/8"
16	5/8"	7/8"-14UNF	12,5	69,5	39	27	AGJ 16 - 7/8"
16	5/8"	1.1/16"-12UNF	12,5	71	38,5	32	AGJ 16 - 1. 1/16"
19	3/4"	1.1/16"-12UNF	15,5	78,5	44	32	AGJ 20 - 1. 1/16"
19	3/4"	1.5/16"-12UNF	15,5	80,5	41,5	38	AGJ 20 - 1. 5/16"
25	1"	1.5/16"-12UNF	20	94,5	48	38	AGJ 25 - 1. 5/16"
31	1.1/4"	1.5/8"-12UNF	26	108,5	53	46	AGJ 32 - 1.5/8"
38	1.1/2"	1.7/8"-12UNF	32	123,5	53,5	50	AGJ 40 - 1.7/8"
51	2"	2.1/2"-12UNF	On request				AGJ 50 - 2.1/2"

## 5.1 Visokotlačni hidraulični priključci (High pressure hydraulic hose fittings)

### ORFS

Tip priključka: ravna nosiva površina, UNF navoj

Type connection: straight flat sealing, UNF thread



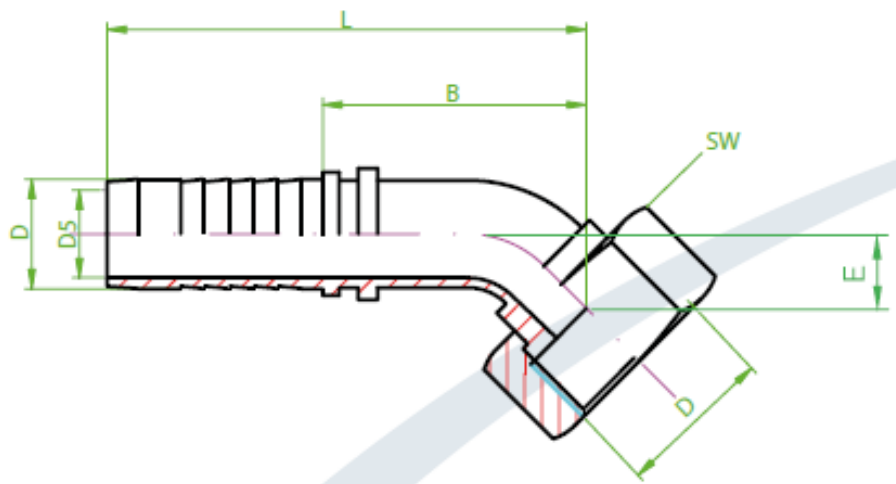
Hose bore		Thread	Dimensions, mm				Marking
DN	inch	D	D5	L ±3	B ±3	SW	
6	1/4"	9/16"-18	4	48	21	17	ORFS 06 - 9/16"
6	1/4"	11/16"-16	4	49	22	22	ORFS 06 - 11/16"
8	5/16"	11/16"-16	5,5	49	22	22	ORFS 08 - 11/16"
10	3/8"	9/16"-18	4	52	22	17	ORFS 010 - 9/16"
10	3/8"	11/16"-16	7	54	24	22	ORFS 10 - 11/16"
10	3/8"	13/16"-16	7	52	22	24	ORFS 10 - 13/16"
12	1/2"	11/16"-16	7	55	24	22	ORFS 12 - 11/16"
12	1/2"	13/16"-16	10	52	21	24	ORFS 12 - 3/4"
12	1/2"	1"-14	10	56	25	30	ORFS 12 - 1"
16	5/8"	13/16"-16	10	60	26	24	ORFS 16 - 13/16"
16	5/8"	1"-16	13	55	31	30	ORFS 16 - 1"
16	5/8"	1.3/16"-12	13	61	27	36	ORFS 20 - 1. 3/16"
19	3/4"	1.3/16"-12	15	73	34	36	ORFS 20 - 1. 3/16"
19	3/4"	1.7/16"-12	15	71	32	41	ORFS 20 - 1. 7/16"
25	1"	1.7/16"-12	21	83	37	41	ORFS 25 - 1.7/16"
25	1"	1.11/16"-12	21	80	33	50	ORFS 25 - 1.11/16"
31	1.1/4"	1.11/16"-12	27	91	36	50	ORFS 32 - 1. 11/16"
31	1.1/4"	2"-12	27	92	38	60	ORFS 32 - 2"
38	1.1/2"	2"-12	33	96	39	60	ORFS 40 - 2"

## 5.1 Visokotlačni hidraulični priključci (High pressure hydraulic hose fittings)

### ORFS 45°

Tip priključka: ravna nosiva površina, UNF navoj

Type connection: straight flat sealing, UNF thread



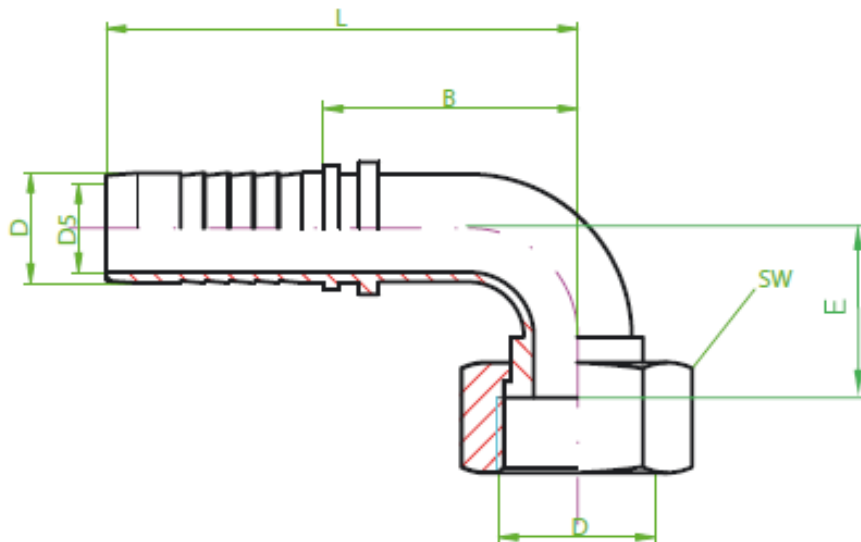
Hose bore		Thread	Dimensions, mm					Marking
DN	inch	D	D5	L ±3	B ±3	E ±3	SW	
6	1/4"	9/16"-18	4	62	35	13	17	ORFS 06 -45°- 9/16"
6	1/4"	11/16"-16	4	62	35	13	22	ORFS 06 -45°- 11/16"
8	5/16"	11/16"-16	5,5	64	37	15	22	ORFS 08 -45°- 11/16"
10	3/8"	9/16"-18	4	80	50	18	17	ORFS 10 -45°- 9/16"
10	3/8"	11/16"-16	7	65	36	15	22	ORFS 10 -45°- 11/16"
10	3/8"	13/16"-16	7	67	37	15	24	ORFS 10 -45°- 13/16"
12	1/2"	11/16"-16	7	94	63	21	22	ORFS 12 -45°- 11/16"
12	1/2"	13/16"-16	10	79	48	20	24	ORFS 12 -45°- 3/4"
12	1/2"	1"-14	10	79	49	17	30	ORFS 12 -45°- 1"
16	5/8"	13/16"-16	10	103	69	24	24	ORFS 16 -45°- 13/16"
16	5/8"	1"-16	12,8	94	61	26	30	ORFS 16 -45°- 1"
16	5/8"	1.3/16"-12	12,7	95	62	27	36	ORFS 20 -45°- 1. 3/16"
19	3/4"	1.3/16"-12	15	114	75	28	36	ORFS 20 -45°- 1. 3/16"
19	3/4"	1.7/16"-12	15	114	75	33	41	ORFS 20 -45°- 1. 7/16"
25	1"	1.7/16"-12	21	127	81	35	41	ORFS 25 -45°- 1.7/16"
25	1"	1.11/16"-12	21	130	83	35	50	ORFS 25 -45°- 1.11/16"
31	1.1/4"	1.11/16"-12	26,8	160	106	45	50	ORFS 32 -45°- 1. 11/16"
31	1.1/4"	2"-12	26,8	168	113	45	60	ORFS 32 -45°- 2"
38	1.1/2"	2"-12	33	173	116	53	60	ORFS 40 -45°- 2"

## 5.1 Visokotlačni hidraulični priključci (High pressure hydraulic hose fittings)

### ORFS 90°

Tip priključka: ravna nosiva površina, UNF navoj

Type connection: straight flat sealing, UNF thread



Hose bore		Thread	Dimensions, mm					Marking	
DN	inch	D	D5	L ±3	B ±3	E ±3	SW		
6	1/4"	9/16"-18	4	55	28	27	17	ORFS 06 -90°- 9/16"	
6	1/4"	11/16"-16	4	54	27	27	22	ORFS 06 -90°- 11/16"	
8	5/16"	11/16"-16	5,5	58	31	29	22	ORFS 08 -90°- 11/16"	
10	3/8"	9/16"-18	4	73	43	30	17	ORFS 10 -90°- 9/16"	
10	3/8"	11/16"-16	7	60	30	28	22	ORFS 10 -90°- 11/16"	
10	3/8"	13/16"-16	7	59	29	31	24	ORFS 10 -90°- 13/16"	
12	1/2"	11/16"-16	7	80	49	45	22	ORFS 12 -90°- 11/16"	
12	1/2"	13/16"-16	10	72	41	40	24	ORFS 12 -90°- 3/4"	
12	1/2"	1"-14	10	72	41	41	30	ORFS 12 -90°- 1"	
16	5/8"	13/16"-16	10	86	52	40	24	ORFS 16 -90°- 13/16"	
16	5/8"	1"-16	12,8	86	52	49	30	ORFS 16 -90°- 1"	
16	5/8"	1.3/16"-12	12,8	85	51	50,5	36	ORFS 20 -90°- 1. 3/16"	
19	3/4"	1.3/16"-12	14,8	99	60	58	36	ORFS 20 -90°- 1. 3/16"	
19	3/4"	1.7/16"-12	14,8	99	60	60	41	ORFS 20 -90°- 1. 7/16"	
25	1"	1.7/16"-12	21	114	68	67	41	ORFS 25 -90°- 1.7/16"	
25	1"	1.11/16"-12	21,1	114	68	70	50	ORFS 25 -90°- 1.11/16"	
31	1.1/4"	1.11/16"-12	26,8	149	95	84,5	50	ORFS 32 -90°- 1. 11/16"	
31	1.1/4"	2"-12	On request					50	ORFS 32 -90°- 2"
38	1.1/2"	2"-12	33	162	105	104	60	ORFS 40 -90°- 2"	

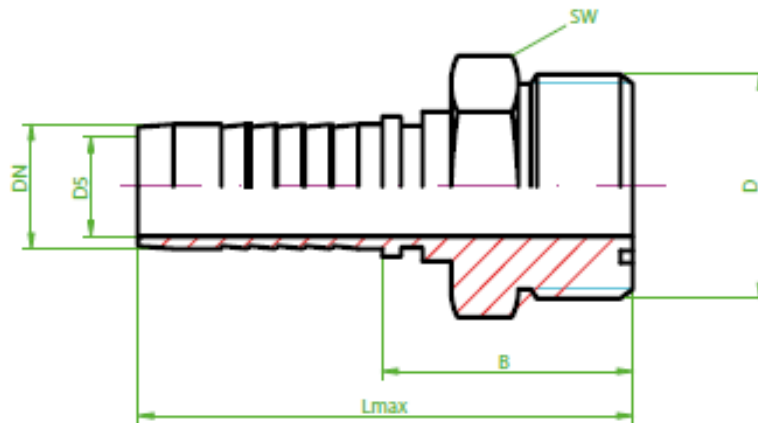


## 5.1 Visokotlačni hidraulični priključci (High pressure hydraulic hose fittings)

### ORS

Tip priključka: ravna nosiva površina, UNF navoj

Type connection: straight flat sealing, UNF thread



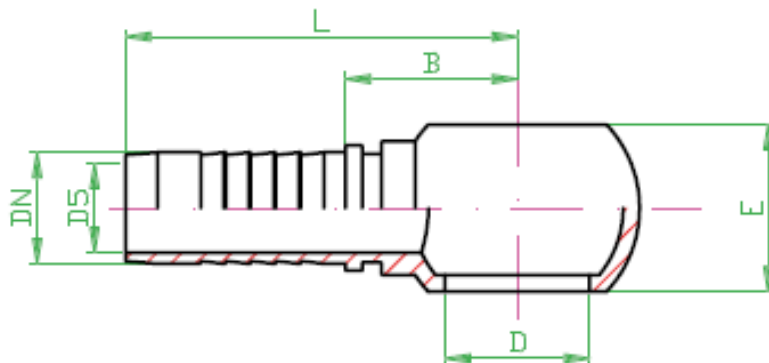
Hose bore		Thread	Dimensions, mm				Marking
DN	inch	D	D5	L ±3	B ±3	SW	
6	1/4"	9/16"	4	58	31	17	ORS 06 - 9/16"
8	5/16"	11/16"	7	60	33	19	ORS 08 - 11/16"
10	3/8"	11/16"	7	62	32	19	ORS 10 - 11/16"
12	1/2"	13/16"	10	67	36	22	ORS 12 - 13/16"
16	5/8"	1"	13	75	40	27	ORS 16 - 1"
16	5/8"	1.3/16"	13	78	44	32	ORS 16 - 1.3/16"
19	3/4"	1.3/16"	15	86	46	32	ORS 20 - 1.3/16"
25	1"	1.7/16"	20	96	50	41	ORS 25 - 1.7/16"
31	1.1/4"	1.11/16"	27	107	53	46	ORS 32 - 1.11/16"
38	1.1/2"	2"	32	111	54	55	ORS 40 - 2"

## 5.1 Visokotlačni hidraulični priključci (High pressure hydraulic hose fittings)

### RN

Tip priključka: metrički protočni vijak

Type connection: metric flow screw



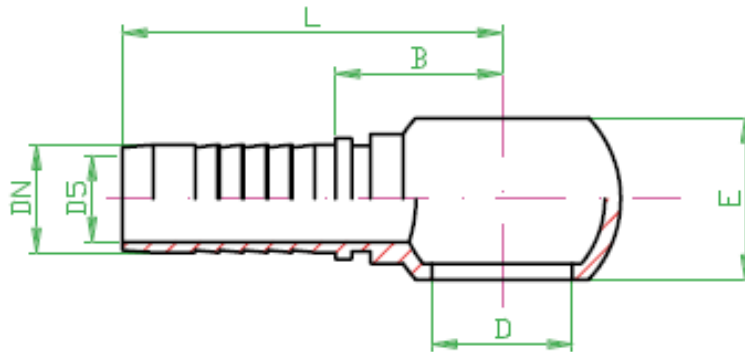
Hose bore		Thread	Dimensions, mm				Marking
DN	inch	D	D5	L ±3	B ±3	E ±3	
6	1/4"	M10x1	3,5	57	29		RN 06 - 10
6	1/4"	M12x1,5	3,5	48	21	12	RN 06 - 12
6	1/4"	M14x1,5	3,5	50	23	14	RN 06 - 14
8	5/16"	M12x1,5	3,5				RN 08 - 12
8	5/16"	M14x1,5	3,5	52	23,5	14	RN 08 - 14
8	5/16"	M16x1,5	3,5	55	26,5	16	RN 08 - 16
10	3/8"	M14x1,5	7	63	33		RN 10 - 14
10	3/8"	M16x1,5	7	55	26,5	16	RN 10 - 16
10	3/8"	M18x1,5	7	57	28,5	20	RN 10 - 18
12	1/2"	M16x1,5	10	69	37		RN 12 - 16
12	1/2"	M18x1,5	10	59	29	20	RN 12 - 18
12	1/2"	M22x1,5	10	74	42		RN 12 - 22
16	5/8"	M22x1,5	12,8	77,5	44		RN 16 - 22
19	3/4"	M26x1,5	15	89	50		RN 20 - 26

## 5.1 Visokotlačni hidraulični priključci (High pressure hydraulic hose fittings)

### RN-R

Tip priključka: BSP protočni vijak

Type connection: BSP flow screw



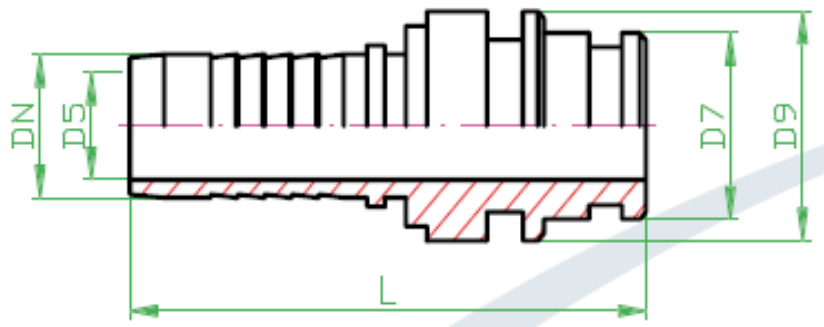
Hose bore		Thread	Dimensions, mm				Marking
DN	inch	D	D5	L ±3	B ±3	E ±3	
6	1/4"	1/8"	3,5	57	29		RN-R 06 - 1/8"
6	1/4"	1/4"		50	23	14	RN-R 06 - 1/4"
6	1/4"	3/8"		50	23	17	RN-R 06 - 3/8"
8	5/16"	1/4"	5,5	61	33		RN-R 08 - 1/4"
8	5/16"	3/8"		55	26,5	17	RN-R 08 - 3/8"
10	3/8"	1/4"	7	63	33		RN-R 10 - 1/4"
10	3/8"	3/8"		55	26,5	17	RN-R 10 - 3/8"
10	3/8"	1/2"		57	28,5	22	RN-R 10 - 1/2"
12	1/2"	3/8"	7	69	37		RN-R 12 - 3/8"
12	1/2"	1/2"		59	29	22	RN-R 12 - 1/2"
16	5/8"	1/2"	13	78	44		RN-R 16 - 1/2"
16	5/8"	3/4"		67,5	34,5	30	RN-R 16 - 3/4"
19	3/4"	1/2"	13	86	47		RN-R 20 - 1/2"
19	3/4"	3/4"		14,5	35,5	30	RN-R 20 - 3/4"
25	1"	3/4"	15	97	50		RN-R 25 - 3/4"
25	1"	1"		94	41,5	36	RN-R 25 - 1"

## 5.1 Visokotlačni hidraulični priključci (High pressure hydraulic hose fittings)

### STECK

Tip priključka: STECKO spoj

Type connection: STECKO connecting



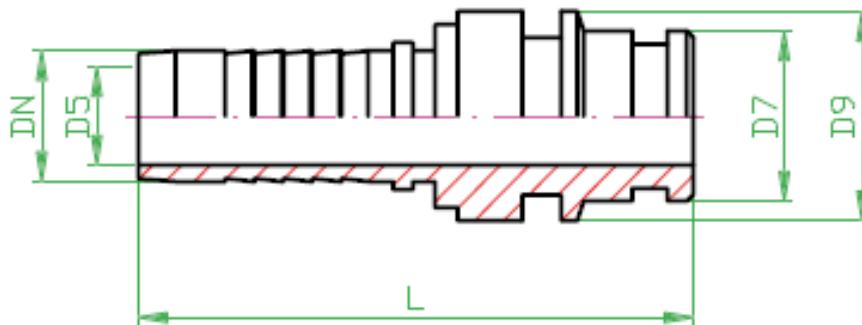
Hose bore		Dimensions, mm				O-Ring	Supp.	Marking
DN	inch	D5	D7	D9	Lmax			
6	1/4"	4	10	15	70	6x2	6,8/10,1	STECK 06
8	5/16"	7	14	20	75	10x2	10,8/14,1	STECK 08
10	3/8"	7	14	20	80	10x2	10,8/14,1	STECK 10
12	1/2"	9,4	18	24	85	13x2,5	14,0/18,1	STECK 12
16	5/8"	12	21	26	90	16x2,5	17,0/21,1	STECK 16
19	3/4"	15	24	29	100	19x2,5	20,0/24,1	STECK 20
25	1"	20	31	39	115	25x2,5	27,0/31,1	STECK 25
31	1.1/4"	26	38	46	120	33x2,5	34,0/38,1	STECK 32
38	1.1/2"	33	47	55	110	33x2,5	34,0/38,1	STECK 40

## 5.1 Visokotlačni hidraulični priključci (High pressure hydraulic hose fittings)

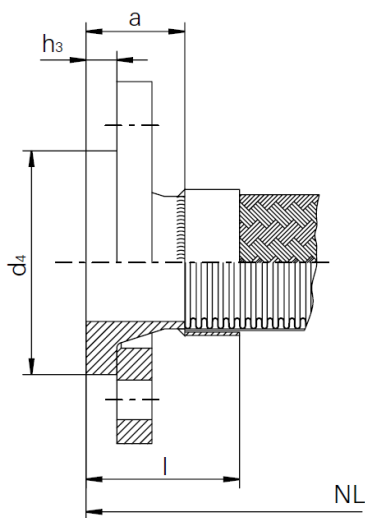
### DVP

Tip priključka: STECKO spoj

Type connection: STECKO connecting



Hose bore		Dimensions, mm				O-Ring	Supp.	Marking
DN	inch	D5	D7	D9	Lmax			
6	1/4"	4,2	12	18	80	8x2	6,8/10,1	DVP 06
8	5/16"	6,2	16	18	80	12x2	10,8/14,1	DVP 08
10	3/8"	8	18	22	85	13x2,5	10,8/14,1	DVP 10
12	1/2"	11	20	22	90	15x2,5	14,0/18,1	DVP 12
16	5/8"	14	22	25	95	17x2,5	17,0/21,1	DVP 16
19	3/4"	18	30	32	105	25x4,5	20,0/24,1	DVP 20
25	1"	22,5	36	38	120	31x4,5	27,0/31,1	DVP 25
31	1.1/4"	29	44	46	130	35x4,5	34,0/38,1	DVP 32

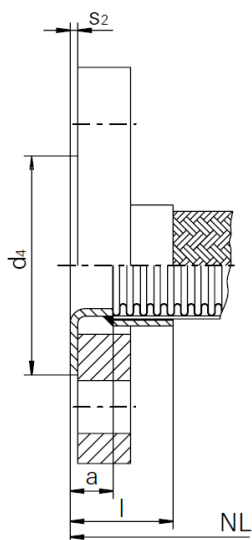


**Tip AB 12/82E**

Prirubnički spoj, okretno, ogrlica za zavarivanje (čelik ili nehrđajući čelik 1.4541 ili 1.4571), slobodna prirubnica (čelik ili nehrđajući čelik 1.4541 ili 1.4571)

**Type AB 12/82E**

Flange connection, swivelling, welding collar (steel or stainless steel 1.4541 or 1.4571), loose flange (steel or stainless steel 1.4541 or 1.4571)

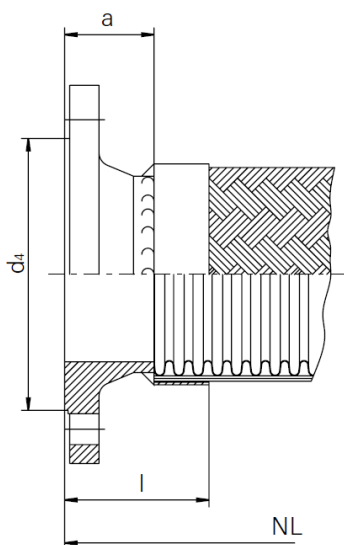


**Tip CA 82 E (82/22)**

Prirubnički spoj, okretno, ogrlica za zavarivanje (čelik ili nehrđajući čelik 1.4541 ili 1.4571), slobodna prirubnica (čelik ili nehrđajući čelik 1.4541 ili 1.4571)

**Type CA 82 E (82/22)**

Flange connection, swivelling, welding collar (steel or stainless steel 1.4541 or 1.4571), loose flange (steel or stainless steel 1.4541 or 1.4571)



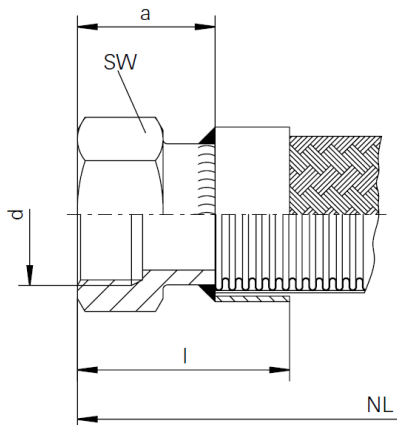
**Tip GB 12/22E (GB12/22/82)**

Prirubnički spoj, fiksna prirubnica (čelik ili nehrđajući čelik 1.4541 ili 1.4571)

**Type GB 12/22E (GB12/22/82)**

Flange connection, fixed (steel or stainless steel 1.4541 or 1.4571)

## 5.2 Priključci za metalna fleksibilna crijeva (Metal flexible hose fittings)

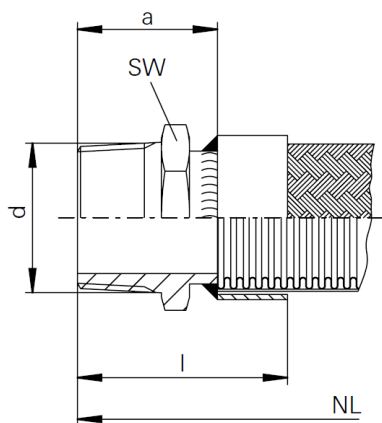


### Tip LA 12S/22S/52S

Šesterokutni nastavak sa Whitworthovim unutarnjim navojem DIN EN 10226 (ISO 7/1) (mesing, čelik ili nehrđajući čelik 1.4541 ili 1.4571)

### Type LA 12S/22S/52S

Hexagon socket with Whitworth internal thread DIN EN 10226 (ISO 7/1) (brass, steel or stainless steel 1.4541 or 1.4571)

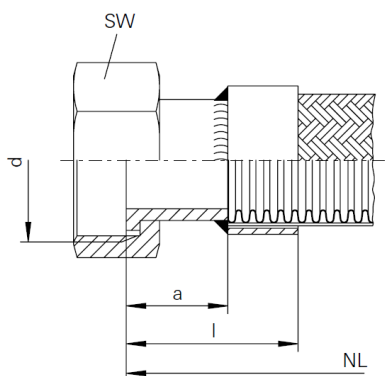


### Tip MH 02/12/22/52S

Šesterokutni nipl sa Whitworthovim vanjskim navojem DIN EN 10226 (ISO 7/1) (mesing, čelik ili nehrđajući čelik 1.4541 ili 1.4571)

### Type MH 02/12/22/52S

Hexagon nipple with Whitworth external thread DIN EN 10226 (ISO 7/1) (brass, steel or stainless steel 1.4541 or 1.4571)

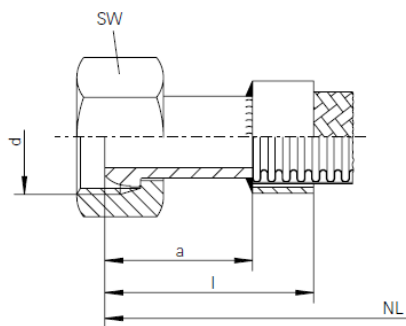


### Tip NA 12/22/52S

Obrubna cijev, ravno brtvljenje, spojna matica s Whitworthovim navojem ISO 228/1 (mesing, čelik ili nehrđajući čelik 1.4541 ili 1.4571)

### Type NA 12/22/52S

Collar pipe, flat sealing, union nut with Whitworth pipe thread ISO 228/1 (brass, steel or stainless steel 1.4541 or 1.4571)

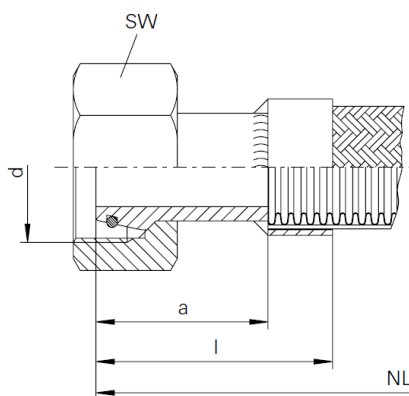


**Tip NF 12/22/52S**

Kuglasta čahura DIN 3863, preklopna matica s Whitworthovim navojem za cijevi ISO 228/1 (mesing, čelik ili nehrđajući čelik 1.4541 ili 1.4571)

**Type NF 12/22/52S**

Ball type bushing DIN 3863, union nut with Whitworth pipe thread ISO 228/1 (brass, steel or stainless steel 1.4541 or 1.4571)

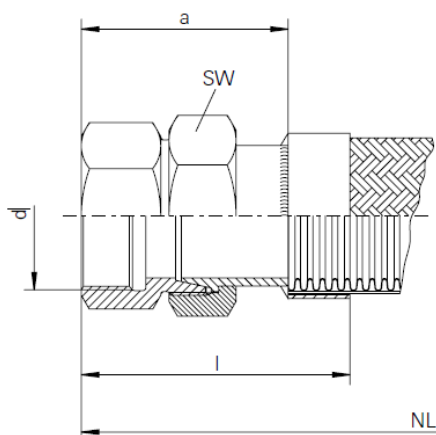


**Tip NN 12/22Q, 12/22R**

Navojni priključak, zakretni 24° brtveni konus s O-ringom, preklopna matica DIN ISO 12151-2, izrađeno od čelika ili nehrđajućeg čelika 1.4541 ili 1.4571 (preklopna matica 1.4571)

**Type NF 12/22/52S**

Threaded connection, swivelling 24° sealing cone with O-ring, union nut DIN ISO 12151-2, made of steel or stainless steel 1.4541 or 1.4571 (union nut 1.4571)



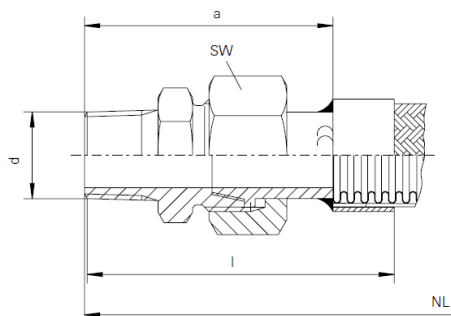
**Tip QB 12/22/52W/92S**

Priključak s navojem, konusno brtvljenje, Whitworth unutarnji navoj DIN EN 10226 (ISO 7/1) (mesing, čelik, nehrđajući čelik 1.4541 ili 1.4571) (preklopna matica 1.4301)

**Type QB 12/22/52W/92S**

Threaded fitting, conical sealing, Whitworth internal thread DIN EN 10226 (ISO 7/1) (brass, steel, stainless steel 1.4541 or 1.4571) (union nut 1.4301)

## 5.2 Priključci za metalna fleksibilna crijeva (Metal flexible hose fittings)

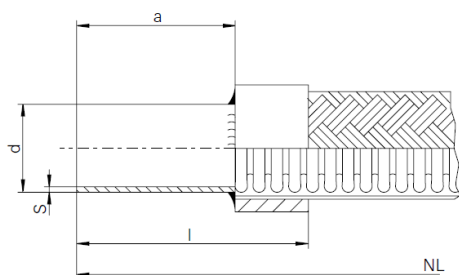


### Tip RF 12/22/52W

Priključak s navojem, konusno brtvljenje 24°, Whitworth vanjski navoj DIN EN 10226 (ISO 7/1) (mesing, čelik, nehrđajući čelik 1.4541 ili 1.4571) (preklopna matica 1.4301)

### Type RF 12/22/52W

Threaded fitting, conical sealing 24°, Whitworth external thread DIN EN 10226 (ISO 7/1) (brass, steel, stainless steel 1.4541 or 1.4571) (union nut 1.4301)



### Tip UA 12/22S (UD 12/22Q)

Cijevni nastavak za zavarivanje s ISO cijevnim dimenzijama (čelik, nehrđajući čelik 1.4541 ili 1.4571)

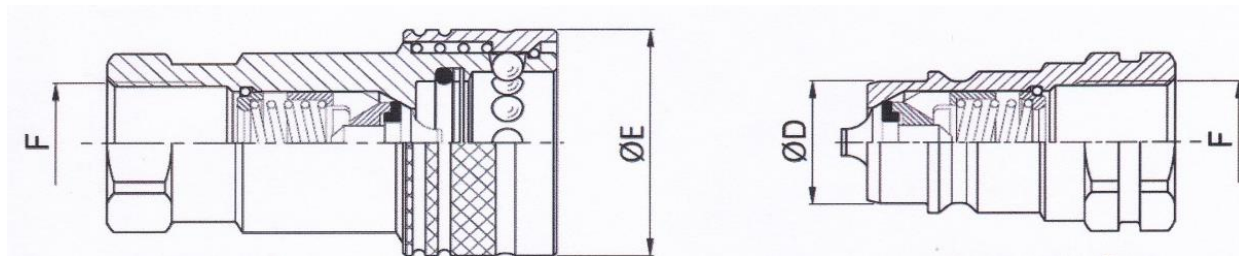
### Type UA 12/22S (UD 12/22Q)

Welding end with ISO pipe dimensions (steel, stainless steel 1.4541 or 1.4571)

### 5.3 Brze spojke (Quick release couplings)

#### Brza spojnica PAV1 (Quick release coupling PAV1)

ISO 7241-1 A



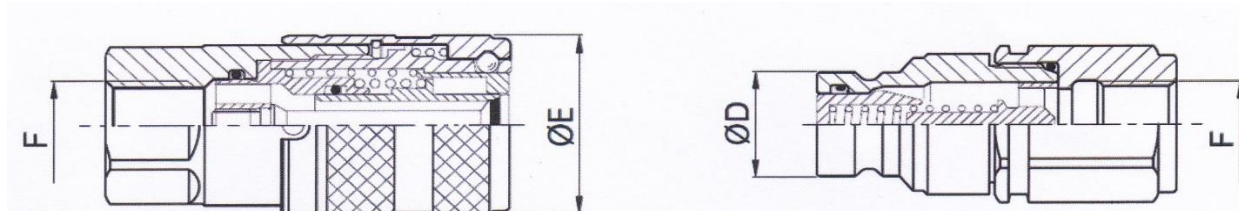
**BS PAV1 ŽENSKA (FEMALE)**

**BS PAV1 MUŠKA (MALE)**

DN	φD, mm	φE, mm	Thread F	Working pressure
6	11,85	10	IG 1/4" BSP	350 bar
10	17,3	10	IG 3/8" BSP	350 bar
13	20,55	10	IG 1/2" BSP	250 bar
13	20,55	10	IG M22x1,5	250 bar
20	29,1	10	IG 3/4" BSP	250 bar
25	34,35	10	IG 1" BSP	200 bar

#### Brza spojnica PLT4 (Quick release coupling PLT4)

ISO 16028



**BS PLT4 ŽENSKA (FEMALE)**

**BS PLT4 MUŠKA (MALE)**

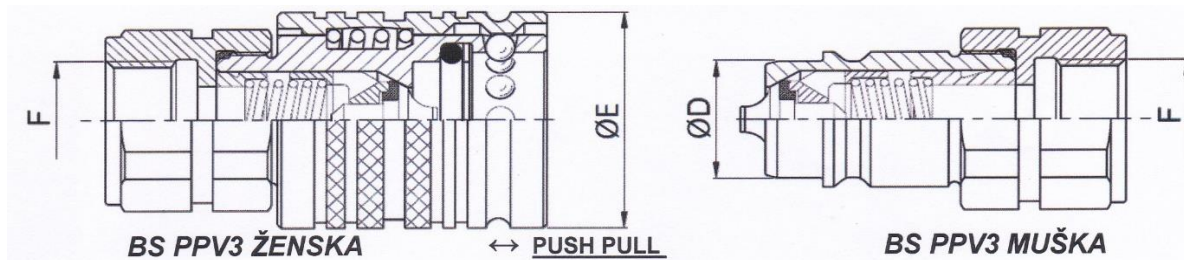
DN	φD, mm	φE, mm	Thread F	Working pressure
6	16,2	28	IG 1/4" BSP	400 bar
6	16,2	28	IG 3/8" BSP	400 bar
13	19,76	32	IG 3/8" BSP	350 bar
13	19,76	32	IG 1/2" BSP	350 bar
13	19,76	32	AG M22x1,5	350 bar
20	24,55	38	IG 1/2" BSP	350 bar
20	24,55	38	IG 3/4" BSP	350 bar
20	24,55	38	IG 1 1/16 UNF	350 bar
22	27,05	42	IG 1/2" BSP	350 bar
22	2,05	42	IG 3/4" BSP	350 bar
25	29,55	48	IG 3/4" BSP	350 bar
25	29,55	48	IG 1" BSP	350 bar
25	29,55	48	IG 1 5/16" BSP	350 bar



### 5.3 Brze spojke (Quick release couplings)

#### Brza spojnica PPV3 (Quick release coupling PPV3 Push-Pull)

##### ISO 241-1 A (PUSH-PULL)

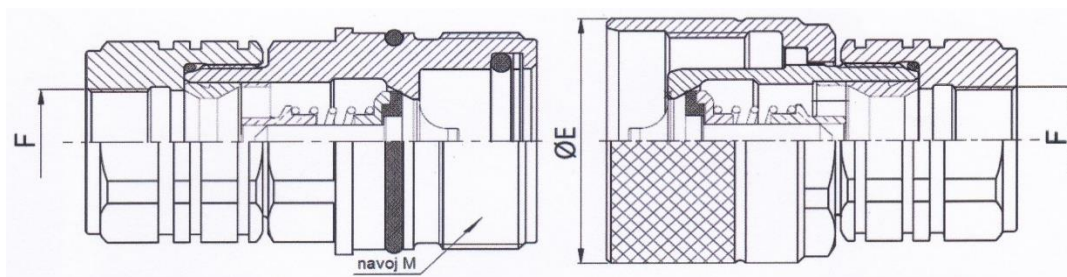


PPV3 FEMALE

PPV3 MALE

DN	$\phi D$ , mm	$\phi E$ , mm	Thread F	Working pressure
6	11,85	26	IG 1/4" BSP	250 bar
10	17,3	31	IG 1/4" BSP	300 bar
10	17,3	31	IG 3/8" BSP	300 bar
10	17,3	31	AG M18x1,5	300 bar
13	20,55	38	IG 3/8" BSP	225 bar
13	20,55	38	IG 1/2" BSP	225 bar
13	20,55	38	IG M22x1,5	225 bar
13	20,55	38	AG M18x1,5	225 bar
13	20,55	38	AG M22x1,5	225 bar
20	29,1	46	IG 3/4" BSP	225 bar
20	29,1	46	AG M30x2	225 bar
25	34,35	54	IG 1" BSP	225 bar

#### Brza spojnica PPV3 (Quick release coupling PPV3)



PPV3 FEMALE

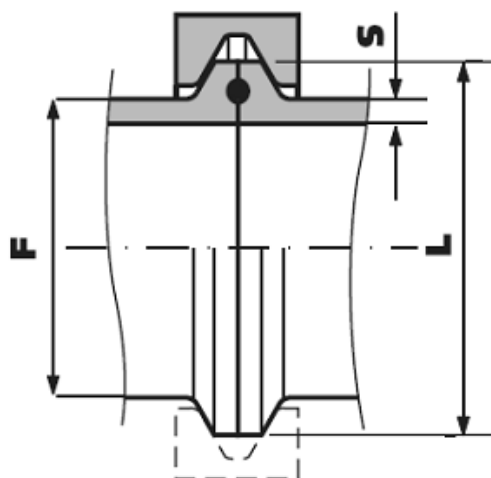
PPV3 MALE

DN	Thread M	$\phi E$ , mm	Thread F	Working pressure
13	M36x2	42	IG 1/2" BSP	300 bar
20	M42x2	47,5	IG 3/4" BSP	250 bar
25	M48x3	55	IG 1" BSP	200 bar



### 5.3 Brze spojke (Quick release couplings)

#### Tri-clamp priključci (Triclamp fittings)



Tri clamp BS 4825				Tri clamp ISO 2852				Tri clamp DIN 3266			
DN, inch	L, mm	F, mm	S, mm	DN, inch	L, mm	F, mm	S, mm	DN, inch	L, mm	F, mm	S, mm
1/2	25,1	12,7	1,65	10	34	17,2	1,6	10	34	12	1,5
3/4	25,1	19,05	1,65	15	34	21,3	1,6	15	34	18	1,5
1	50,4	25,4	1,65	20	50,4	26,9	1,6	20	34	22	1,5
1 1/2	50,4	38,1	1,65	25	50,4	33,7	1,6	25	50,4	28	1,5
2	64	50,8	1,65	32	50,4	42,4	1,6	32	50,4	34	1,5
2 1/2	77,4	63,5	1,65	40	64	48,3	1,6	40	50,4	40	1,5
3	90,9	76,1	1,65	50	77,4	60,3	2	50	64	52	1,5
4	118,8	101,6	2,11	65	90,9	76,2	2	65	90,9	70	2
6	167	152,4	2,77	80	106	88,9	2	80	106	85	2
8	217,4	203,2	2,77	100	130	114,3	2	100	118,8	104	2
10	268,5	254	3,56	125	155	139,7	3	125	155	129	2
12	319,3	304,8	3,56	150	183	168,3	3	150	183	154	2
				200	233,5	219,1	3	200	233,5	204	2
				250	319,3	273	3	250	268,5	254	3
								300	319,3	305	3

### 5.3 Brze spojke (Quick release couplings)

#### KAMLOK spojke (KAMLOK quick release couplings)

DIN EN 14420-7

KAMLOK spojka ženska (Female Kamlok)

Material: 1.4401

Navoj (Thread): NBR

Tlak (Pressure): 16 bar



DN	inch	External thread	Sealing diameter, mm	Working pressure, bar	Weight, kg
15	1/2"	R 1/2"	24,5	25	0,13
20	3/4"	R 3/4"	32,4	25	0,233
25	1"	R 1"	37,36	25	0,343
32	5/4"	R 1 1/4"	46	25	0,592
40	6/4"	R 1 1/2"	54	25	0,694
50	2"	R 2"	63,8	25	0,708
65	2 1/2"	R 2 1/2"	76,5	25	1,007
80	3"	R 3"	92,2	25	1,438
100	4"	R 4"	120,3	25	1,998

DIN EN 14420-7

KAMLOK spojka muška (Male Kamlok)

Material: 1.4401

Navoj (Thread): NBR

Tlak (Pressure): 16 bar



DN	inch	External thread	Sealing diameter, mm	Working pressure, bar	Weight, kg
15	1/2"	R 1/2"	24	25	0,103
20	3/4"	R 3/4"	32,1	25	0,185
25	1"	R 1"	36,7	25	0,258
32	5/4"	R 1 1/4"	45,5	25	0,477
40	6/4"	R 1 1/2"	53,4	25	0,565
50	2"	R 2"	63	25	0,65
65	2 1/2"	R 2 1/2"	75,8	25	1,317
80	3"	R 3"	91,5	25	1,766
100	4"	R 4"	119,5	25	2,804



### 5.3 Brze spojke (Quick release couplings)

#### STORZ priljucci (STORZ couplings)

Aluminum, forged version

Gasket NBR black

Industrial version



Nominal size	Cleat distance, mm	Hose size, mm	Nozzle length, mm	Working pressure, bar	Negative pressure, bar	Norm	Weight, kg (Aluminium)
25-D	31	15/13	55	16	1	-	0,09
25-D	31	21/19	55	16	1	-	0,1
25-D	31	25	53	16	1	DIN 14 301	0,09
38-H	51	25	90	16	1	-	0,2
38-H	51	32	90	16	1	-	0,21
38-H	51	38	90	16	1	-	0,22
52-C	66	19	90	16	1	-	0,36
52-C	66	25	90	16	1	-	0,37
52-C	66	32	90	16	1	-	0,37
52-C	66	38	90	16	1	-	0,37
52-C	66	42	90	16	1	-	0,38
52-C	66	45	90	16	1	-	0,37
52-C	66	50	90	16	1	-	0,38
52-C	66	52	90	16	1	DIN 14 321	0,37
52-C	66	60	90	16	1	-	0,4
75-B	89	52	125	16	1	-	0,5
75-B	89	65	125	16	1	-	0,51
75-B	89	70	125	16	1	-	0,52
75-B	89	75	125	16	1	DIN 14 322	0,53
75-B	89	80	125	16	1	-	0,77
90	105	75	160	16	1	-	1,02
90	105	90	160	16	1	-	1,09
100	115	100	150	16	1	-	1,15
110-A	133	90	170	16	1	-	1,68
110-A	133	100	170	16	1	-	1,77
110-A	133	110	170	16	1	DIN 14 323	1,66
110-A	133	125	180	16	1	-	2,02
125	148	125	200	16	1	-	2,27
150-F	160	150	180	16	1	-	2,9

### 5.3 Brze spojke (Quick release couplings)

---

#### Spojke za cisterne (Tank truck coupling)



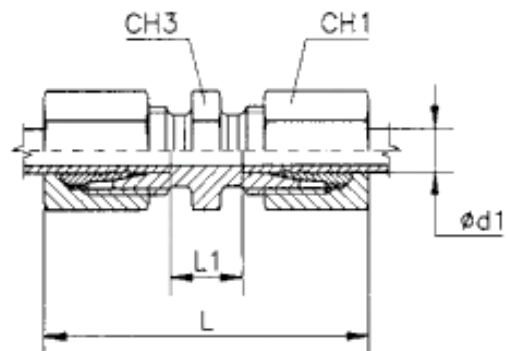
Nehrđajući čelik (Stainless steel)

Muška spojka i ženska s unutarnjim cijevnim navojem prema DIN ISO 228 i priloženom brtvom  
Male and female part with internal pipe thread according to DIN ISO 228 and enclosed thread seal

Internal thread	Working pressure, bar	Negative pressure, bar	Weight, kg
G 2"	16	0,8	0,32
G 3"	16	0,8	0,74
G 4"	16	0,8	1,25

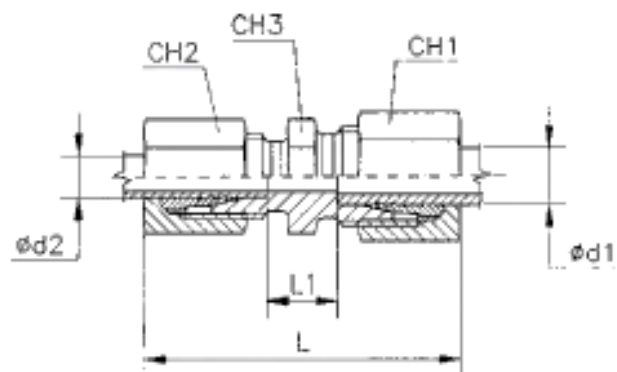
**Ravne spojke (Straight couplings)**

Dimenzije: na upit  
Dimension: on inquiry



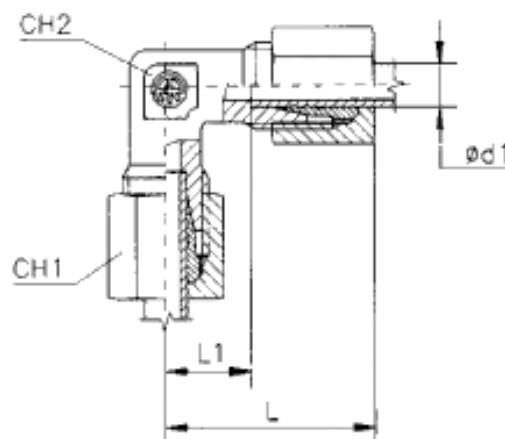
**Ravne redukcije (Reduced straight couplings)**

Dimenzije: na upit  
Dimension: on inquiry



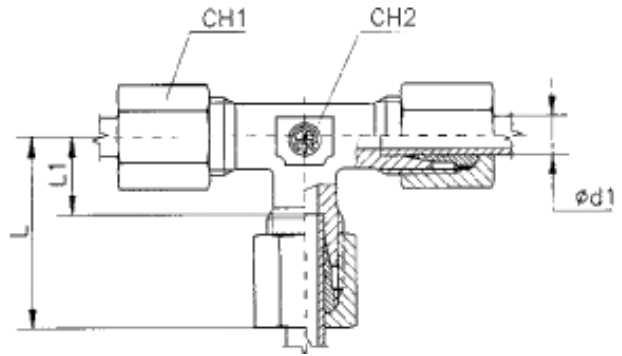
**Kutne spojke (Equal elbows)**

Dimenzije: na upit  
Dimension: on inquiry



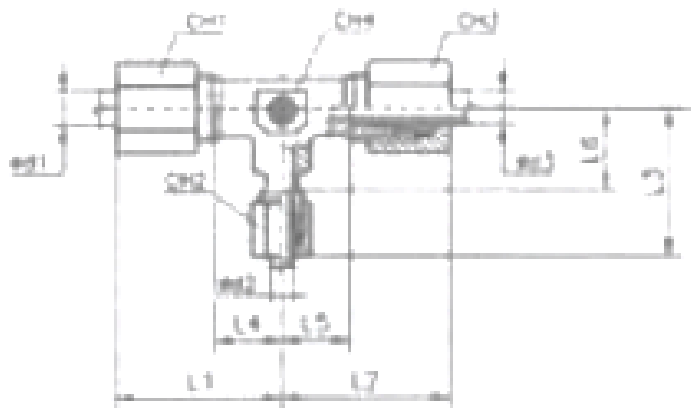
**T - spojke (T – fittings equal)**

Dimenzije: na upit  
Dimension: on inquiry



**T - redukcije (T – fittings reduced)**

Dimenzije: na upit  
Dimension: on inquiry



Rohrflex d.o.o.

Davorina Bazjanca 6, 35000 Slavonski Brod, Croatia

OIB (VAT): HR25888672001

Tel: +385 35 255 800

E-mail: [info@rohrflex.hr](mailto:info@rohrflex.hr)

Director

Slavko Gavran, dipl. ing. str.

Tel: +385 98 439 188

E-mail: [info@rohrflex.hr](mailto:info@rohrflex.hr)

Project manager

Vedran Gavran, mag. ing. mech.

Tel: +385 99 214 2711

E-mail: [vedran.gavran@rohrflex.hr](mailto:vedran.gavran@rohrflex.hr)

